

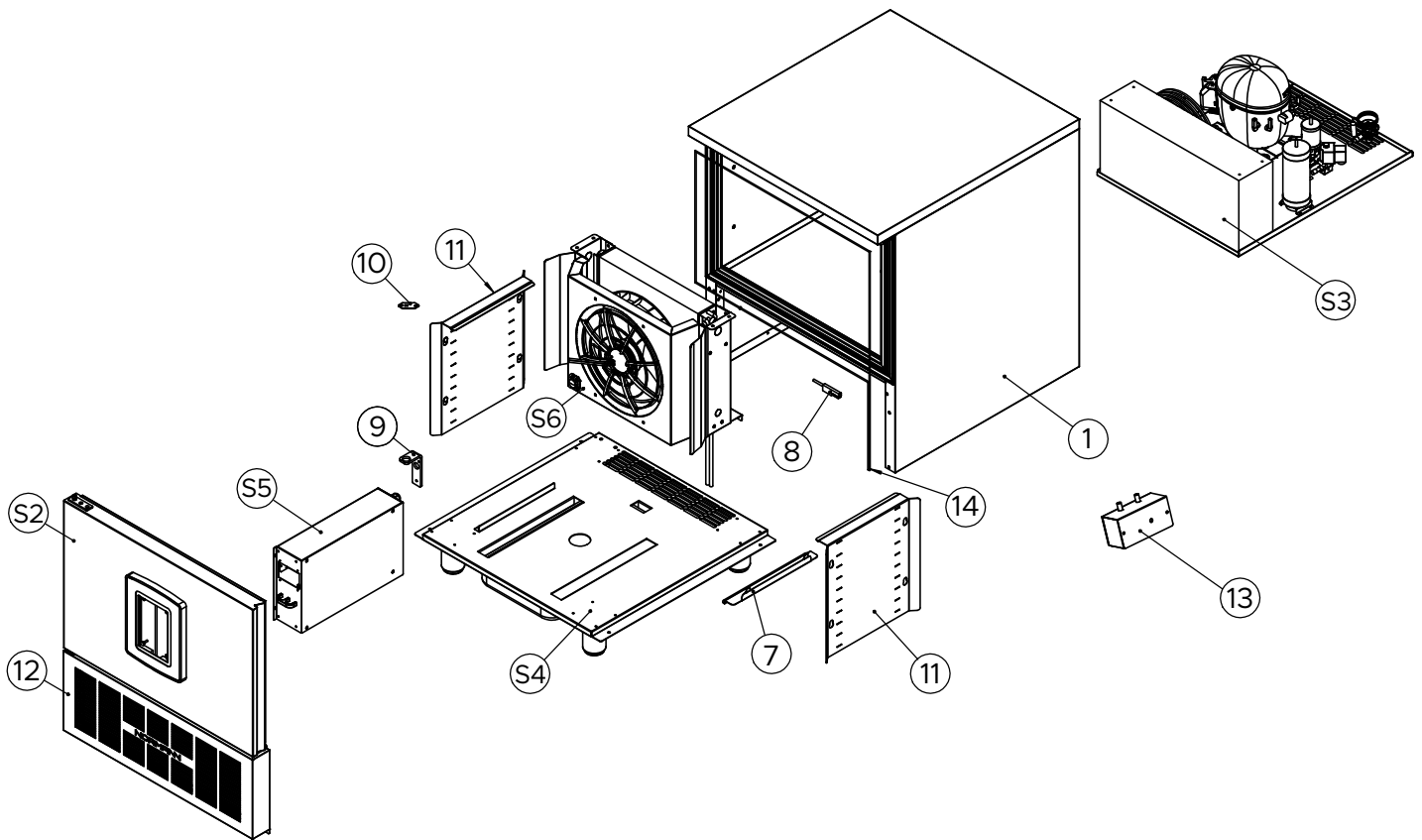
Ersatzteilliste-Explosionszeichnung

Schnellkühler / Schockfroster **SKF 5 GN 1/1**

[Art. 433000002]



5 General Subassembly

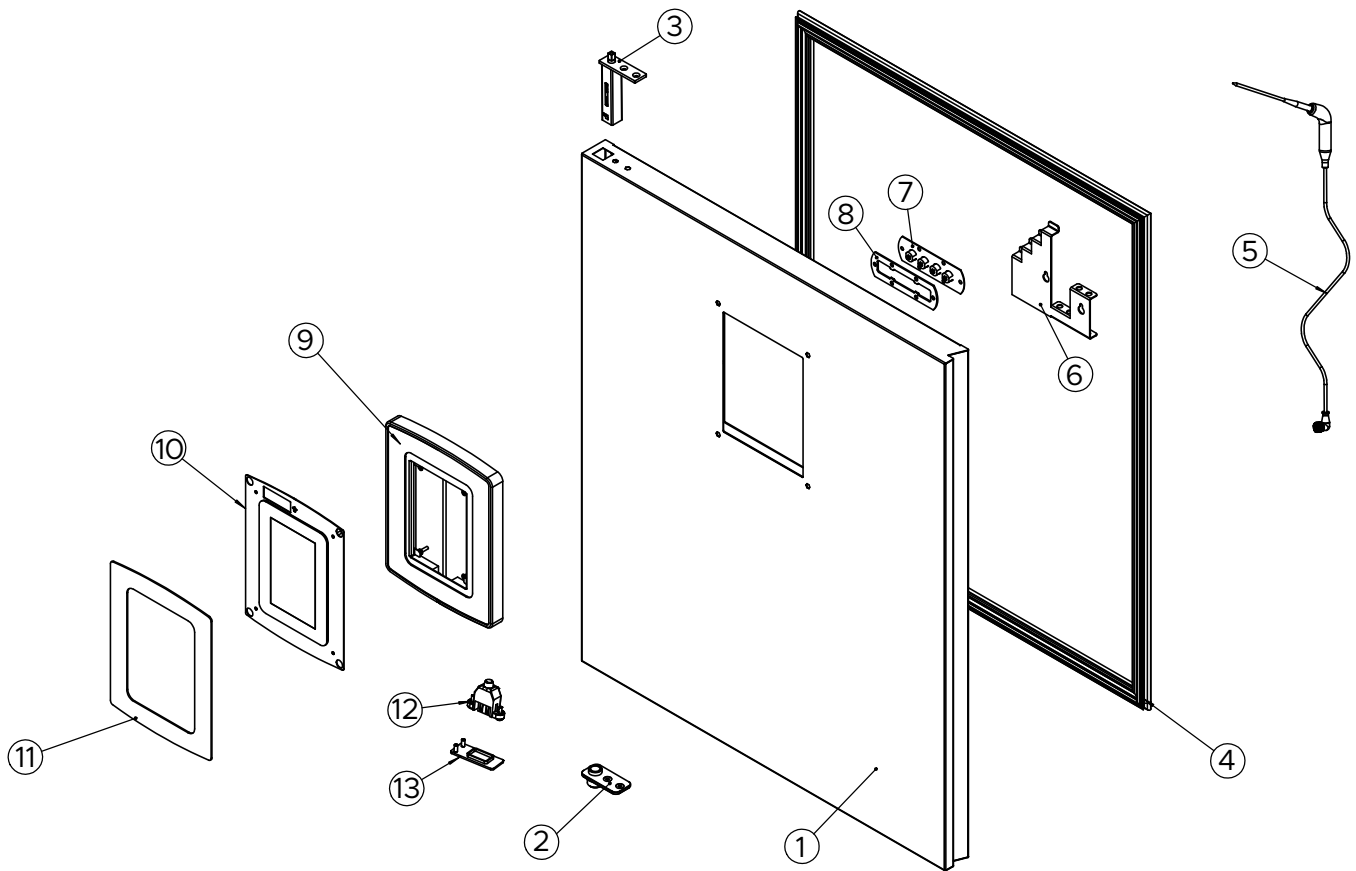


General Subassembly components list

Position	Spare Part Code	Description
1	R450700015	Body
7	R150700001	Guides for GN1/1 and EN 60x40 trays
8	R211700002	Door magnetic sensor with connector
9	R400100001	Lower hinge assembly
10	R150700002	Upper hinge plate
11	R150700005	Trays holder
12	R150300015	Front panel
12	R150300016	Frontal panel Nordcap
13	R240200002	Ozone generator assembly
14	R210200012	Door Heater 24V

5

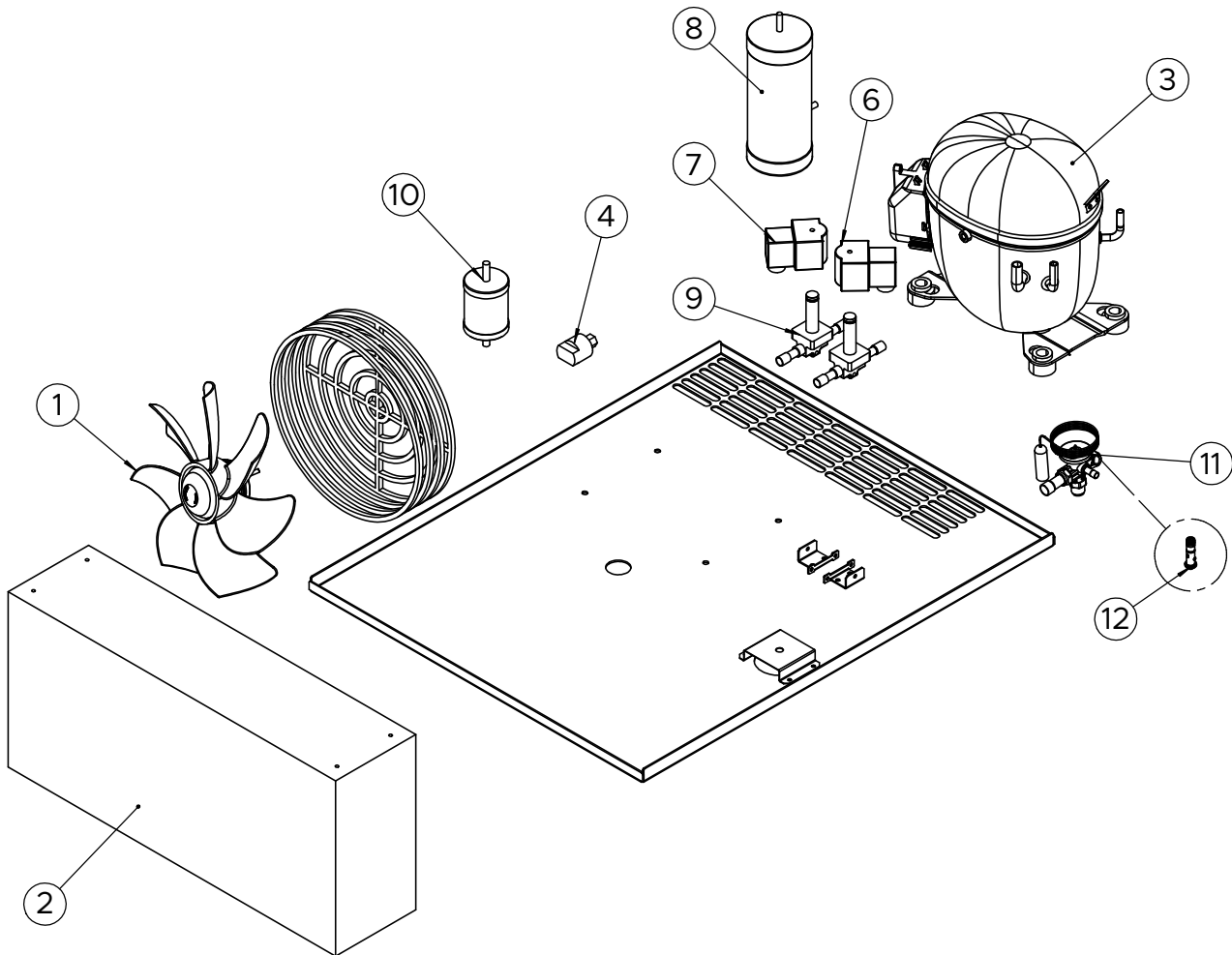
Door Subassembly



Door components list		
Position	Spare Part Code	Description
1	R450700016	Door
2	R251100002	Lower hinge plate
3	R230900001	Upper hinge
4	R250300011	Door gasket
5	R240100003	Heated mutipoint probe 700mm
6	R150700004	Probe holder
7	R211500003	Probe connector
8	R250300003	Probe connector gasket
9	R251100001	Keyboard frame Black
10	R400000005	LCD keyboard
11	R251200001	Magnetic label Nordcap
11	R251200002	Magnetic label
12	R211500001	USB Connector
13	R211500002	USB Cap

5

Condensed Unit Subassembly

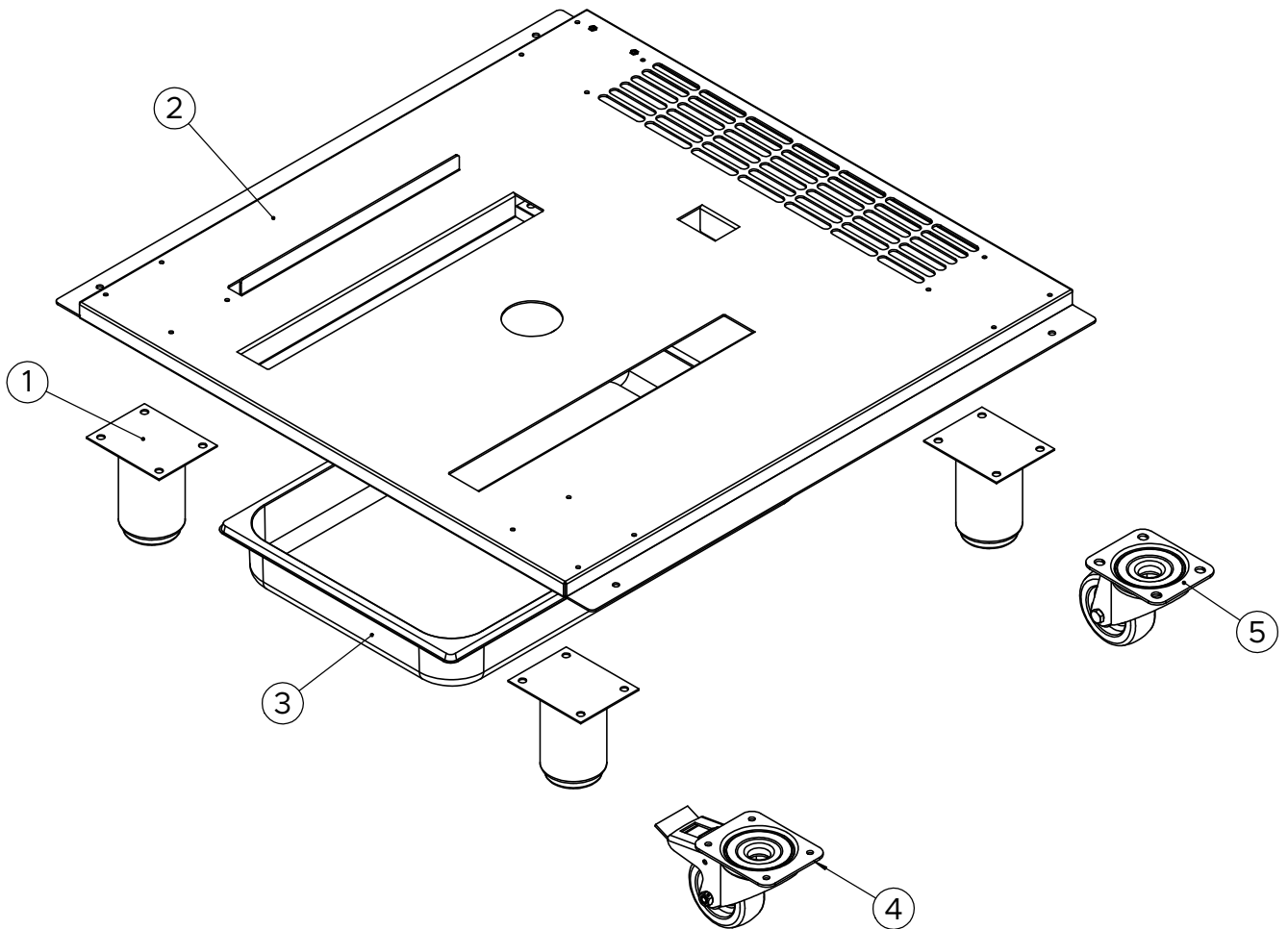


Condensed Unit components list

Position	Spare Part Code	Description
1	R210100006	Condenser fan
2	R220400004	Condenser
3	R221000007	Compressor NT2180GK
4	R221200001	High pressure switch
6	R290100001	Defrosting Solenoid coil 24V
7	R290100002	Solenoid coil 230V
8	R220500004	Liquid receiver
9	R220600007	Filter
10	R290100003	Solenoid valve 10mm
11	R220300003	Danfoss thermostatic valve 068Z3549
12	R220300005	Danfoss Orifice 01

5

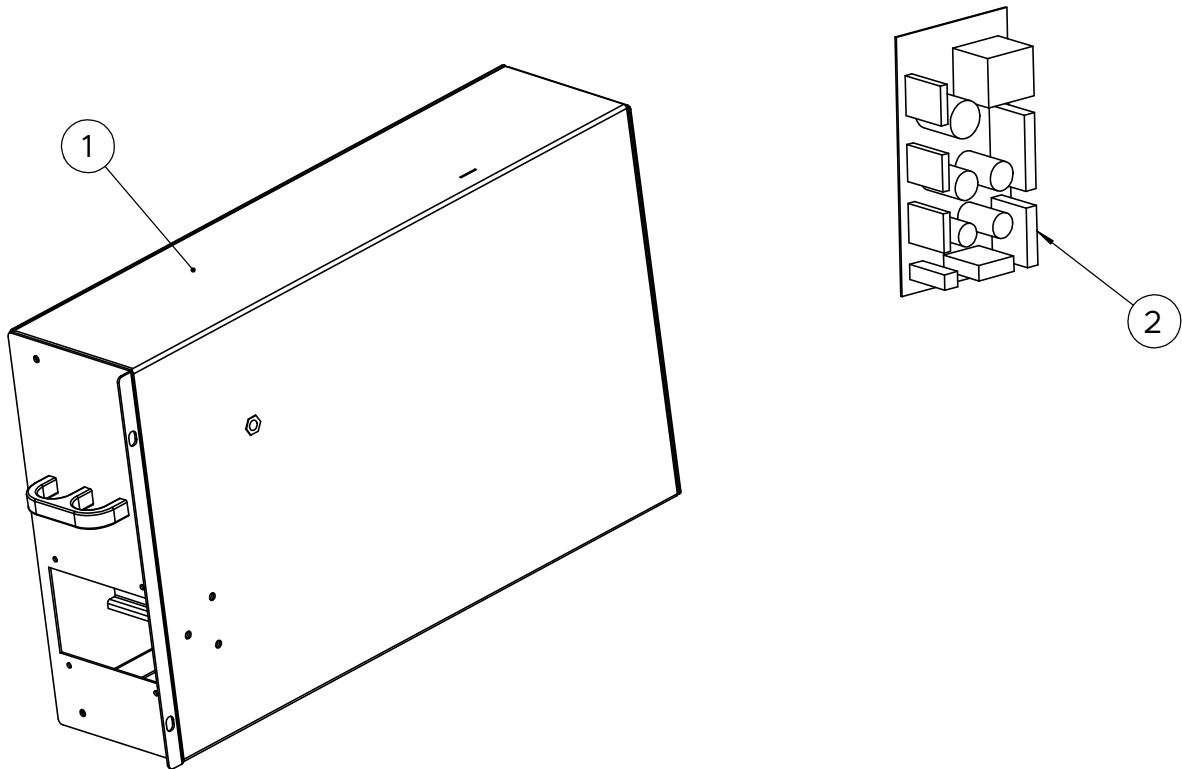
Bottom Panel Subassembly



Bottom Panel components list		
Position	Spare Part Code	Description
1	R230500001	Adjustable Foot
2	R150300017	Bottom panel
3	R230600001	Collecting tray GN1/1 H65 Poly
4	R230500006	Wheel ø100 with brake
5	R230500005	Wheel ø100 without brake

5

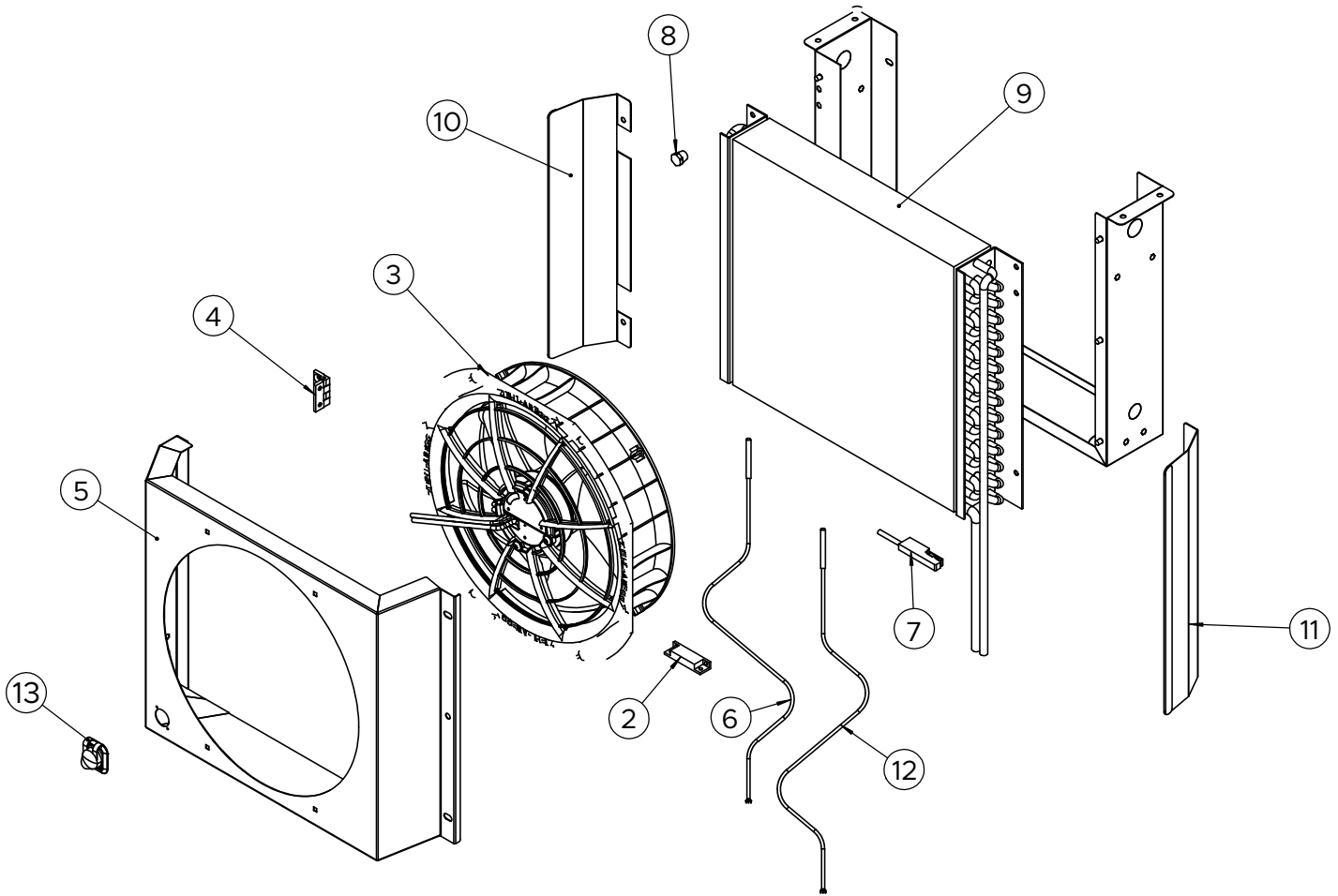
Electric Board Subassembly



Electric Board components list		
Position	Spare Part Code	Description
1	R400700002	Electric board
2	R240000001	Controller base board

5

Fan & Evaporator support Subassembly



Fan & Evaporator support components list

Position	Spare Part Code	Description
2	R230400001	Magnet for sensor
3	R210100002	Evaporator fan ø300 with connector
4	R230000001	Fan holder hinge
5	R150400014	Fan support
6	R240100004	Evap Probe with red connector
7	R211700003	Evap Door Magnetic sensor with connector
8	R250500001	Fan holder knob
9	R220200009	Evaporator
10	R150700024	Right deflector
11	R150700025	Left deflector
12	R240100005	Air Probe with blue connector
13	R211500004	Ozone sterilizer connector

NordCap GmbH & Co. KG
Thalendorststraße 15
28307 Bremen
Hauptsitz (Service, Finanzen & Personal, Lager, IT, Marketing)

Telefon: +49 421 48557-0
Telefax: +49 421 488650
E-Mail: bremen@nordcap.de

Die NordCap Verkaufsniederlassungen in Deutschland:

Nord: Hamburg • Ost: Berlin • Süd: Ingelheim • West: Erkrath

