

Ersatzteilliste-Explosionszeichnung

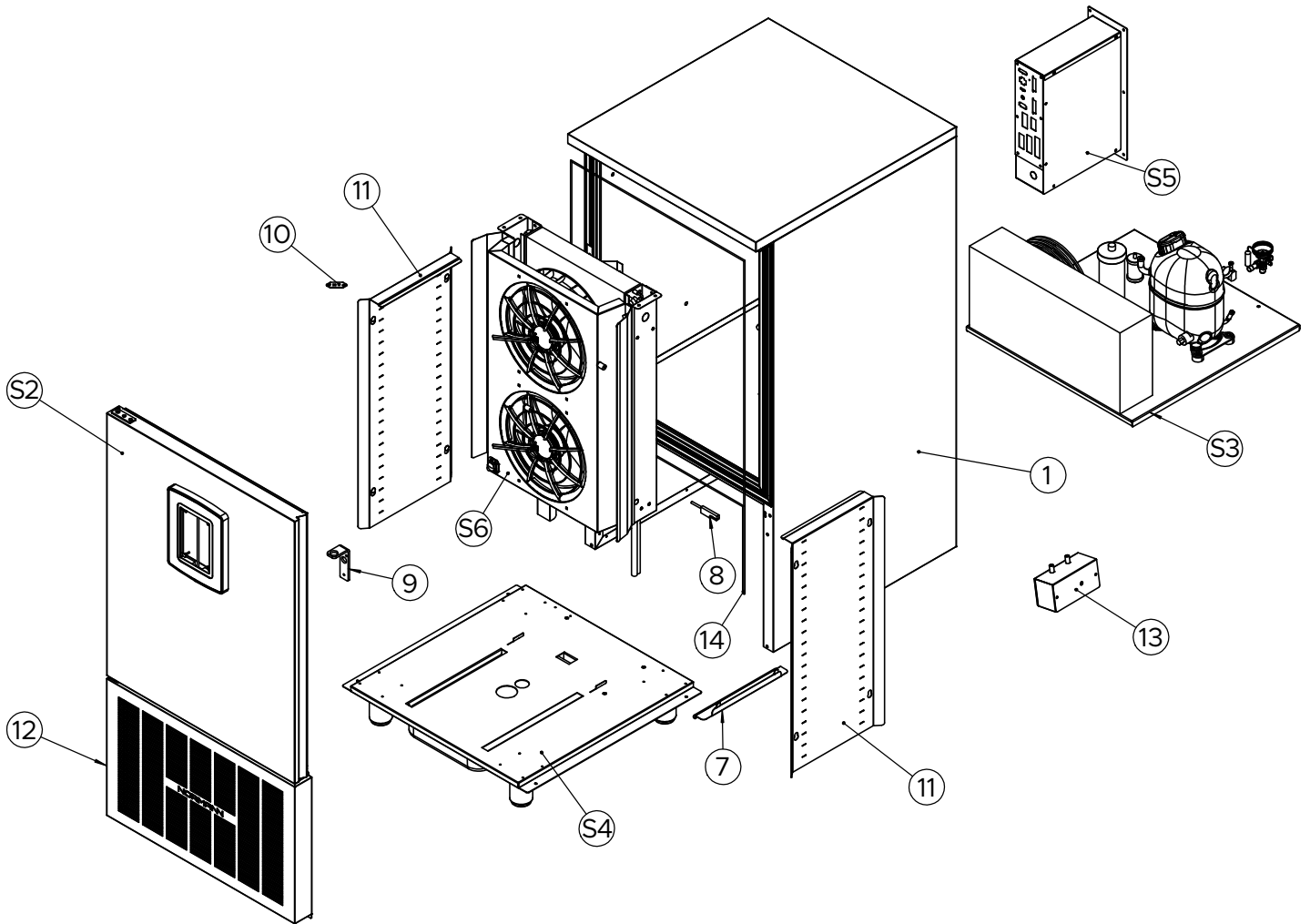
Schnellkühler / Schockfroster **SKF 12 GN 1/1**

[Art. 433000005]



12

General Subassembly

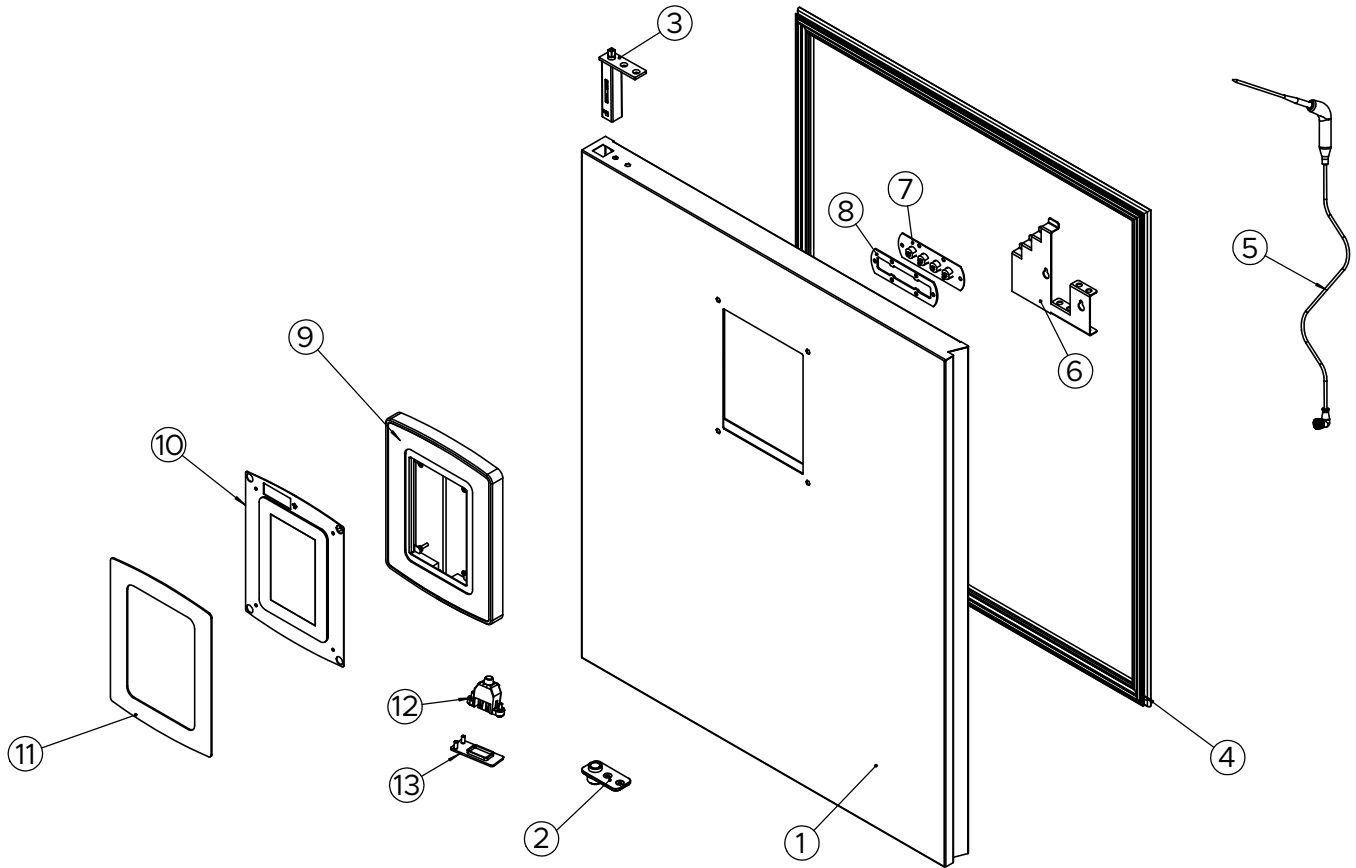


General Subassembly components list

Position	Spare Part Code	Description
1	R450700013	Body
7	R150700001	Guides for GN 1/1 and EN 60x40 trays
8	R211700002	Door Magnetic sensor with connector
9	R400100001	Lower hinge assembly
10	R150700002	Upper hinge plate
11	R150700005	Trays Support holder N5
11	R150700023	Trays Support holder
12	R150300001	Front panel Nordcap
12	R150300018	Frontal panel
13	R240200002	Ozone generator assembly
14	R210200005	Door Heater 24V

12

Door Subassembly

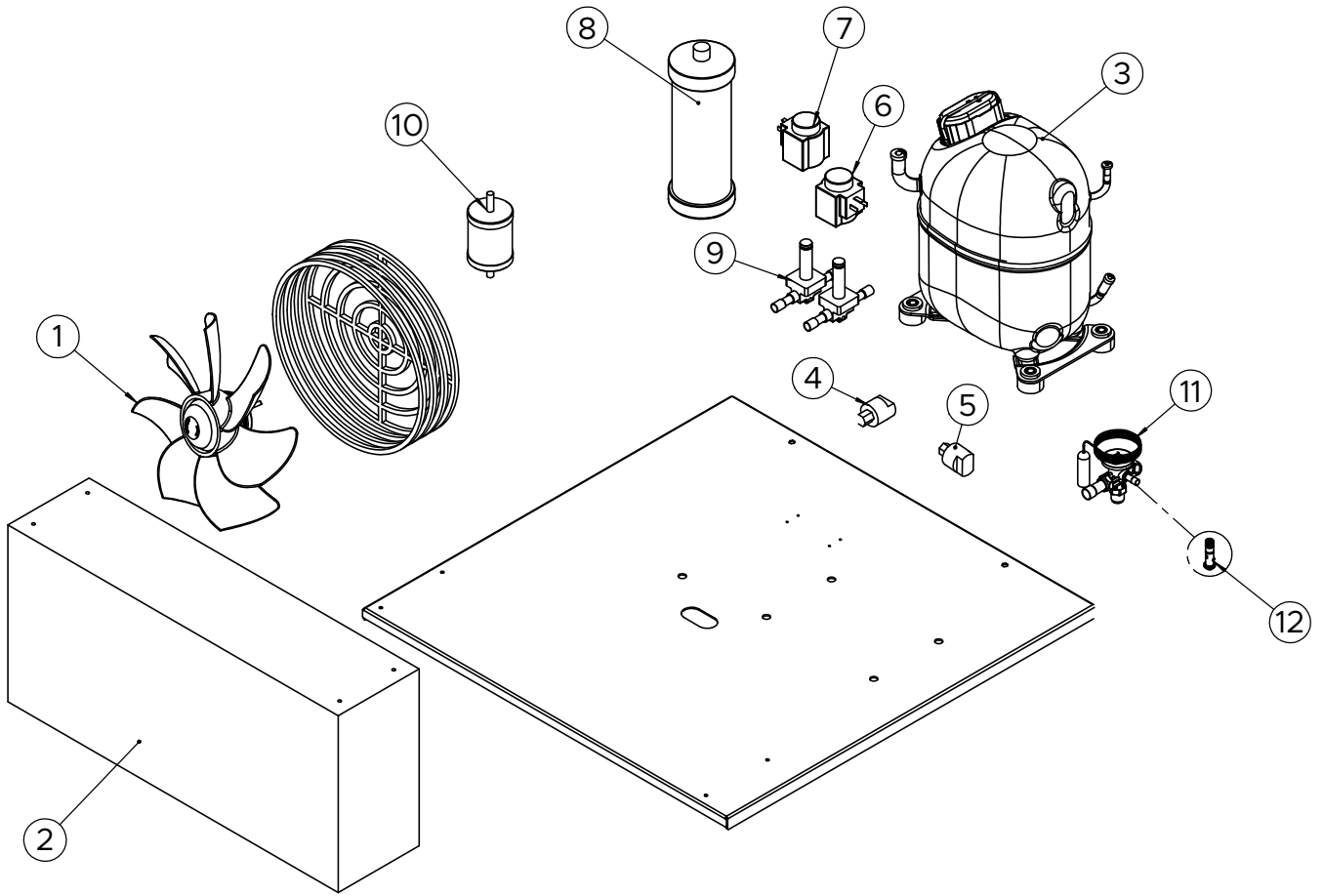


Door components list

Position	Spare Part Code	Description
1	R450700014	Door
2	R251100002	Lower hinge plate
3	R230900001	Upper hinge
4	R250300008	Door gasket
5	R240100003	Heated mutipoint probe 700mm
6	R150700004	Probe holder
7	R211500003	Probe connector
8	R250300003	Probe connector gasket
9	R251100001	Keyboard frame Black
10	R400000005	LCD keyboard
11	R251200001	Magnetic label Nordcap
11	R2512 00002	Magnetic label
12	R211500001	USB Connector
13	R211500002	USB Cap

12

Condensed Unit Subassembly

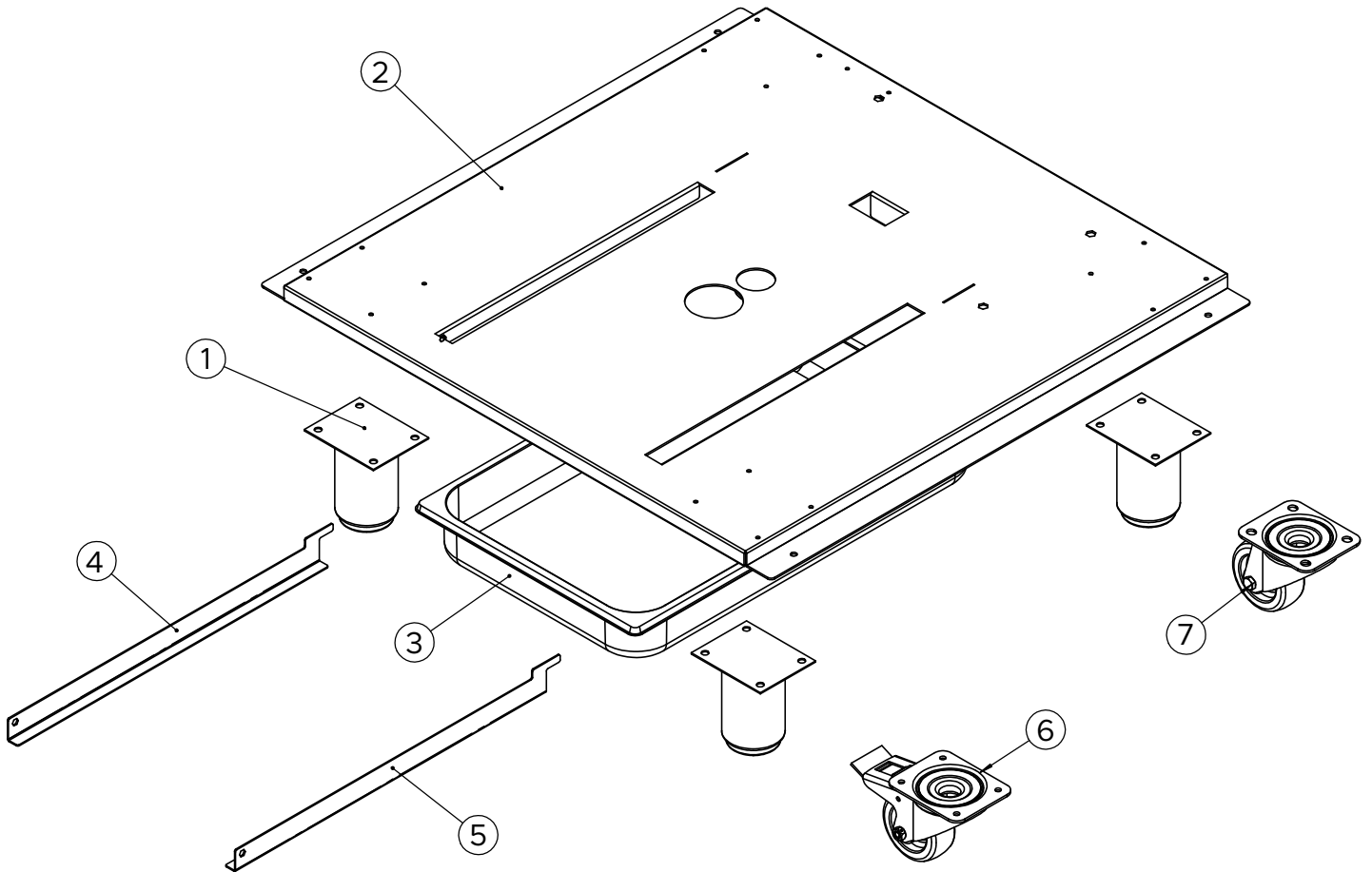


Condensed Unit components list

Position	Spare Part Code	Description
1	R210100012	Condenser fan
2	R220400001	Condenser
3	R221000001	Compressor NJX2219GS
4	R221200001	High pressure switch
5	R221200002	Low pressure switch
6	R290100001	Defrosting Solenoid coil 24V
7	R290100002	Solenoid coil 230V
8	R220500001	Liquid receiver
9	R220600001	Filter
10	R290100003	Solenoid valve 10mm
11	R220300003	Danfoss thermostatic valve 068Z3549
12	R220300006	Danfoss Orifice 02

12

Bottom Panel Subassembly

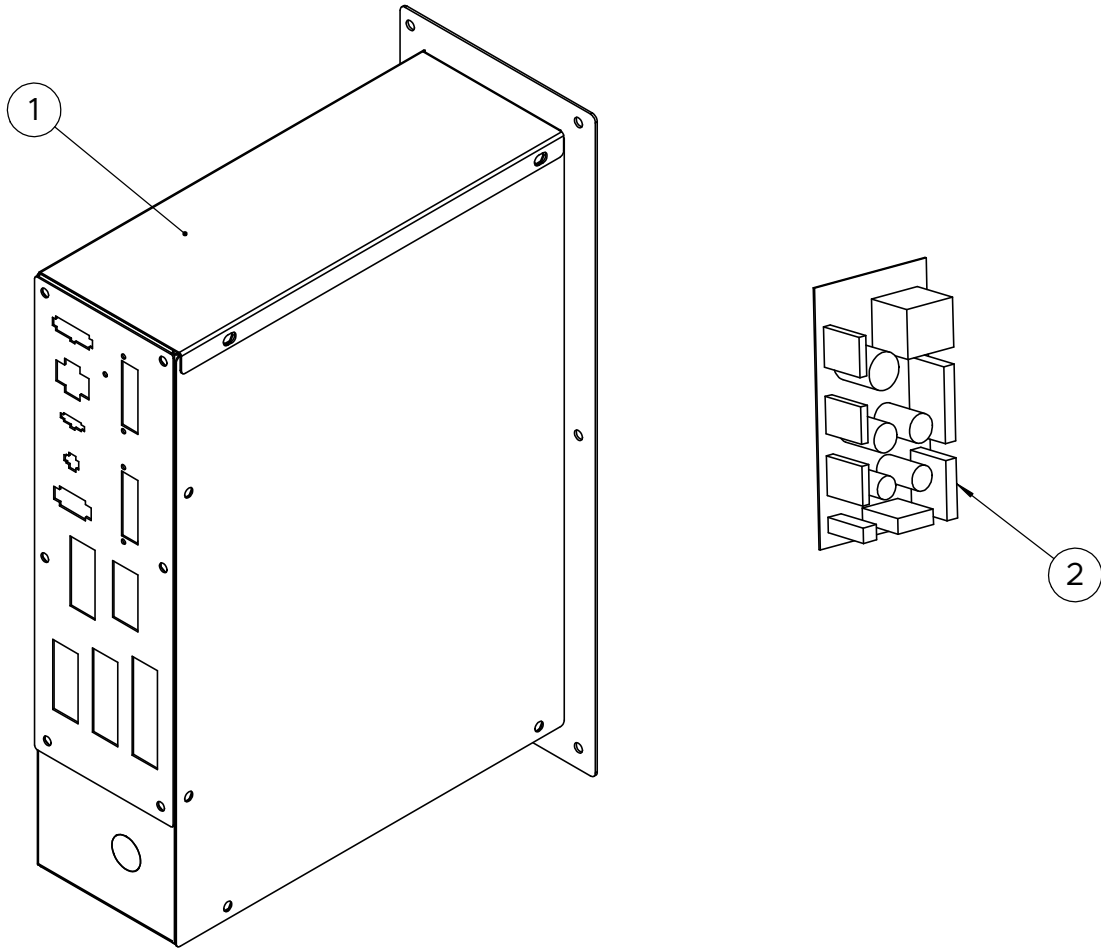


Bottom Panel components list

Position	Spare Part Code	Description
1	R230500001	Adjustable Foot
2	R150300002	Bottom panel
3	R230600001	Collecting tray GN1/1 H65 Poly
4	R150300003	Left bottom tray suport
5	R150300004	Right bottom tray suport
6	R230500006	Wheel ø100 with brake
7	R230500005	Wheel ø100 without brake

12

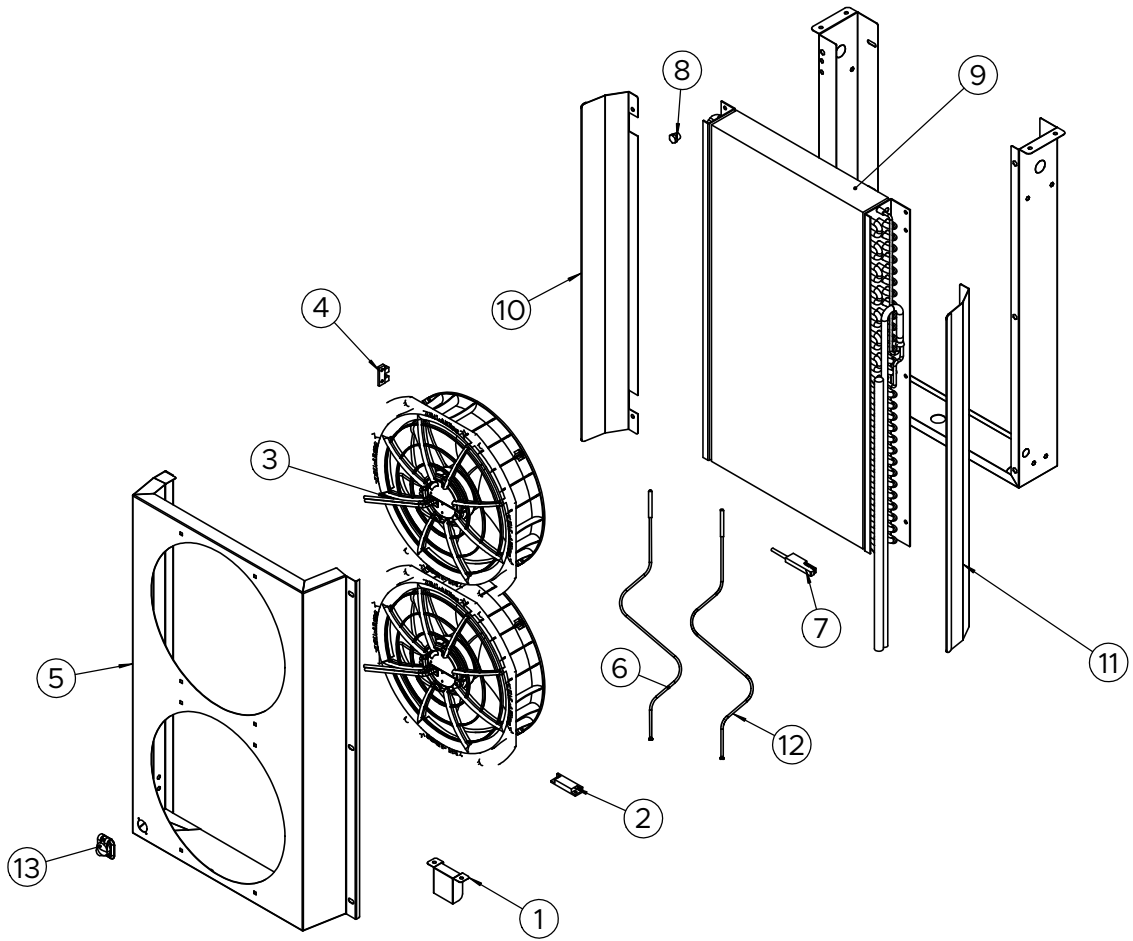
Electric Board Subassembly



Electric Board components list		
Position	Spare Part Code	Description
1	R400700002	Electric board
2	R240000001	Controller base board

12

Fan & Evaporator support Subassembly



Fan & Evaporator support components list

Position	Spare Part Code	Description
1	R150700020	Tray retainer
2	R230400001	Magnet for sensor
3	R210100002	Evaporator fan ø300 with connector
4	R230000001	Fan holder hinge
5	R150400013	Fan support
6	R240100004	Evap Probe with red connector
7	R211700003	Evap Door Magnetic sensor with connector
8	R250500001	Fan holder knob
9	R220200002	Evaporator
10	R150700021	Right deflector
11	R150700022	Left deflector
12	R240100005	Air Probe with blue connector
13	R211500004	Ozone sterilizer connector

NordCap GmbH & Co. KG
Thalendorststraße 15
28307 Bremen
Hauptsitz (Service, Finanzen & Personal, Lager, IT, Marketing)

Telefon: +49 421 48557-0
Telefax: +49 421 488650
E-Mail: bremen@nordcap.de

Die NordCap Verkaufsniederlassungen in Deutschland:

Nord: Hamburg • Ost: Berlin • Süd: Ingelheim • West: Erkrath

