

# Bedienungsanweisung

## Pizzakühltisch-Aufsatz A 2560

[Artikel-Nr.: 46710307014-0-G-0]



**EN INSTRUCTION MANUAL (TRANSLATION OF THE ORIGINAL INSTRUCTION)**

This equipment should be operated safely, in accordance with the manufacturer's original instructions and solely for the designated use. Misuse can cause damage to the equipment and possible injury to the user. Do not store explosive substances, such as aerosol products containing flammable propellant. Do not exceed the limits of maximum permissible load (20 kg per shelf, 40 kg per drawer). If deteriorated, the power cord must be immediately replaced by an original one provided by the manufacturer or by after-sales service; the replacement must be performed by qualified personnel. Time-weighted of equipment noise emissions, in workplace, does not exceed 70 dB(A). Climatic class 4: 30°C, 55% RH / climatic class 5: 40°C, 40% RH.

**FR NOTICE D'UTILISATION (TRADUCTION DE L'INSTRUCTION D'ORIGINE)**

Cet équipement doit être utilisé en toute sécurité, conformément aux instructions originelles du fabricant et uniquement pour l'utilisation indiquée. Une mauvaise utilisation peut causer des dommages à l'équipement et d'éventuelles blessures à l'utilisateur. N'entreposez pas de substances explosives, comme les produits en aérosol contenant des gaz propulseurs inflammables. Ne dépassez pas les limites de charge maximale admissible (20 kg par étagère, 40 kg par tiroir). Si le câble d'alimentation est endommagé, celui-ci doit être remplacé par un original fourni par le fabricant ou par son assistance technique ; la substitution doit être faite par du personnel qualifié. Les niveaux d'émission sonore pondérés de l'équipement, sur les lieux de travail, ne dépasse pas les 70 dB(A). Classe climatique 4: 30°C, 55% HR / classe climatique 5: 40°C, 40% HR.

**DE BEDIENUNGSANLEITUNG (ÜBERSETZUNG DER ORIGINAL-ANLEITUNG)**

Dieses Gerät sollte sicher betrieben werden kann, in Übereinstimmung mit der Originalverpackung des Herstellers Anweisungen und ausschließlich für den bestimmungsgemäßen Gebrauch. Missbrauch kann zu Schäden am Gerät und mögliche Verletzungen des Benutzers. Lagern Sie keine explosiven Substanzen, wie Aerosol-Produkte mit brennbaren Treibgas. Überschreiten Sie nicht das zulässige Gesamtgewicht (20 kg pro Tragrost, 40 kg pro Schublade). Wenn verschlechtert, muss das Netzkabel sofort von einer Vorlage durch den Hersteller oder technische Hilfe bereit gestellt ersetzt werden; der Austausch muss von qualifiziertem Fachpersonal durchgeführt werden. Die A-ausgewogene Schallpegel des Geräts am Arbeitsplatz, 70 dB (A) nicht überschreiten. Klimaklasse 4: 30°C, 55% RF / Klimaklasse 5: 40°C, 40% RF.

**NL GEBRUIKSAANWIJZING (VERTALING VAN DE ORIGINELE HANDLEIDING)**

Het apparaat moet veilig worden gebruik, overeenkomstig de gebruiksaanwijzing en alleen voor het door de fabrikant aangegeven doeleinde. Oneigenlijk gebruik kan schade aan het apparaat en/of de gebruikers veroorzaken. In het apparaat mogen geen explosieve stoffen, zoals aerosol-producten met brandbaar drijfgas, worden opgeslagen. Overschijdt niet de maximale belasting van 20 kg per rooster, 40 kg per lade. Een beschadigde of versleten voedingskabel dient gelijk te worden vervangen door originele nieuwe. Dit gedient te worden uitgevoerd door hiervoor gekwalificeerd personeel. De gemeten geluidsproductie van in werking zijnde apparaat is lager dan 70 dB (A). Klimaat klasse 4: 30°C, 55% RV / Klimaat klasse 5: 40°C, 40% RV.

**PT MANUAL DE INSTRUÇÕES (VERSÃO ORIGINAL)**

O equipamento deve ser utilizado em segurança segundo este manual e apenas para o fim indicado pelo fabricante. O seu uso incorreto pode causar danos no equipamento e/ou aos utilizadores. Não armazenar neste equipamento substâncias explosivas, tais como latas de aerossol com propulsor inflamável. Não ultrapasse os limites da carga máxima admissível (20 kg por prateleira, 40 kg por gaveta). Caso se deteriore, o cabo de alimentação deve ser substituído de imediato por um original fornecido pelo fabricante ou pelos serviços de assistência técnica; a sua substituição deve ser efectuada por pessoal qualificado. Os níveis ponderados de emissão sonora do equipamento, nos locais de trabalho, não superam os 70 dB (A). Classe climática 4: 30°C, 55% HR / classe climática 5: 40°C, 40% HR.

**Instruction Manual  
Notice d'Utilisation  
Bedienungsanleitung  
Gebruiksaanwijzing**

**Manual de Instruções  
Manuale di Istruzioni  
Manual de Instrucciones**

**N.º MNS00065\_00**

**IT MANUALE DI ISTRUZIONI (TRADUZIONE DELLE ISTRUZIONI ORIGINALI)**

Questo apparecchio deve essere utilizzato in modo sicuro, secondo le istruzioni originali del produttore ed esclusivamente per l'uso previsto. Un uso improprio può causare danni alle apparecchiature e possibili lesioni per l'utente. Non conservare sostanze esplosive, come i prodotti spray che contengono propellente infiammabile. Non superare il limite di carico massimo (20 kg per ripiano, 40 kg per cassetto). Se deteriorato, il cavo di alimentazione deve essere sostituito immediatamente da un originale fornito dal produttore o dall'assistenza tecnica; la sostituzione deve essere effettuata da personale qualificato. I livelli ponderati di emissione acustica dell'attrezzatura, sul luogo di lavoro, non superano i 70 dB (A). Classe climatica 4: 30°C, 55% UR / classe climatica 5: 40°C, 40% UR.

**ES MANUAL DE INSTRUCCIONES (TRADUCCIÓN DE LA VERSIÓN ORIGINAL)**

Este equipo debe ser operado con seguridad, de acuerdo con las instrucciones originales del fabricante y sólo para el fin indicado. El mal uso puede causar daños en el equipo y posibles lesiones al usuario. No almacene sustancias explosivas, tales como aerosoles que contienen propulsores inflamables. No exceda los límites de carga máxima admisible (20 kg por estante, 40 kg por cajón). Si deteriorado, el cable de alimentación debe ser sustituido inmediatamente por un original proporcionado por el fabricante o los servicios de asistencia técnica; la sustitución debe ser realizada por personal calificado. Los niveles ponderados de emisión sonora del equipo, en el lugar de trabajo, no superan los 70 dB (A). Clase climática 4: 30°C, 55% HR / clase climática 5: 40°C, 40% HR.

**INDEX**

**1 NOTE FROM THE MANUFACTURER..... 4**  
**2 RATING PLATE ..... 4**  
**3 RECEIPT ..... 4**  
**4 INSTALLATION..... 4**  
**4.1. PREPARATION ..... 4**  
**4.2. ELECTRICAL CONNECTION ..... 4**  
**4.3. PLACEMENT ..... 5**  
**4.4. SET-UP OF A TOPPING SHELF ..... 5**  
**4.4.1. ASSEMBLING THE TOPPING SHELF ON THE WORKTOP OF A PIZZA PREP TABLE ..... 5**  
**4.4.2. ASSEMBLING THE SNEEZE GUARD ..... 5**  
**5 USAGE ..... 5**  
**5.1. INDICATIONS ..... 5**  
**5.2. DEFROSTING ..... 5**  
**5.3. CLEANING ..... 6**  
**5.4. CONDENSER CLEANING ..... 6**  
**5.5. EXTENDED PERIOD OF INACTIVITY ..... 6**  
**5.6. USE OF SWIVEL CASTORS BRAKE ..... 6**  
**5.7. TROUBLESHOOTING ..... 6**

**1 Note from the Manufacturer**

Thank you for choosing our refrigerated equipment. We designed it in compliance with the applicable European directives and standards, and developed it to provide the best cold storage conditions for each type of food, with the aim of providing a safe and practical use that will meet your needs and expectations.

**2 Rating Plate**

<b>Model</b> Modell   Model   Modèle   Modello   Modelo   Modelo	<input type="text"/>						
<b>Product Code</b> Artikelnummer   Artikelnummer   Code article   Codice articolo   Código producto   Código artigo	<input type="text"/>						
<b>Serial N.º / Year</b> Seriennummer / Jahr   Seriennummer / Jaar   Numéro de série / Année   Numero di serie / Anno   Número de serie / Año   Número de série / Ano	<input type="text"/>						
<b>Climate Class</b> Klimaklasse   Klimaat klasse   Classe climatique   Classe climatica   Clase climática   Classe climática	<input type="text" value="g)"/>						
<b>Defrost power (W)</b> Abtauung Leistung   Ontdooi vermogen   Puissance dégivrage   Potenza scongelamento   Potencia desescarche   Potência descongelação	<input type="text"/>						
<b>Door Heater Wire (W)</b> Heizleitungen der Tür   Verwarmingslint voor deur   Cordon chauffant porte   Resistenza elettrica porta   Resistencia calefactora puerta   Resistència elèctrica porta	<input type="text"/>						
<b>Light bulb (Max. W)</b> Glühbirne   Verlichtingsunit   Ampoule   Lampadina   Bombilla   Lâmpada	<input type="text"/>						
en   de   nl   fr   it   es   pt	<table border="1"> <tr> <td>a)</td> <td>b)</td> </tr> <tr> <td>c)</td> <td>d)</td> </tr> <tr> <td>e)</td> <td>f)</td> </tr> </table>	a)	b)	c)	d)	e)	f)
a)	b)						
c)	d)						
e)	f)						
PT-503403474							

The rating plate on our equipment is located inside the equipment, on the left side panel. It includes the main technical data about the equipment and it identifies the MODEL and SERIAL NUMBER, which are vital pieces of information for any queries to the manufacturer.



The European directive on Waste Electrical and Electronic Equipment (WEEE) specifies that, at the end of its life cycle, this equipment and all of its components, subassemblies and consumable materials should be sent separately for treatment for it to be destroyed, recycled or reused. Do not dispose it together with undifferentiated waste.

Legend	
a) Voltage (V)	b) Frequency (Hz)
c) Current (A)	d) Power (W)
e) Refrigerant fluid	f) Refrigerant charge (g)
g) Climate Class	
4: 30°C, 55% RH	
5: 40°C, 40% RH	

**3 Receipt**

The construction and operation of each piece of equipment is rigorously checked at the factory, as shown in the attached test report. In case damage has occurred in transit, carefully check the general condition of the equipment after unpacking. Then, confirm that the features match the specifications of the purchase order. We remind you that our constant search for technological improvements implies that changes to the equipment described in this manual may be effective without prior notification.

**4 Installation**

The equipment installation should be carried out in accordance with building regulations, rules and best practice for accident prevention, fire prevention standards and existing local standards.



Technical maintenance, installation and other actions should be carried out by authorised specialised technicians only, using original spare parts. The manufacturer assumes no responsibility resulting from incorrect use of the product or the non compliance of the instructions contained in this manual.

**4.1. Preparation**

To avoid scratches, spots and fingerprints, remove the plastic protective film with gloves without using sharp tools.

**4.2. Electrical connection**

The unit is supplied with a plug in accordance with current standards of practice and with a power cord whose length is sufficient to allow connection to the mains.

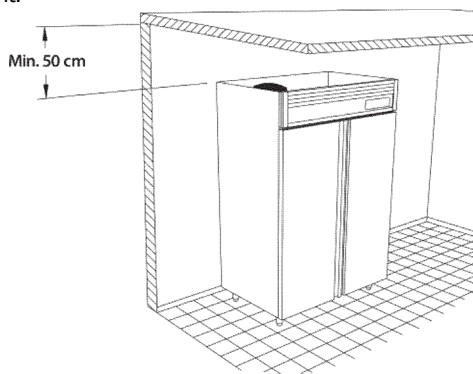


The mains should be easily accessible and sized for the maximum consumption (see rating plate), and should have an EARTH CABLE. Never use sockets or plugs without earth cable, nor use adapters or extension cords. For direct connections to the network, always install an interrupting device (circuit breaker) in accordance with international standards.

**4.3.Placement**



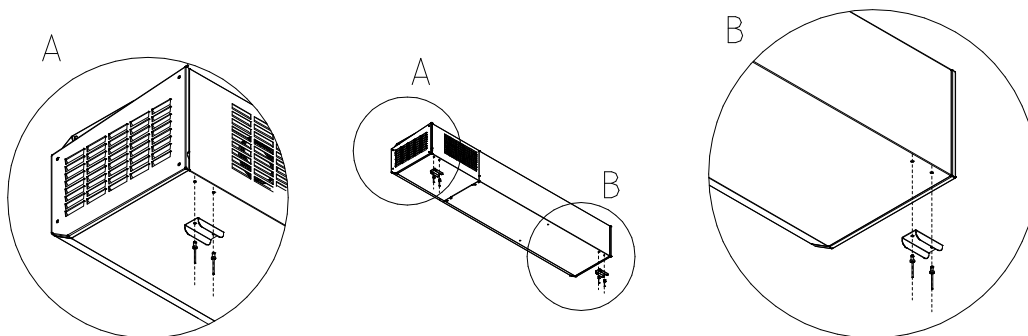
The equipment must be installed on a flat and sturdy surface, to ensure 4-point support stability, and away from possible sources of heat (like ovens or stoves) and away from direct sunlight. Ensure good air circulation around the equipment, respect the recommended distances and never obstruct the air vents grids: the lack of ventilation seriously affects the operation and can lead to severe damage to the equipment.



**4.4.Set-up of a topping shelf**

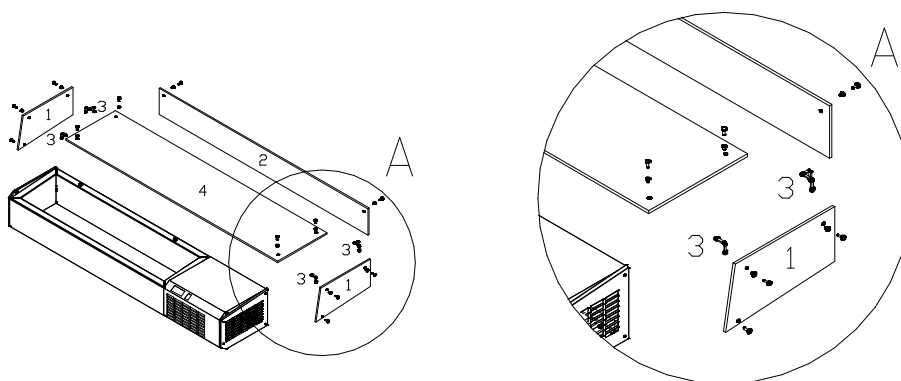
**4.4.1. Assembling the topping shelf on the worktop of a pizza prep table**

For a safe adjustment between the topping shelf and the pizza table, the U-shaped adaptor must be correctly fitted. Please centre the holes of the adaptor with those on the underside of the topping shelf before fastening the blind rivets.



**4.4.2. Assembling the sneeze guard**

Place the side glasses (1), place the back glass (2) on the back panel fasteners of the topping shelf. Fasten the glasses double and triple linked clip (3) into the holes, place the top glass (4) and screw.



**5 Usage**

**5.1.Indications**

Our refrigerated equipment has been designed to store food and food products in general. To reduce energy consumption, optimize the equipment operation, and also improve and extend the shelf life of food, observe the following conditions:

- ✓ Reduce the doors and/or drawers opening frequency and duration;
- ✓ Do not put hot food inside the refrigerated equipment;
- ✓ Ensure that all food is covered or wrapped;
- ✓ Space food to allow for good air flow;
- ✓ Do not exceed load height limit line

**5.2.Defrosting**

The defrosting is carried out automatically with electronic control, which can also be triggered manually. In any case, do not use sharp objects (such as knives, screwdrivers, etc.) to remove a possible excess of ice. In models with automatic defrost water evaporation, water is drained to the condensing unit. In other models, it is drained to a tray underneath the equipment which must be poured regularly. After defrost, keep the doors and/or drawers closed to accelerate the temperature recovery.

**5.3.Cleaning**

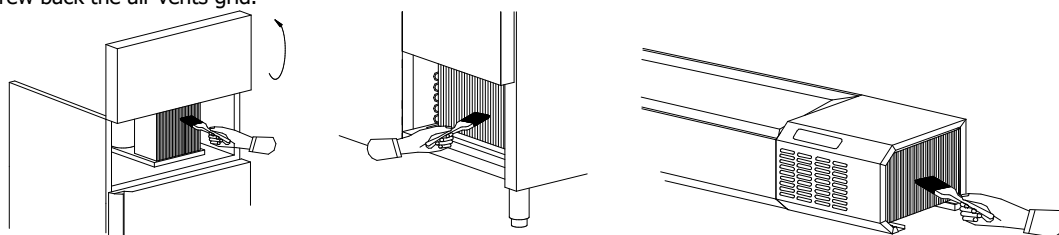
To ensure proper hygiene and maintenance, perform regular cleaning as indicated:

- ✓ Switch off the appliance and unplug it, or switch off the circuit breaker;
- ✓ Clean the surfaces using a dampened cloth with a mild soap warm water solution; then rinse with a dampened cloth with clean water and finally wipe with a soft, dry cloth;
- ✓ Do not use aggressive cleaning products containing corrosive chemicals or chlorine (such as bleach), or abrasive materials (such as pads) or pressurized water (such as hoses).

**5.4.Condenser Cleaning**

To ensure long life and correct operation of the refrigeration system, clean the condenser coil regularly as indicated:

- ✓ Switch off the appliance and unplug it, or switch off the circuit breaker;
- ✓ Unscrew and open the air vents grid; be careful with cable holder, do not stretch the cables;
- ✓ Carefully vacuum (preferably) or brush the condenser coils;
- ✓ Finally, screw back the air vents grid.

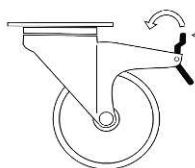
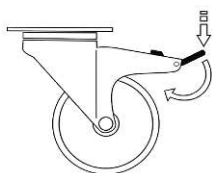


**5.5.Extended Period of Inactivity**

Where there is a foreseeable extended period of inactivity, remove all foodstuff from the appliance and clean it as described. In the end, switch it off from the mains and leave the doors open to prevent bad odour.

**5.6.Use of swivel castors brake**

Brake



Release the brake

**5.7.Troubleshooting**

If you notice any malfunction, refer to the checklist below to identify the problem and its possible solutions. If the problem still persists, please contact the after-sales service.

Symptom	Check
Equipment does not run and the display does not work	Make sure the plug is inserted into the socket
	Check for a blown fuse or tripped circuit breaker
	Test the power outlet for current
	Inspect the electrical cord for damage
	Remove any extension cord
Equipment does not run but the display works	Check the temperature setting
	Assure that there is enough air flow inside the equipment
	Clean the condenser coils
Equipment is not cold enough	Check the temperature setting
	Assure that there is enough air flow inside the equipment
	Check for airflow restrictions in vents
	Clean the condenser coils
	Clean the door seals
Equipment is too cold	Check for a clogged drain pipe
	Check the temperature setting
Equipment runs continuously	Clean the condenser coils
	Clean the door seals
Equipment starts and stops frequently	Clean the condenser coils

**INDICE**

**1 NOTE DU FABRICANT** ..... 7  
**2 PLAQUE DE CARACTERISTIQUES** ..... 7  
**3 RECEPTION** ..... 7  
**4 INSTALLATION** ..... 7  
**4.1. PREPARATION** ..... 7  
**4.2. RACCORDEMENT ELECTRIQUE** ..... 7  
**4.3. POSITIONNEMENT ET MISE A NIVEAU** ..... 7  
**4.4. MONTAGE DE LA VITRINETTE REFRIGEREE** ..... 8  
**4.4.1. FIXATION SUR LE PLAN DE TRAVAIL D'UNE TABLE A PIZZA** ..... 8  
**4.4.2. FIXATION DU PARE-HALEINE** ..... 8  
**5 UTILISATION** ..... 8  
**5.1. CONSIGNES** ..... 8  
**5.2. DEGIVRAGE** ..... 8  
**5.3. NETTOYAGE DE L'EQUIPEMENT** ..... 9  
**5.4. NETTOYAGE DU CONDENSEUR** ..... 9  
**5.5. INACTIVITE PROLONGEE** ..... 9  
**5.6. UTILISATION DU FREIN DES ROULETTES** ..... 9  
**5.7. ANOMALIES** ..... 9

**1 Note du Fabricant**

Nous vous remercions d'avoir choisi notre équipement de réfrigération. Nous l'avons conçu pour fournir les meilleures conditions de conservation pour chaque type d'aliment, ceux-ci répondent à toutes les directives et normes européennes applicables dans le but de fournir une utilisation sûre et pratique qui répond à vos attentes et besoins.

**2 Plaque de Caractéristiques**

**Model**   
 Modell | Model | Modèle | Modello | Modelo | Modelo

**Product Code**   
 Artikelnummer | Artikelnummer | Code article | Codice articolo | Código producto | Código artigo

**Serial N.º / Year**   
 Seriennummer / Jahr | Seriennummer / Jaar | Numéro de série / Année | Numero di serie / Anno | Número de serie / Año | Número de série / Ano

**Climate Class**   
 Klimaklasse | Klimaat Klasse | Classe climatique | Classe climatica | Clase climática | Classe climática

**Defrost power (W)**   
 Abtaug Leistung | Ontdooi vermogen | Puissance dégivrage | Potenza sbrinatorio | Potencia desescarche | Potência descongelação


**Door Heater Wire (W)**   
 Heizleitungen der Tür | Verwarmingslint voor deur | Cordon chauffant porte | Resistenza elettrica porta | Resistencia calefactora puerta | Resistência elétrica porta

**Light bulb (Max. W)**   
 Glühbirne | Verlichtingsunit | Ampoule | Lampadina | Bombilla | Lâmpada

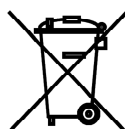
en | de | nl | fr | it | es | pt

PT-503403474

a)	b)
c)	d)
e)	f)



La plaque de caractéristiques de nos équipements se trouve à l'intérieur de l'appareil, sur le panneau latéral gauche. Vous y trouverez les principales informations techniques de l'appareil et l'identification du MODELE et N° de SERIE, fondamentaux pour toute consultation au fabricant.



La directive européenne sur les déchets d'équipements électriques et électroniques (DEEE) indique que, à la fin de son cycle de vie, l'appareil et tous ses composants, sous-ensembles et matériaux consommables doivent faire l'objet de récupération sélective pour être traités afin d'être éliminés, recyclés ou réutilisés. Ne déposez pas des appareils comprenant ce symbole avec des résidus urbains indifférenciés.

Légende	
a) Tension (V)	b) Fréquence (Hz)
c) Courant (A)	d) Puissance (W)
e) Gaz réfrigérant	f) Charge de gaz (g)
g) CLASSE CLIMATIQUE	
4: 30°C, 55% RH	
5: 40°C, 40% RH	

**3 Réception**

La construction et le fonctionnement de chacun de nos équipements sont rigoureusement vérifiés à l'usine, comme en témoigne le rapport d'essai ci-joint. Compte tenu de la possibilité de dommages causés par le transport, vérifier le bon état de l'appareil après le déballage. Ensuite, vérifier que les caractéristiques correspondent aux spécifications de la commande. Nous rappelons que notre recherche constante d'améliorations technologiques pourra promouvoir des modifications sans avis préalable aux appareils indiqués dans cette notice d'utilisation.

**4 Installation**



L'installation doit être effectuée en respectant constamment les règlements concernant la construction d'édifices, les règles et les bonnes pratiques de préventions d'accidents et les normes de sécurité en vigueur. Toutes les interventions d'installation et entretien doivent être exécutées par des techniciens spécialisés et autorisés, utilisant des pièces et composants originaux. Le fabricant décline toute responsabilité pour les dégâts provoqués par une mauvaise utilisation et non respect des instructions mentionnées dans cette notice d'utilisation.

**4.1. Préparation**

Pour éviter des rayures, tâches ou traces de doigts, enlever la pellicule de protection en plastique sans utiliser des objets pointus et en utilisant des gants.

**4.2. Raccordement électrique**



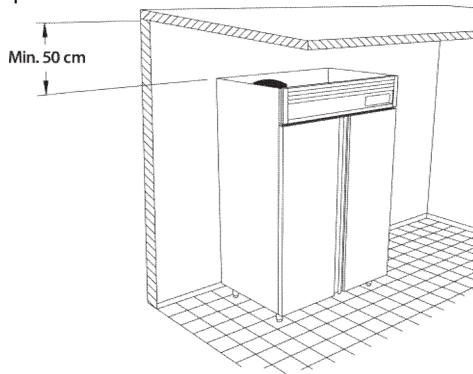
L'appareil est fourni avec une fiche selon les normes d'essai, ainsi qu'un câble d'alimentation réglementaire avec longueur suffisante pour permettre de le brancher à la prise murale. La prise murale doit être très facilement accessible et doit être dimensionnée pour la consommation maximale (spécifié dans la plaque de caractéristiques) et doit avoir un FIL DE TERRE. Ne jamais utiliser des prises ou fiches sans fil de terre, ni d'adaptateurs ou rallonges. Pour les raccordements directs au réseau, il faut toujours installer un dispositif d'interruption (disjoncteur) de taille conforme aux normes internationales.

**4.3. Positionnement et mise à niveau**

MNS00065\_00



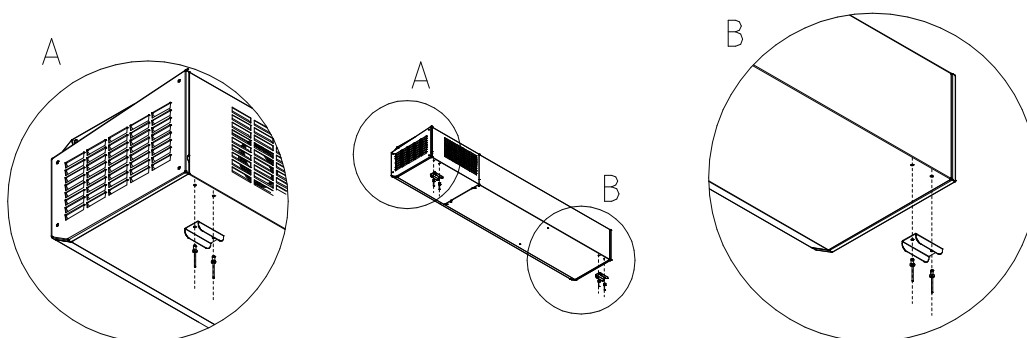
L'équipement doit être installé sur une surface plane et résistante, afin d'assurer la stabilité dans les points d'appui, et éloigné de possibles sources de chaleur (par ex. fours ou cuisinières) et à l'abri de la lumière directe du soleil. Il est important d'assurer une bonne circulation de l'air autour de l'équipement et de respecter les distances recommandées et vérifier que les grilles de ventilation ne soient pas obstruées : le manque de ventilation peut sérieusement affecter le fonctionnement et entraîner de graves dommages à l'équipement.



#### 4.4. Montage de la vitrinette réfrigérée

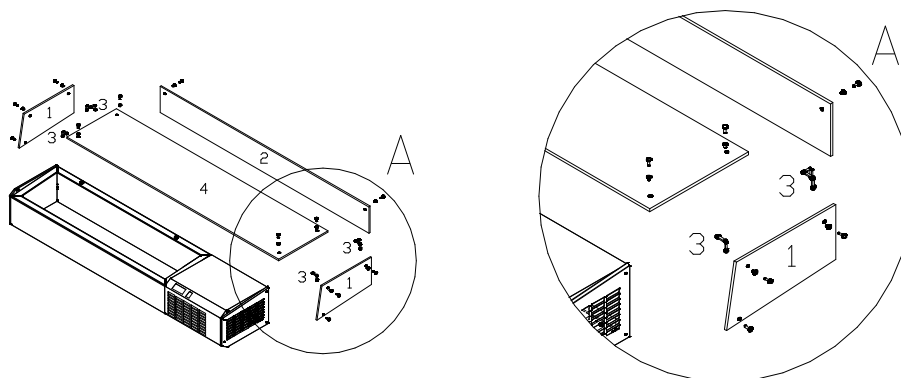
##### 4.4.1. Fixation sur le plan de travail d'une table à pizza

Pour un emplacement sûr entre la vitrinette réfrigérée et la table à pizza, on doit fixer correctement l'adaptateur en forme de U. Veuillez centrer les trous de l'adaptateur avec ceux de la partie inférieure de la vitrinette réfrigérée avant de fixer les rivets aveugles.



##### 4.4.2. Fixation du pare-haleine

Positionner les vitres latérales (1), placer la vitre arrière (2) sur les fixations du panneau arrière de la vitrinette. Fixer les supports doubles et triples (3) sur les orifices, placer la vitre du dessus (4) et visser.



## 5 Utilisation

### 5.1. Consignes

Nos équipements réfrigérés ont été conçus pour la conservation des aliments et produits alimentaires en général. Pour réduire la consommation énergétique et optimiser le fonctionnement de l'équipement, ainsi qu'améliorer et prolonger la durée de conservation des aliments, il faut respecter les consignes suivantes :

- ✓ Réduire la fréquence et la durée d'ouverture des portes et/ou tiroirs ;
- ✓ Espacer les aliments pour permettre une bonne circulation d'air entre eux ;
- ✓ Ne pas introduire d'aliments chauds ;
- ✓ Essayer de couvrir ou emballer les aliments ;
- ✓ Ne pas dépasser la limite de la hauteur signalée avec le symbole

### 5.2. Dégivrage



Le dégivrage de nos équipements est effectué automatiquement à l'aide d'un contrôle électronique, qui peut aussi être déclenché manuellement. En aucun cas, ne pas utiliser d'objets pointus (comme couteaux, tournevis, etc.) pour retirer l'éventuel excès de glace. Sur les modèles qui disposent d'un système automatique d'évaporation des eaux, les eaux de dégivrage coulent vers le groupe frigorifique. Sur les autres modèles, les eaux de dégivrage coulent vers un bac de récupération placé sous le meuble, celui-ci doit être vidé régulièrement. Après le dégivrage, maintenir les portes et/ou tiroirs fermés pour accélérer la récupération de la température.

**5.3. Nettoyage de l'équipement**

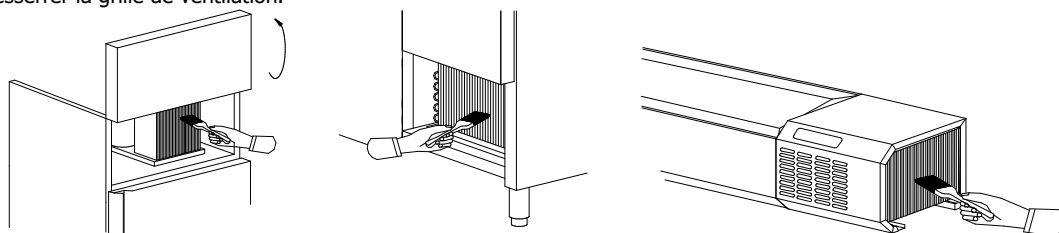
Pour assurer une hygiène et une conservation correctes, effectuer le nettoyage régulier de l'équipement comme indiqué :

- ✓ Débrancher l'appareil du courant, retirer la fiche ou éteindre le disjoncteur.
- ✓ Nettoyer soigneusement les surfaces à l'aide d'un chiffon humidifié avec une solution d'eau et de détergent doux ; puis rincer avec un chiffon imbibé d'eau claire et, finalement, passer un chiffon sec.
- ✓ Ne pas utiliser de produits de nettoyage acides ou à base de chlore (par ex. eau de javel), ni des matériaux abrasifs (par ex. des éponges à récuser) ni de l'eau sous pression (par ex. tuyaux d'arrosage).

**5.4. Nettoyage du condenseur**

Pour assurer une longue durée et un correct fonctionnement du système frigorifique, nettoyer régulièrement le condenseur comme indiqué :

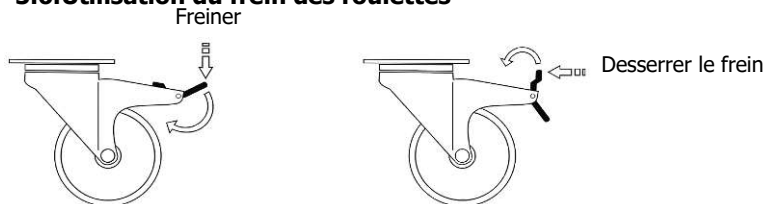
- ✓ Débrancher l'appareil du courant, retirer la fiche ou éteindre le disjoncteur ;
- ✓ Desserrer et ouvrir la grille de ventilation, faire attention de ne pas tirer les câbles électriques ;
- ✓ Nettoyer soigneusement les ailettes du condenseur avec un aspirateur (de préférence) ou avec une brosse douce ;
- ✓ À la fin, resserrer la grille de ventilation.



**5.5. Inactivité Prolongée**

Lorsque vous prévoyez une période d'inactivité prolongée de l'équipement, videz-le totalement et effectuez les opérations de nettoyage de l'équipement et du condenseur décrites ci-dessus. À la fin, laissez-le débranché du courant électrique et avec les portes semi-ouvertes afin d'éviter la formation d'odeurs.

**5.6. Utilisation du frein des roulettes**



**5.7. Anomalies**

Si vous détectez quelque anomalie ou un fonctionnement irrégulier, consultez la liste des contrôles ci-dessous afin d'identifier le problème et ses possibles solutions. Toutefois, si le problème persiste, contactez l'assistance technique.

Symptôme	Contrôle
L'équipement et le contrôleur ne fonctionnent pas	Vérifier si la fiche est correctement branchée sur la prise de courant
	Contrôler si le fusible est grillé ou si le disjoncteur est déclenché
	Vérifier si la prise a du courant
	Vérifier si le câble d'alimentation n'est pas endommagé
L'équipement ne fonctionne pas mais le contrôleur fonctionne	Éliminer toute rallonge utilisée
	Vérifier le réglage de la température
	Garantir qu'il existe suffisamment de circulation d'air à l'intérieur de l'équipement
L'équipement ne fait pas de froid suffisant	Nettoyer le condenseur
	Vérifier le réglage de la température
	Garantir qu'il existe suffisamment de circulation d'air à l'intérieur de l'équipement
	Vérifier si les grilles de ventilation sont désobstruées
	Nettoyer le condenseur
L'équipement fait du froid de trop	Nettoyer les joints magnétiques de la porte
	Vérifier si les sorties d'eau sont débouchées
	Vérifier le réglage de la température
L'équipement fonctionne en continu	Nettoyer le condenseur
	Nettoyer les joints magnétiques de la porte
L'équipement s'arrête et démarre fréquemment	Nettoyer le condenseur



## INHALTSVERZEICHNIS

<b>1 ANMERKUNG DES HERSTELLERS</b> .....	<b>10</b>
<b>2 TYPENSCHILD</b> .....	<b>10</b>
<b>3 AUFSTELLUNG</b> .....	<b>10</b>
<b>4 INSTALLATION</b> .....	<b>10</b>
<b>4.1. VORBEREITUNG</b> .....	<b>10</b>
<b>4.2. ELEKTRISCHER ANSCHLUSS</b> .....	<b>10</b>
<b>4.3. AUFSTELLUNG UND EINEBENEN</b> .....	<b>10</b>
<b>4.4. MONTAGE DER KÜHLAUFSATZ</b> .....	<b>11</b>
<b>4.4.1. EINSTELLUNG AUF DIE ARBEITSPLATTE EINES PIZZA-KÜHLTISCHES</b> .....	<b>11</b>
<b>4.4.2. EINSTELLUNG DEN HUSTENSCHUTZ</b> .....	<b>11</b>
<b>5 INSTANDHALTUNG</b> .....	<b>11</b>
<b>5.1. GEBRAUCH</b> .....	<b>11</b>
<b>5.2. ABTAUUNG</b> .....	<b>11</b>
<b>5.3. REINIGUNG DES GERÄTS</b> .....	<b>12</b>
<b>5.4. REINIGUNG DES KONDENSATORS</b> .....	<b>12</b>
<b>5.5. BEI LÄNGERER NICHTBENUTZUNG</b> .....	<b>12</b>
<b>5.6. HINWEISE FÜR DEN BETRIEB DER BREMSE</b> .....	<b>12</b>
<b>5.7. STÖRUNGEN</b> .....	<b>12</b>

## 1 Anmerkung des Herstellers

Wir freuen uns, dass Sie sich für unsere Geräte entschieden haben. Wir haben unsere Geräte so konzipiert, dass sie die besten Lagerbedingungen für jede Art von Lebensmitteln versorgen. Unsere Geräte erfüllen alle anwendbaren europäischen Richtlinien und Normen, um eine sichere und praktische Anwendung, die Ihren Erwartungen und Bedürfnissen gerecht wird.

## 2 Typenschild

<b>Model</b>	<input type="text"/>
Modell   Model   Modèle   Modello   Modelo   Modelo	
<b>Product Code</b>	<input type="text"/>
Artikelnummer   Artikelnummer   Code article   Codice articolo   Código producto   Código artigo	
<b>Serial N.º / Year</b>	<input type="text"/>
Seriennummer / Jahr   Seriennummer / Jaar   Numéro de série / Année   Numero di serie / Anno   Número de serie / Año   Número de série / Ano	
<b>Climate Class</b>	<input type="text" value="g"/>
Klimaklasse   Klimaat Klasse   Classe climatique   Classe climatica   Clase climática   Classe climática	
<b>Defrost power (W)</b>	<input type="text"/>
Abtauung Leistung   Ontdooi vermogen   Puissance dégivrage   Potenza sbrinatorio   Potencia desescarche   Potência descongelação	
<b>Door Heater Wire (W)</b>	<input type="text"/>
Heizleitungen der Tür   Verwarmingslint voor deur   Cordon chauffant porte   Resistenza elettrica porta   Resistencia calefactora puerta   Resistência elétrica porta	
<b>Light bulb (Max. W)</b>	<input type="text"/>
Glühbirne   Verlichtingsunit   Ampoule   Lampadina   Bombilla   Lâmpada	
en   de   nl   fr   it   es   pt	
PT-503403474	
	

Das Typenschild unserer Geräte befindet sich innerhalb des Geräts, auf der linken Innwand. Hier finden Sie die wichtigsten technischen Daten der Anlage und die Identifizierung des MODELLS und der SERIENUMMER. Letztere sind für irgendwelche Nachfragen beim Hersteller notwendig.



Die Europäische Richtlinie zu Elektro- und Elektronik-Altgeräte-Richtlinie (WEEE-Richtlinie) legt fest, dass am Ende des Nutzungszyklus das Equipment und alle seine Komponenten, Komponentengruppen und Materialien selektiv eingesammelt werden, um für die Entsorgung oder die Aufbereitung zur Wiederverbenutzung vorbereitet zu werden.

Werfen Sie nicht Geräte mit diesem Symbol in die Mülltonne.

Legende	
a) Spannung (V)	b) Frequenz (Hz)
c) Strom (A)	d) Leistung (W)
e) Kühlgas	f) Füllmenge (g)
g) KLIMAKLASSE	
4: 30°C, 55% RF	
5: 40°C, 40% RF	

## 3 Aufstellung

Der Bau und der Betrieb von jedem unserer Geräte wird rigoros in der Fabrik getestet, wie von der Prüfbericht beigefügt belegt. Prüfen Sie die Verpackung auf irgendwelche Schäden, die während des Transports aufgetreten sein könnten. Nehmen Sie die Verpackung ab und entfernen Sie die Plette vorsichtig. Achten Sie darauf, das Gerät nicht zu beschädigen. Nachdem die Verpackung entfernt wurde, prüfen Sie, ob das Gerät in gutem Zustand ist und ob die Spezifikationen denen der Bestellung entsprechen. Unser Bestreben nach technologischer Verbesserung kann an den in diesem Handbuch genannten Geräten zu Änderungen führen. Diese Änderungen müssen nicht vorher bekannt gegeben werden.

## 4 Installation



Die Installation soll immer entsprechend der Bauverordnungen, den Regeln und der guten Praxis zur Unfallverhütung, aktuelle lokale Normen und unter Einhaltung der Brandschutznormen vorgenommen werden. Die Installation, technische Wartung und andere Eingriffe sollen von spezialisierten und autorisierten Technikern durchgeführt werden. Die Nichteinhaltung dieser Bedingungen kann zum Verlust der Garantie führen.

### 4.1. Vorbereitung

Um Kratzer, Schmutz und Fingerabdrücke auf der Oberfläche zu vermeiden, entfernen Sie die PVC-Schutzfolie, ohne scharfe Instrumente aber mit Schutzhandschuhe.

### 4.2. Elektrischer Anschluss



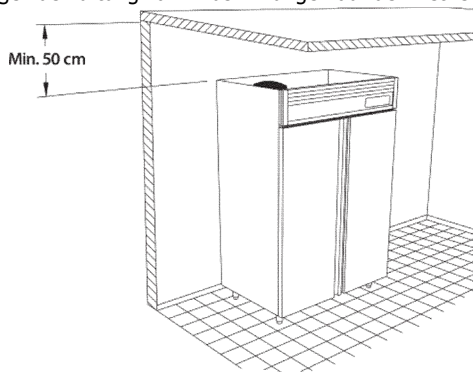
Das Gerät ist mit einem Stecker gemäß Prüfnormen und einer regulatorischen Netzkabel geliefert. Die Netzkabellänge ist ausreichend zum Einstecken in die Steckdose. Die zu benutzende Steckdose sollte leicht zugänglich, für den maximalen Verbrauch (siehe Übersicht Typenschild) zugelassen und geerdet sein. Niemals Steckdosen ohne Erdkabel, Adapter oder Verlängerungen benutzen. Beim direkten Anschluss ans Netz sollte immer ein den internationalen Normen entsprechender Trennschalter eingebaut werden.

### 4.3. Aufstellung und Einebnen

MNS00065\_00



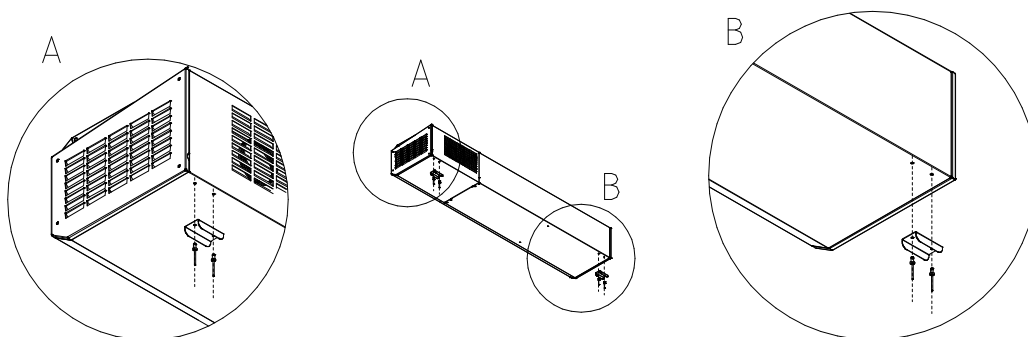
Das Gerät muss auf einer ebenen und festen Oberfläche installiert werden, um die Stabilität innerhalb von Stützpunkte zu sichern. Die höhenverstellbaren Teleskopfüßen sollten für präzise Einebnung eingestellt werden. Wählen Sie einen Ort, wo das Gerät weit entfernt von Wärmequellen (wie Z.B. Öfen oder Herde) und ohne direkte Sonneneinstrahlung aufzustellen. Sorgen Sie für gute Luftzirkulation um das Gerät, halten Sie den Abstand zwischen der Wand und die Rückwand des Gerätes. Das Lüftungsgitter soll niemals blockiert werden. Mangelnde Lüftung kann Auswirkungen auf den Betrieb und schwerer Schaden an der Anlage haben.



**4.4. Montage der Kühlaufsatz**

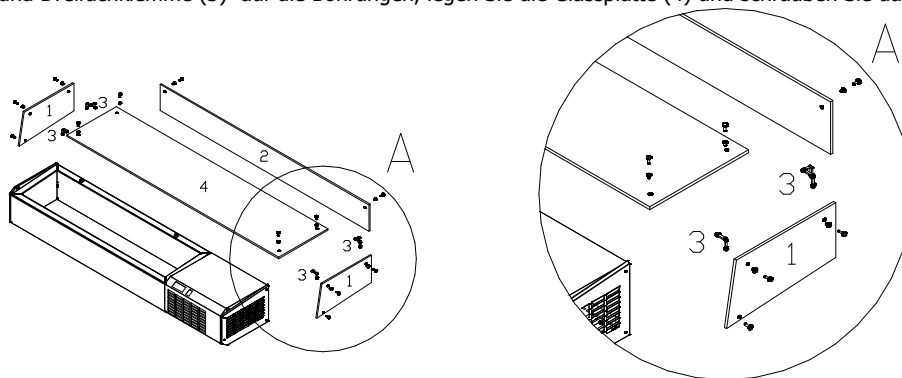
**4.4.1. Einstellung auf die Arbeitsplatte eines Pizza-Kühltisches**

Für eine sichere Einstellung zwischen der Kühlaufsatz und der Pizza-Kühltisch, muss der U-förmigen Adapter richtig eingesetzt werden. Bitte zentrieren Sie die Bohrungen des Adapters mit denen auf die Unterseiten des Kühlaufsatzes vor Befestigung die Blindnieten.



**4.4.2. Einstellung den Hustenschutz**

Legen Sie die seitlichen Glasscheiben (1), legen Sie die rückseitige Glasscheibe (2) an den Halterungen auf der Rückseite des Kühlaufsatzes. Befestigen Sie die Doppel- und Dreifachklemme (3) auf die Bohrungen, legen Sie die Glassplatte (4) und schrauben Sie dann.



**5 Instandhaltung**

**5.1. Gebrauch**

Unsere Kühlgeräte wurden für die Lagerung von Lebensmitteln und Lebensmittelprodukte im Allgemeinen entwickelt.

Um den Energieverbrauch zu reduzieren, den Betrieb der Anlagen zu optimieren, die Lebensdauer von Lebensmitteln zu verbessern und verlängern, beachten Sie bitte folgende Hinweise:

- ✓ Vermindern Sie die Häufigkeit und Dauer der Öffnungen von Türen und/oder Schubladen;
- ✓ Verteilen Sie die Lebensmittel um gute Luftzirkulation zwischen ihnen zu ermöglichen;
- ✓ Stellen Sie keine warmen Speisen;
- ✓ Die Lebensmittel nicht abdecken oder verpacken;
- ✓ Überschreiten Sie nicht die maximale Höhe mit diesem Symbol gekennzeichnet.

**5.2. Abtaung**

Die Abtauung unserer Geräte wird automatisch oder mit elektronischer Steuerung durchgeführt. Es kann auch manuell durchgeführt werden. In jedem Fall, verwenden Sie keine spitzen Gegenstände (wie Messer, Schraubenzieher usw.), um überschüssiges Eis zu entfernen. Bei Modellen mit automatischer Tauwasserverdunstung, wird das Tauwasser an dem Kälteaggregat kanalisiert. Bei anderen Modellen, wird das Tauwasser in eine Tauwasserschale, an der Unterseite der Möbel kanalisiert. Gießen Sie die Tauwasserschale regelmäßig. Nach Abtauung, halten Sie die Türen und/oder Schubladen geschlossen, um die Wiederherstellung der Temperatur zu beschleunigen.

**5.3.Reinigung des Geräts**

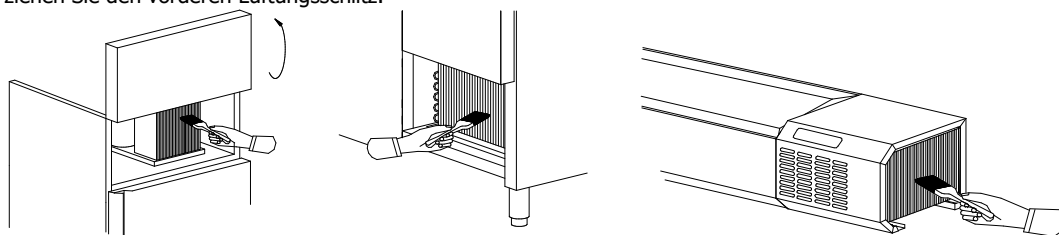
Um die richtige Pflege und Wartung zu gewährleisten, führen Sie die regelmäßige Reinigung des Geräts wie angegeben:

- ✓ Trennen Sie die Anlage von elektrischem Strom, ziehen Sie den Stecker oder schalten Sie den Schutzschalter;
- ✓ Reinigen Sie die Oberflächen mit einem Tuch imprägniert mit einer Lösung aus Wasser und milden Reinigungsmittel. Dann spülen Sie mit einem feuchten Tuch mit klarem Wasser und schließlich mit einem trockenen Tuch reinigen;
- ✓ Benutzen Sie keine sauren Reinigungsmittel mit Chlor (Z. B. Bleichlauge), kratzende Produkte (Z. B. Schwämme) oder Wasserstrahlen (Z. B. Schläuche).

**5.4.Reinigung des Kondensators**

Um die Funktionstüchtigkeit der Kühlanlage über lange Zeit zu erhalten, sollten Sie regelmäßig den Kondensator reinigen:

- ✓ Trennen Sie die Anlage von elektrischen Strom, ziehen Sie den Stecker oder schalten Sie den Schutzschalter;
- ✓ Lösen Sie den vornen Lüftungsschlitz, beachten Sie die Kabel nicht zu ziehen;
- ✓ Reinigen Sie die Kondensatorrippen mit einem Staubsauger (bevorzugt) oder mit einer weichen Bürste;
- ✓ Am Ende, ziehen Sie den vorderen Lüftungsschlitz.

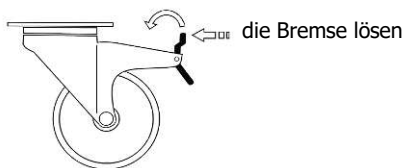
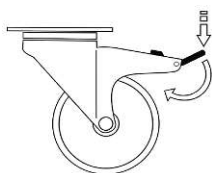


**5.5.Bei längerer Nichtbenutzung**

Immer bei längerer Nichtbenutzung des Geräts, leeren Sie es und reinigen Sie die Anlage und den Kondensator wie oben beschrieben. Am Ende trennen Sie es von elektrischen Strom, lassen Sie die Türen geöffnet um Geruch zu verhindern.

**5.6.Hinweise für den Betrieb der Bremse**

zu bremsen



**5.7. Störungen**

Wenn Störungen auftreten, sehen Sie die folgende Checkliste, um das Problem und seine möglichen Lösungen zu ermitteln. Wenn das Problem weiterhin besteht, sollten Sie den Kundendienst anrufen.

Symptom	Überprüfen
Das Gerät und die Steuerung funktionieren nicht	Prüfen Sie, ob die Beschlagnahme den Geräte angeschlossen ist
	Beachten Sie, wenn es eine durchgebrannte Sicherung oder Leistungsschalter ausgeschaltet ist
	Prüfen Sie, ob der Strom genommen
	Überprüfen Sie das Stromkabel
Das Gerät funktioniert nicht aber die Steuerung funktioniert	Verwenden Sie Kein Verlängerungskabel
	Überprüfen Sie die Temperatureinstellung
	Stellen Sie sich, dass es ausreichende Luftzirkulation innerhalb der Einheit gibt
Das Gerät macht nicht genug Kalt	Reinigen Sie den Kondensator
	Überprüfen Sie die Temperatureinstellung
	Stellen Sie sich, dass es ausreichende Luftzirkulation innerhalb der Einheit gibt
	Überprüfen Sie, dass die Lüftungsschlitze nicht blockiert sind
	Reinigen Sie den Kondensator
Das Gerät macht zu viel Kalt	Überprüfen Sie die Türdichtungen
	Überprüfen Sie, dass die Wasseraustritte nicht blockiert sind
Das Gerät macht zu viel Kalt	Überprüfen Sie die Temperatureinstellung
Das Gerät arbeitet kontinuierlich	Reinigen Sie den Kondensator
	Reinigen Sie die Türdichtungen
Das Gerät startet und stoppt häufig	Reinigen Sie den Kondensator



## INDEX

<b>1</b>	<b>BERICHT VAN DE FABRIKANT</b> .....	<b>13</b>
<b>2</b>	<b>TYPEPLAAT</b> .....	<b>13</b>
<b>3</b>	<b>AFLEVERING</b> .....	<b>13</b>
<b>4</b>	<b>INSTALLATIE</b> .....	<b>13</b>
<b>4.1.</b>	<b>VOORBEREIDING</b> .....	<b>13</b>
<b>4.2.</b>	<b>AANSLUITING OP DE ELEKTRICITEIT</b> .....	<b>13</b>
<b>4.3.</b>	<b>PLAATSING</b> .....	<b>14</b>
<b>4.4.</b>	<b>MONTAGE VAN DE GEKOELDE OPZETVITRINE</b> .....	<b>14</b>
<b>4.4.1.</b>	<b>MONTAGE VAN DE GEKOELDE OPZETVITRINE OP BLAD VAN EEN PIZZAWERKBANK</b> .....	<b>14</b>
<b>5</b>	<b>GEBRUIK</b> .....	<b>14</b>
<b>5.1.</b>	<b>RICHTLIJNEN</b> .....	<b>14</b>
<b>5.2.</b>	<b>ONTDOOIEN</b> .....	<b>14</b>
<b>5.3.</b>	<b>SCHOONMAAK</b> .....	<b>14</b>
<b>5.4.</b>	<b>REINIGING CONDENSER</b> .....	<b>14</b>
<b>5.5.</b>	<b>LANGDURIG BUITEN GEBRUIK</b> .....	<b>15</b>
<b>5.6.</b>	<b>LOKALISEREN STORINGEN</b> .....	<b>15</b>

## 1 Bericht van de fabrikant

Dank u wel voor uw keuze: Onze apparaten zijn ontworpen met het oog op de best mogelijke opslagcondities voor elk type voedsel en voldoen aan alle toepasselijke Europese richtlijnen en normen, gericht op het praktische en veilige gebruik ervan, overeenkomstig uw verwachtingen en eisen.

## 2 Typeplaat

<b>Model</b>	<input type="text"/>
Modell   Model   Modèle   Modello   Modelo   Modelo	
<b>Product Code</b>	<input type="text"/>
Artikelnummer   Artikelnummer   Code article   Codice articolo   Código producto   Código artigo	
<b>Serial N.º / Year</b>	<input type="text"/>
Seriennummer / Jahr   Seriennummer / Jahr   Numéro de série / Année   Numero di serie / Anno   Número de serie / Año   Número de série / Ano	
<b>Climate Class</b>	<input type="text" value="g"/>
Klimaklasse   Klimaat klasse   Classe climatique   Classe climatica   Clase climática   Classe climática	
<b>Defrost power (W)</b>	<input type="text"/>
Abtauung Leistung   Ontdooi vermogen   Puissance dégivrage   Potenza sbrinatorio   Potencia desescarche   Potência descongelação	
<b>Door Heater Wire (W)</b>	<input type="text"/>
Heizleitungen der Tür   Verwarmingslint voor deur   Cordon chauffant porte   Resistenza elettrica porta   Resistencia calefactora puerta   Resistència elèctrica porta	
<b>Light bulb (Max. W)</b>	<input type="text"/>
Glühbirne   Verlichtingsunit   Ampoule   Lampadina   Bombilla   Lâmpada	
en   de   nl   fr   it   es   pt	
PT-503403474	
	

Het typeplaatje bevindt zich aan de binnenzijde van de deur. Daar vindt u de belangrijkste technische gegevens van het apparaat en de beschrijving van het MODEL en het SERIENUMMER. U hebt die gegevens nodig als u om welke reden dan ook contact opneemt met de fabrikant



De Europese richtlijn betreffende afgedankte elektrische en elektronische apparatuur (AEEA) bepaalt dat aan het einde van de levensduur de apparaten en alle onderdelen, subeenheden en verbruiksmaterialen gescheiden moeten worden ingezameld en verwerkt, met het oog op verwijdering, recycling of hergebruik ervan. Apparaten met dit symbool mogen niet worden gestort als ongesorteerd stedelijk afval.

Legenda	
a) Spanning (V)	b) Frequentie (Hz)
c) Stroom (A)	d) Vermogen (W)
e) Koelgas	f) Gascapaciteit (g)
g) KLIMAAT KLASSE	
4: 30°C, 55% RH	
5: 40°C, 40% RH	

## 3 Aflevering

De montage en werking van al onze apparaten worden streng gecontroleerd in de fabriek, zoals blijkt uit het in bijlage bijgevoegde testrapport. Aangezien er tijdens het transport schade kan ontstaan dient u na het uitpakken de algemene staat van het apparaat goed te bekijken. Controleer daarna of de eigenschappen ervan overeenkomen met de gegevens van de bestelling.

Wij wijzen erop dat ons voortdurende streven naar technische verbeteringen ertoe kan leiden dat zonder waarschuwing vooraf wijzigingen worden aangebracht op de in deze handleiding beschreven modellen.

## 4 Installatie

Installatie dient te gebeuren overeenkomstig de bouwverordeningen, brandveiligheidsinstructies, regelgeving ter voorkoming van ongelukken en de geldende lokale normen.



Installatie, onderhoud en overige ingrepen dienen uitsluitend door bevoegde en gespecialiseerde deskundigen te worden uitgevoerd, met gebruikmaking van originele onderdelen. De fabrikant is niet aansprakelijk voor onjuist gebruik of het niet opvolgen van de instructies in deze handleiding.

### 4.1. Voorbereiding

Om krassen plekjes en vingerafdrukken te voorkomen dient de beschermende folie met handschoenen te worden verwijderd zonder gebruik te maken van scherpe voorwerpen.

### 4.2. Aansluiting op de elektriciteit

Dit apparaat is voorzien van een aansluitpunt dat voldoet aan de standaardvoorwaarden en met een stroomkabel die lang genoeg is voor aansluiting op een stopcontact.



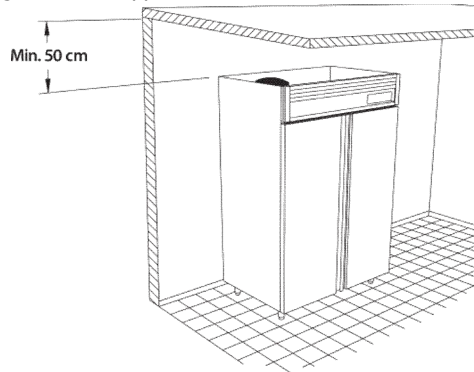
Het stopcontact moet makkelijk te bereiken en geschikt zijn voor het maximale stroomverbruik (zie technische gegevens). Het moet GEAARD zijn. Gebruik nooit ongeaarde stopcontacten en stekkers en ook geen adapters of verlengsnoeren.

Bij rechtstreekse verbindingen met het elektriciteitsnetwerk moet een schakelaar (stroomonderbreker) worden ingebouwd die voldoet aan de internationale normen.

### 4.3. Plaatsing



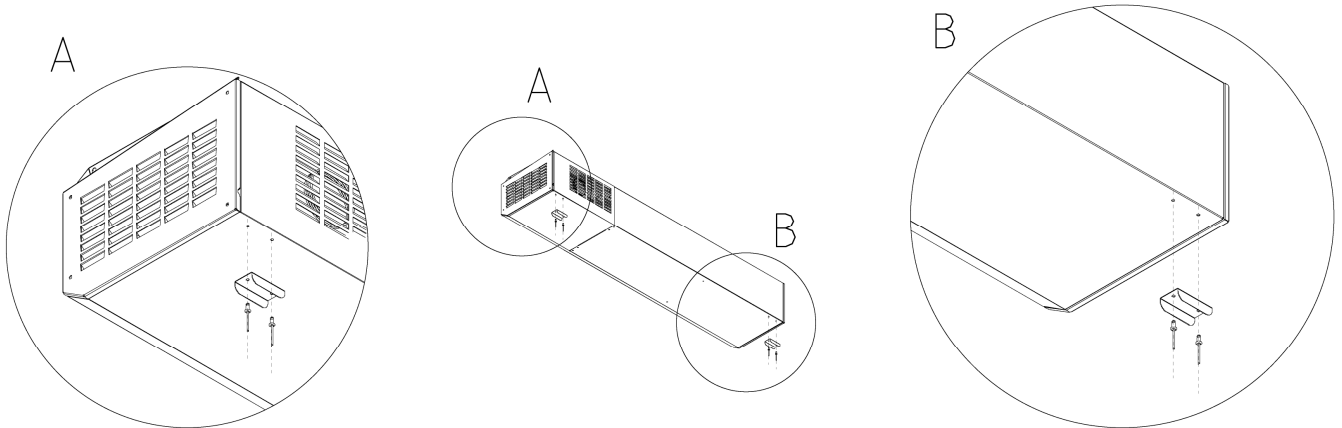
Het apparaat moet worden geïnstalleerd op een rechte en vaste ondergrond om de stabiliteit van de steunpunten te waarborgen. Plaats het apparaat niet in de buurt van warmtebronnen (bijv. ovens of fornuizen) en uit het directe zonlicht. Zorg voor goede luchtcirculatie rondom het apparaat vooral de bovenzijde min. 50 cm zoals aangegeven in de tekening. Volg de aangegeven afstanden en zorg ervoor dat het rooster aan de voorzijde nooit is bedekt: gebrek aan ventilatie veroorzaakt storing in het gebruik en kan leiden tot ernstige beschadigingen van het apparaat.



### 4.4. Montage van de gekoelde opzetvitrine

#### 4.4.1. Montage van de gekoelde opzetvitrine op blad van een pizzawerkbank


Voor een veilige montage van de opzetvitrine op de pizzawerkbank, moet het U-vormige beugeltje correct bevestigd worden. Centreer hiervoor de gaten van het beugeltje met die aan de onderzijde van de opzetvitrine voordat u de popnagels bevestigt.



## 5 Gebruik

### 5.1. Richtlijnen

Onze gekoelde producten zijn ontworpen voor het bewaren van levensmiddelen en producten in het algemeen. Om het energieverbruik te verminderen, de bediening te vereenvoudigen, de werking te verbeteren en de bewaarduur van het voedsel te verlengen dienen de volgende voorwaarden: in acht genomen te worden.

- ✓ Beperk zoveel mogelijk aantal openingen, en de duur van het openen.
- ✓ Zorg voor ruimte tussen de producten om goede luchtcirculatie te kunnen hebben.
- ✓ Plaats geen warm voedsel.
- ✓ Dek voedsel zoveel mogelijk af.
- ✓ Overschrijd niet het maximale hoogte symbool 

### 5.2. Ontdooien

Het apparaat is voorzien van automatische ontdooiing, welke echter ook handmatig kan worden uitgevoerd. Gebruik in elk geval nooit scherpe voorwerpen (als messen schroevendraaiers ed.) om mogelijk aangezet ijs te verwijderen. Lekwater wordt opgevangen in een lekbak en automatisch verdampt door de koelunit. In modellen zonder automatische verdamping, wordt ontdooiwater opgevangen in een schaal onder de koelunit waar het automatisch verdampt, moet deze schaal regelmatig geleegd worden. Het is aan te raden de deuren na het ontdooien niet te openen zodat het temperatuurniveau sneller behaald wordt.

### 5.3. Schoonmaak

Om de hygiëne te waarborgen en het apparaat goed te verzorgen dient u het regelmatig schoon te maken overeenkomstig de volgende voorschriften:

- ✓ Verbreek de verbinding met de elektriciteit door de stekker uit het stopcontact te halen of de schakelaar om te zetten;
- ✓ Maak de oppervlakten zorgvuldig schoon met een vochtige doek met water en een neutraal schoonmaakmiddel; neem het daarna af met een vochtige doek met schoon water en vervolgens met een droge doek;
- ✓ Gebruik geen bijtende schoonmaakmiddelen of middelen op chloorbasis (bijv. bleekwater), geen schuurmiddelen (zoals schuursponsjes) en geen harde waterstralen (bijv. uit een slang).

### 5.4. Reiniging Condenser

Voor langdurige en goede werking van het koelsysteem dient de condensor regelmatig te worden gereinigd

- ✓ Verbreek de verbinding met de elektriciteit door de stekker uit het stopcontact te halen of de schakelaar om te zetten;
- ✓ Schroef het ventilatierooster los; let op de snoeren, zet die niet onder spanning;
- ✓ Maak zorgvuldig de lamellen van de condensator schoon met (bij voorkeur) een stofzuiger of een zachte borstel;
- ✓ Zet daarna het ventilatierooster weer op zijn plaats vast.

**5.5.Langdurig buiten gebruik**

Als het apparaat gedurende lange tijd niet gebruikt zal worden dient deze leeggehaald te worden, en moet u bovenstaande schoonmaak- en onderhoudshandelingen uitvoeren. Om nare geuren te voorkomen kunt u het beste de deur open laten.

**5.6.Lokaliseren storingen**

Indien u een defect constateert raadpleeg onderstaande controlelijst voor mogelijke oplossingen. Indien het probleem zich blijft voordoen raadpleeg onze servicedienst.

<b>Symptoom</b>	<b>Kontroleer</b>
Apparaat werkt niet en display geeft niets weer	Kontroleer of de stekker in wandcontactdoos zit
	Kontroleer schakelaar en zekering
	Check of op het stopcontact wel spanning staat.
	Kontroleer voedingskabel op schade
	Verwijder evt aanwezige verlengkabels
Apparaat werkt niet en maar display werkt wel	Kontroleer temperatuur setpoint
	Kontroleer of er voldoende luchtstroming in apparaat kan plaatsvinden.
	Reinig de condensor
Apparaat koelt niet voldoende	Kontroleer temperatuur setpoint
	Kontroleer of er voldoende luchtstroming in apparaat kan plaatsvinden.
	Kontroleer of de ventilatieopeningen niet afgedekt zijn.
	Reinig de condensor
	Reinig en controleer de deurrubbers
Apparaat wordt te koud	Kontroleer temperatuur setpoint
Apparaat draait continue	Reinig de condensor
	Reinig en controleer de deurrubbers
Apparaat start en stopt geregeld.	Reinig de condensor







## ÍNDICE

<b>1</b>	<b>NOTA DO FABRICANTE</b> .....	<b>16</b>
<b>2</b>	<b>PLACA DE CARACTERÍSTICAS</b> .....	<b>16</b>
<b>3</b>	<b>RECEÇÃO</b> .....	<b>16</b>
<b>4</b>	<b>INSTALAÇÃO</b> .....	<b>16</b>
<b>4.1.</b>	<b>PREPARAÇÃO</b> .....	<b>16</b>
<b>4.2.</b>	<b>LIGAÇÃO ELÉTRICA</b> .....	<b>16</b>
<b>4.3.</b>	<b>POSICIONAMENTO E NIVELAMENTO</b> .....	<b>16</b>
<b>4.4.</b>	<b>MONTAGEM DE UM KIT REFRIGERADO</b> .....	<b>17</b>
<b>4.4.1.</b>	<b>FIXAÇÃO NO TAMPO DE UMA BANCADA DE PIZZA</b> .....	<b>17</b>
<b>4.4.1.</b>	<b>FIXAÇÃO DOS VIDROS</b> .....	<b>17</b>
<b>5</b>	<b>UTILIZAÇÃO</b> .....	<b>17</b>
<b>5.1.</b>	<b>INDICAÇÕES</b> .....	<b>17</b>
<b>5.2.</b>	<b>DESCONGELAÇÃO</b> .....	<b>17</b>
<b>5.3.</b>	<b>LIMPEZA DO EQUIPAMENTO</b> .....	<b>17</b>
<b>5.4.</b>	<b>LIMPEZA DO CONDENSADOR</b> .....	<b>18</b>
<b>5.5.</b>	<b>INATIVIDADE PROLONGADA</b> .....	<b>18</b>
<b>5.6.</b>	<b>UTILIZAÇÃO DO TRAVÃO DOS RODÍZIOS</b> .....	<b>18</b>
<b>5.7.</b>	<b>ANOMALIAS</b> .....	<b>18</b>

## 1 Nota do Fabricante

Agradecemos a sua preferência pelos nossos equipamentos. Concebemo-los para proporcionarem as melhores condições de conservação para cada tipo de alimentos, desenvolvemo-los em conformidade com todas as diretivas e normas europeias aplicáveis, e produzimo-los com o objetivo de proporcionar uma utilização prática e segura que vá de encontro às suas expectativas e necessidades.

## 2 Placa de Características

<b>Model</b>	<input type="text"/>
Modell   Model   Modèle   Modello   Modelo   Modelo	
<b>Product Code</b>	<input type="text"/>
Artikelnummer   Artikelnummer   Code article   Codice articolo   Código producto   Código artigo	
<b>Serial N.º / Year</b>	<input type="text"/>
Seriennummer / Jahr   Seriennummer / Jaar   Numéro de série / Année   Numero di serie / Anno   Número de serie / Año   Número de série / Año	
<b>Climate Class</b>	<input type="text" value="g"/>
Klimaklasse   Klimaat Klasse   Classe climatique   Classe climatica   Clase climática   Classe climática	
<b>Defrost power (W)</b>	<input type="text"/>
Abtauung Leistung   Ontdooi vermogen   Puissance dégivrage   Potenza sbrinamento   Potencia desescarche   Potência descongelação	
<b>Door Heater Wire (W)</b>	<input type="text"/>
Heizleitungen der Tür   Verwarmingslint voor deur   Cordon chauffant porte   Resistenza elettrica porta   Resistencia calefactora puerta   Resistència eléctrica porta	
<b>Light bulb (Max. W)</b>	<input type="text"/>
Glühbirne   Verlichtingsunit   Ampoule   Lampadina   Bombilla   Lámpada	
en   de   nl   fr   it   es   pt	
PT-503403474	
	
	

A placa de características dos nossos equipamentos vai colocada no interior do equipamento, no painel lateral esquerdo. Nela encontrará os principais dados técnicos do equipamento e a identificação do MODELO e Nº SÉRIE, fundamentais para qualquer consulta ao fabricante.



A diretiva europeia sobre Resíduos de Equipamentos Elétricos e Eletrónicos (REEE) determina que, no final do seu ciclo de vida, o equipamento e todos os seus componentes, subconjuntos e materiais consumíveis devem ser objeto de recolha seletiva para tratamento que permita a sua eliminação, reciclagem ou reutilização. Não deposite equipamentos com este símbolo juntamente com resíduos urbanos indiferenciados.

Legenda	
a) Tensão (V)	b) Frequência (Hz)
c) Corrente (A)	d) Potência (W)
e) Refrigerante	f) Carga de refrigerante (g)
g) CLASSE CLIMÁTICA	
4: 30°C, 55% HR	
5: 40°C, 40% HR	

## 3 Receção

A construção e funcionamento de cada um dos nossos equipamentos são rigorosamente controlados na fábrica, como comprova o relatório de ensaio anexo. Dada a possibilidade de ocorrência de danos causados pelo transporte, verifique atentamente o estado geral do equipamento depois de desembalado. Seguidamente, confirme se as características correspondem às especificações da ordem de compra. Recordamos que a nossa busca constante de melhoramentos tecnológicos poderá acarretar alterações sem aviso prévio nos modelos abrangidos por este manual.

## 4 Instalação

A instalação deve ser efectuada atendendo aos regulamentos referentes à construção de edifícios, às normas de protecção contra incêndios, às regras de prevenção de acidentes e à legislação local em vigor. Todas as intervenções de instalação e manutenção devem apenas ser efectuadas por técnicos especializados e autorizados, utilizando peças e componentes originais. O fabricante declina toda a responsabilidade quer pelo funcionamento defeituoso quer pelos danos ou prejuízos resultantes do não cumprimento das recomendações deste manual.

### 4.1. Preparação

Para evitar riscos, manchas e dedadas na superfície, remova a película de protecção em plástico sem utilizar instrumentos afiados e utilize luvas de protecção.

### 4.2. Ligação elétrica

O aparelho é fornecido com uma ficha conforme as normas de ensaio e com um cabo de alimentação regulamentar cujo comprimento é suficiente para permitir a ligação à tomada de corrente. A tomada de corrente deve ser de fácil acesso e dimensionada para o consumo máximo (ver placa de características), devendo possuir FIO DE TERRA. Nunca utilize tomadas ou fichas sem fio de terra, nem adaptadores ou extensões. Para ligações directas à rede, deve instalar sempre um dispositivo de interrupção (disjuntor) dimensionado de acordo com as normas internacionais.

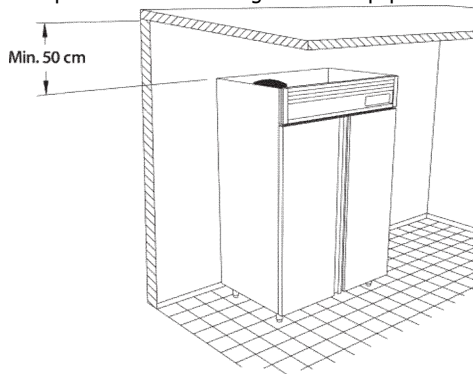
### 4.3. Posicionamento e nivelamento

MNS00065\_00





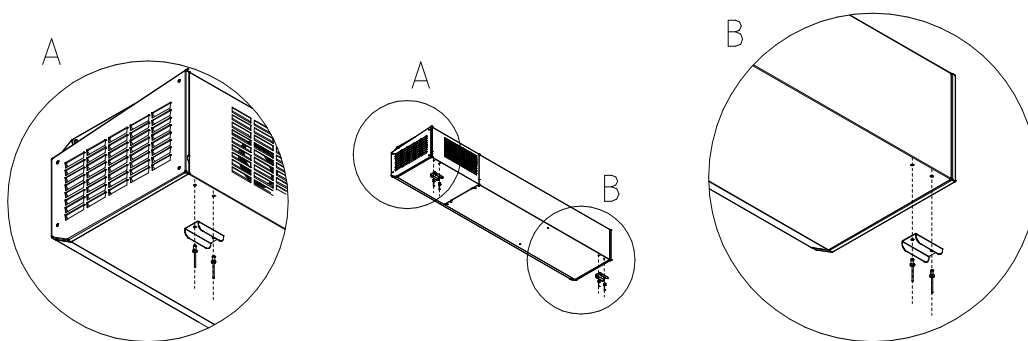
O equipamento deve ser instalado sobre uma superfície plana e resistente, de modo a garantir a estabilidade nos apoios, afastado de possíveis fontes de calor (p.ex. fornos ou fogões) e sem incidência de luz solar direta. Garanta uma boa circulação do ar em redor do equipamento, respeite as distâncias recomendadas e mantenha as grelhas de ventilação desobstruídas: a falta de ventilação prejudica o funcionamento e pode levar a avarias graves do equipamento.



#### 4.4. Montagem de um kit refrigerado

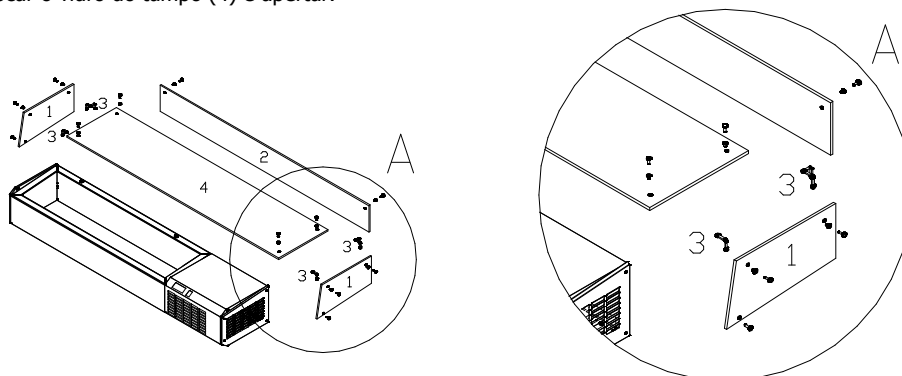
##### 4.4.1. Fixação no tampo de uma bancada de pizza

Para uma colocação segura entre o kit refrigerado e a bancada de pizza, fixar correctamente o adaptador em forma de U. Por favor centre os orifícios do adaptador com os orifícios da parte inferior do kit refrigerado antes de fixar os rebites ocultos.



##### 4.4.1. Fixação dos vidros

Posicionar os vidros laterais (1), colocar o vidro posterior (2) nas fixações do painel posterior do kit refrigerado. Fixar os suportes duplos e tripos (3) nos orifícios, colocar o vidro do tampo (4) e apertar.



## 5 Utilização

### 5.1. Indicações

Os nossos equipamentos refrigerados foram concebidos para a conservação de alimentos e produtos alimentares em geral. Para reduzir o consumo energético e otimizar o funcionamento do equipamento, e também melhorar e prolongar a vida útil dos alimentos, respeite as seguintes indicações:

- ✓ Reduza a frequência e a duração das aberturas de portas e/ou gavetas;
- ✓ Espace os alimentos para permitir uma boa circulação do ar entre eles;
- ✓ Não introduza alimentos quentes;
- ✓ Procure cobrir ou embalar os alimentos;
- ✓ Não ultrapasse o limite de altura assinalado com o símbolo

### 5.2. Descongelação

A descongelação dos nossos equipamentos é efetuada automaticamente com controlo eletrónico, que pode também ser acionado manualmente. Em qualquer dos casos, não utilize objetos afiados (tais como facas, chaves de fendas, etc.) para remover o eventual excesso de gelo. Nos modelos que dispõem de um sistema automático de evaporação das águas, as águas de descongelação são canalizadas para o grupo frigorífico. Nos outros modelos, as águas de descongelação são canalizadas para uma aparadeira localizada no fundo do móvel, despeje regularmente a aparadeira. Após a descongelação, mantenha as portas e/ou gavetas fechadas para acelerar a recuperação da temperatura.

### 5.3. Limpeza do equipamento

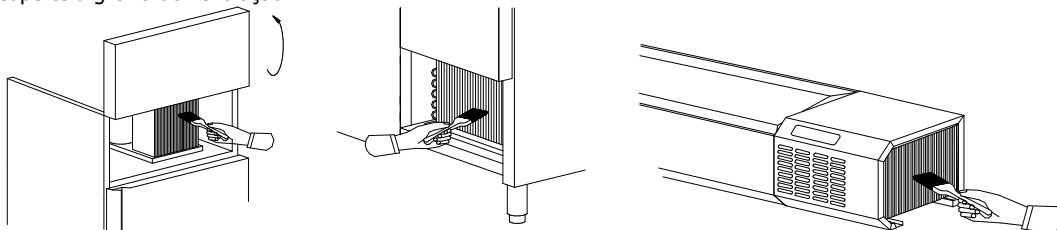
Para assegurar uma correta higiene e conservação, efetue a limpeza regular do equipamento conforme indicado:

- ✓ Desligue o aparelho da corrente, retirando a ficha ou desligando o disjuntor.
- ✓ Limpe cuidadosamente as superfícies usando um pano humedecido numa solução de água com detergente neutro; depois enxague com um pano humedecido em água limpa e, no final, passe um pano seco.
- ✓ Não utilize produtos de limpeza ácidos ou à base de cloro (p/ex. lixívia), nem materiais abrasivos (p/ex. esfregões), nem água sob pressão (p/ex. mangueiras).

#### 5.4. Limpeza do condensador

Para assegurar uma longa duração e um funcionamento correto do sistema frigorífico, deve limpar regularmente o condensador conforme indicado:

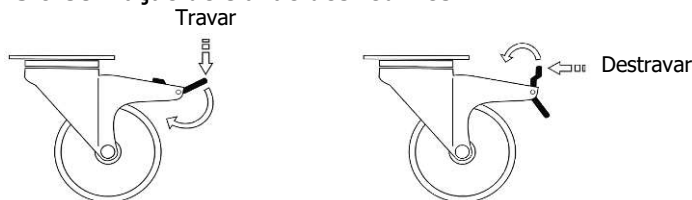
- ✓ Desligue o aparelho da corrente, retirando a ficha ou desligando o disjuntor;
- ✓ Desaperte e abra a grelha de ventilação, tendo atenção para não esticar os cabos elétricos;
- ✓ Limpe cuidadosamente as alhetas do condensador com um aspirador (preferencialmente) ou com uma escova macia;
- ✓ No final, reaperte a grelha de ventilação.



#### 5.5. Inatividade Prolongada

Sempre que seja previsível um longo período de inatividade do equipamento, esvazie-o totalmente e efetue as operações de limpeza acima descritas. No final, deixe-o desligado da tomada de corrente e com as portas entreabertas para evitar a formação de odores.

#### 5.6. Utilização do travão dos rodízios



#### 5.7. Anomalias

Caso detete uma anomalia no funcionamento, consulte a lista de verificações abaixo para identificar o problema e as suas possíveis soluções. Se ainda assim o problema persistir, contacte os serviços de assistência técnica.

Sintoma	Verificação
Equipamento não funciona e o display também não	Veja se a ficha está corretamente inserida na tomada de corrente
	Controle se o fusível está fundido ou se o disjuntor disparou
	Veja se a tomada tem corrente
	Inspecione se cabo de alimentação tem algum corte
	Elimine qualquer extensão que esteja a usar
Equipamento não funciona mas o display sim	Controle o Set Point da temperatura
	Certifique-se que há boa circulação de ar no interior do equipamento
	Limpe o condensador
Equipamento não faz frio suficiente	Controle o Set Point da temperatura
	Certifique-se que há boa circulação de ar no interior do equipamento
	Controle se as grelhas de ventilação estão desobstruídas
	Limpe o condensador
	Limpe os vedantes magnéticos da porta
Equipamento faz demasiado frio	Veja se as saídas de água estão desobstruídas
	Controle o Set Point da temperatura
Equipamento funciona continuamente	Limpe o condensador
	Limpe os vedantes magnéticos da porta
Equipamento arranca e para frequentemente	Limpe o condensador

**SOMMARIO**

**1** **NOTA DEL FABBRICANTE** ..... 19

**2** **ETICHETTA**..... 19

**3** **RICEVIMENTO**..... 19

**4** **INSTALLAZIONE**..... 19

**4.1.** **PREPARAZIONE**..... 19

**4.2.** **COLLEGAMENTO ELETTRICO**..... 19

**4.3.** **POSIZIONAMENTO E LIVELLAMENTO**..... 19

**4.4.** **MONTAGGIO DI UNA MENSOLA REFRIGERATA** ..... 20

**4.4.1.** **FISSAGGIO NEL PIANO DI UN BANCO DI PIZZA** ..... 20

**4.4.1.** **FISSAGGIO DEI VETRI** ..... 20

**5** **UTILIZZAZIONE** ..... 20

**5.1.** **INDICAZIONI**..... 20

**5.2.** **SBRINAMENTO**..... 20

**5.3.** **PULIZIA**..... 21

**5.4.** **PULIZIA DEL CONDENSATORE** ..... 21

**5.5.** **INATTIVITÀ PROLUNGATA** ..... 21

**5.6.** **FUNZIONAMENTO DEL FRENO DELLE RUOTE** ..... 21

**5.7.** **ANOMALIE** ..... 21

**1 Nota del Fabricante**

La ringraziamo e ci complimentiamo con Lei per avere acquistato le nostre apparecchiature. Le nostre apparecchiature sono state concepite per fornire le migliori condizioni di conservazioni di ogni tipo di alimento e sono state costruite osservando rigorosamente tutte le direttive e le normative europee applicabili con l'obiettivo di procurare un utilizzo pratico e sicuro che vada incontro alle sue aspettative e necessità.

**2 Etichetta**

<b>Model</b> Modell   Model   Modèle   Modello   Modelo   Modelo	<input type="text"/>						
<b>Product Code</b> Artikelnummer   Artikelnummer   Code article   Codice articolo   Código producto   Código artigo	<input type="text"/>						
<b>Serial N.º / Year</b> Seriennummer / Jahr   Seriennummer / Jahr   Numéro de série / Année   Numero de serie / Año   Número de serie / Año   Número de série / Ano	<input type="text"/>						
<b>Climate Class</b> Klimaklasse   Klimaat Klasse   Classe climatique   Classe climatica   Classe climática	<input type="text" value="g"/>						
<b>Defrost power (W)</b> Abtauung Leistung   Ontdooi vermogen   Puissance dégivrage   Potenza sbrinamento   Potencia desescarche   Potência descongelação	<input type="text"/>						
<b>Door Heater Wire (W)</b> Heizleitungen der Tür   Verwarmingslint voor deur   Cordon chauffant porte   Resistenza elettrica porta   Resistencia calefactora puerta   Resistència elèctrica porta	<input type="text"/>						
<b>Light bulb (Max. W)</b> Glühbirne   Verlichtingsunit   Ampoule   Lampadina   Bombilla   Lämpäda	<input type="text"/>						
en   de   nl   fr   it   es   pt	<table border="1"> <tr> <td>a)</td> <td>b)</td> </tr> <tr> <td>c)</td> <td>d)</td> </tr> <tr> <td>e)</td> <td>f)</td> </tr> </table>	a)	b)	c)	d)	e)	f)
a)	b)						
c)	d)						
e)	f)						
PT-503403474							

Un'etichetta delle caratteristiche delle nostre apparecchiature è posta all'interno della apparecchiatura, nel pannello laterale sinistro. Vi si possono trovare i principali dati tecnici dell'apparecchiatura e l'identificazione del MODELLO e N° di SERIE, importanti per la qualsiasi richiesta al fabbricante.



La direttiva europea sui rifiuti di apparecchiature elettriche ed elettroniche (RAEE), prevede che, al termine del suo ciclo di vita, l'apparecchiatura e tutti i suoi componenti, sottoinsiemi e materiali di consumo devono essere raccolti separatamente per il trattamento che permetta la loro eliminazione, riutilizzo o riciclo. Non smaltire le apparecchiature con questo simbolo insieme ai rifiuti domestici indifferenziati.

Legenda	
a) Tensione (V)	b) Frequenza (Hz)
c) Corrente (A)	d) Potenza (W)
e) Gas Refrigerante	f) Carica del Gas (g)
g) CLASSE CLIMATICA 4: 30°C, 55% UR 5: 40°C, 40% UR	

**3 Ricevimento**

La costruzione e il funzionamento di ciascuna delle nostre attrezzature sono rigorosamente controllate in fabbrica, come evidenziato dalla relazione di prova allegata. Data la possibilità di danni causati dal trasporto, verificare attentamente le condizioni generali delle apparecchiature dopo il disimballo. Successivamente, confermare che le caratteristiche corrispondano alle specifiche dell'ordine di acquisto. Ricordiamo che la nostra continua ricerca di miglioramenti tecnologici può portare a modifiche senza preavviso dei modelli contemplati in questo manuale.

**4 Installazione**

L'installazione deve essere effettuata attenendosi sempre ai regolamenti relativi alla costruzione di edifici e norme contro gli incendi, regole in vigore sulla prevenzione di infortuni e alle norme locale in vigore. L'installazione, manutenzione e tutti gli altri interventi devono essere effettuati solo da personale specializzato e autorizzato, utilizzando solo ricambi originali. Il produttore declina ogni responsabilità per qualsiasi uso improprio dei prodotti, per i danni o perdite derivanti dalla mancata osservanza delle raccomandazioni contenute in questo manuale.

**4.1. Preparazione**

Per evitare graffi superficiali, macchie e impronte digitali sulla superficie, rimuovere la pellicola protettiva in PVC senza utilizzare strumenti affilati utilizzando guanti di protezione.

**4.2. Collegamento elettrico**



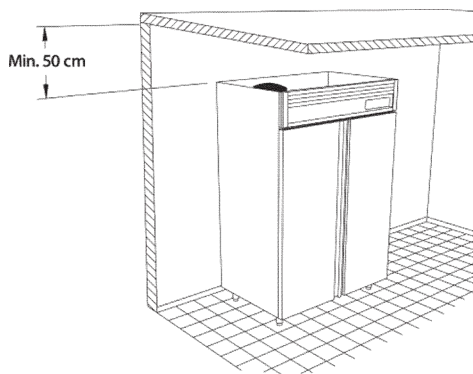
L'unità è fornita con una spina secondo le norme di collaudo e un cavo di alimentazione regolamentare, la cui lunghezza è sufficiente per consentire la connessione alla rete. La presa deve essere facilmente accessibile ed essere dimensionata per il consumo di potenza massima (vedi targhetta), e deve avere il FILO DI TERRA. Non utilizzare mai prese o spine senza terra, multiple o adattatori. Per i collegamenti diretti alla rete, è sempre opportuno installare un dispositivo di interruttore (RCD) adatto alle norme internazionali.

**4.3. Posizionamento e livellamento**

MNS00065\_00



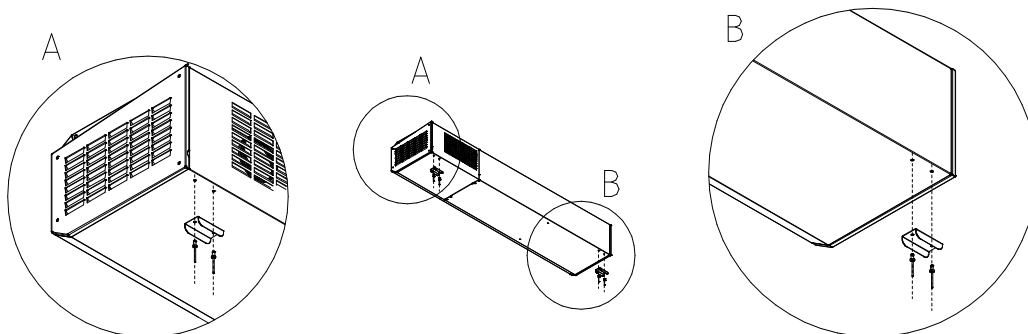
L'apparecchiatura deve essere installata su una superficie piana e robusta, per assicurare la stabilità sui punti di appoggio. Scegliere un luogo di installazione in cui l'apparecchiatura sia lontano da possibili fonti di calore (es. forni o fuochi) e nessuna luce diretta del sole. Assicurare una buona circolazione dell'aria intorno al prodotto, rispettando le distanze consigliate e non lasciare mai ostruire la griglia anteriore: la mancanza di ventilazione può compromettere seriamente il funzionamento e può portare a gravi danni alle apparecchiature.



#### 4.4. Montaggio di una mensola refrigerata

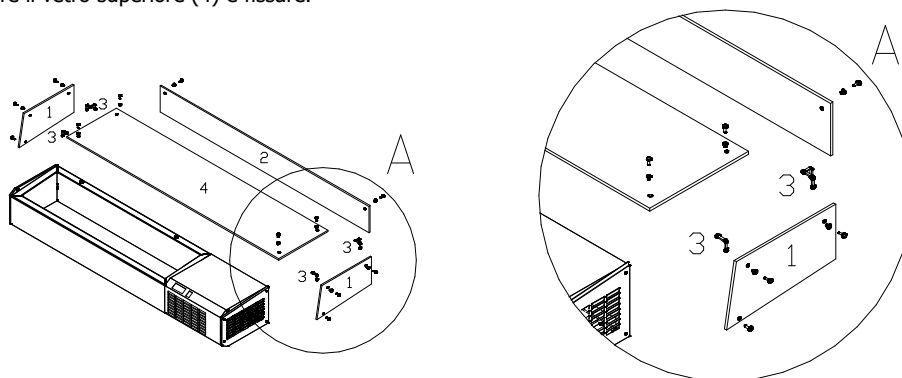
##### 4.4.1. Fissaggio nel piano di un banco di pizza

Per un posizionamento sicuro tra la mensola refrigerata e il banco di pizza, fissare correttamente l'adattatore a forma di U. Si prega di centrare i fuori dell'adattatore con quelli sulla parte inferiore della mensola refrigerata prima di fissare i rivetti ciechi.



##### 4.4.1. Fissaggio dei vetri

Posizionare i vetri (1), collocare il vetro posteriore (2) nei fissaggi del pannello posteriore della mensola refrigerata. Fissare gli supporti doppi e tripli (3) negli orifizi, collocare il vetro superiore (4) e fissare.



## 5 Utilizzazione

### 5.1. Indicazioni

Le nostre attrezzature refrigerate sono progettate per la conservazione di alimenti e prodotti alimentari in genere.

Per ridurre il consumo energetico e ottimizzare il funzionamento delle apparecchiature, e anche migliorare e prolungare la durata degli alimenti, dovrete rispettare le seguenti indicazioni:

- ✓ Ridurre la frequenza e la durata delle aperture di porte e/o cassetti;
- ✓ Spostare gli alimenti per consentire una buona circolazione dell'aria tra di loro;
- ✓ Non introdurre alimenti caldi;
- ✓ Provare coprire o imballare i generi alimentari;
- ✓ Non superare il limite di altezza indicato col simbolo

### 5.2. Sbrinamento

Lo sbrinamento della nostra attrezzatura viene eseguito automaticamente con controllo elettronico, che può anche essere attivato manualmente. In ogni caso, non devono essere usati oggetti appuntiti (come coltelli, cacciaviti, ecc.) per rimuovere il ghiaccio in eccesso. Nei

modelli che dispongono di un impianto automatico di evaporazione delle acque di condensa, le acque vengono convogliate nel gruppo frigorifero. Negli altri modelli, le acque di condensa vengono convogliate in un vassoio fissato nella parte inferiore dell'attrezzatura, versare il vassoio regolarmente. Dopo lo sbrinamento, mantenere le porte e/o cassette chiuse per accelerare il recupero di temperatura.

**5.3.Pulizia**

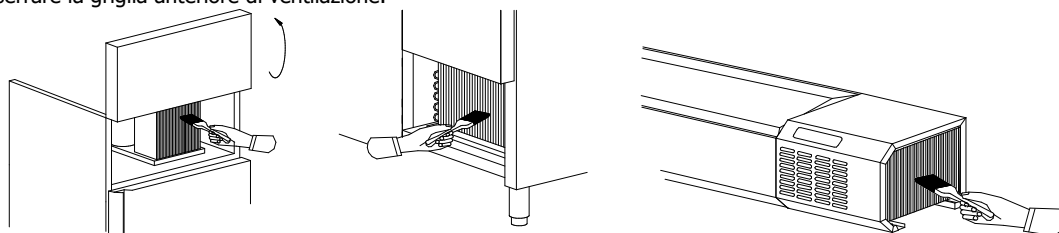
Per assicurare una corretta igiene e conservazione effettuare una pulizia dell'apparecchiatura come indicato di seguito:

- ✓ Interrompere l'alimentazione, togliendo la spina o spegnere l'interruttore.
- ✓ Pulire accuratamente le superfici con un panno inumidito con una soluzione di acqua o con un detergente delicato; poi risciacquare con un panno inumidito con acqua pulita e infine asciugare.
- ✓ Non utilizzare detergenti acidi o a base di cloro (es. candeggina) abrasivi (es. pagliette), o acqua in pressione (es. idranti).

**5.4.Pulizia del condensatore**

Per assicurare una lunga durata e un corretto funzionamento del sistema frigorifero, è necessario pulire regolarmente il condensatore come indicato:

- ✓ Staccare la spina, togliendo la spina o spegnere l'interruttore;
- ✓ Allentare la griglia anteriore di ventilazione, fare attenzione di non tirare i cavi elettrici;
- ✓ Pulire accuratamente le alette del condensatore con un aspirapolvere (preferibilmente) o con una spazzola morbida;
- ✓ Alla fine, serrare la griglia anteriore di ventilazione.

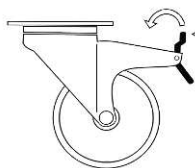
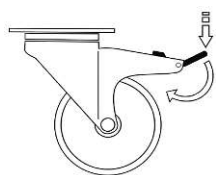


**5.5.Inattività prolungata**

Quando è probabile un lungo periodo di inattività dell'apparecchiatura, effettuare le operazioni di pulizia e manutenzione sopra descritti. Alla fine, staccare la spina e lasciare le porte aperte per evitare la formazione di odori cattivi.

**5.6.Funzionamento del freno delle ruote**

Frenare



Sbloccare il freno

**5.7.Anomalie**

Se si riscontrano anomalie nel funzionamento, consultare l'elenco al di sotto per identificare il problema e sue possibili soluzioni. Se il problema persiste, contattare l'ufficio di assistenza tecnica.

Sintomo	Verificare
L'apparecchiatura non funziona e il controllo elettronico digitale non funziona	Assicurarsi che l'apparecchio sia collegato correttamente alla spina
	Osservare se c'è un fusibile bruciato o interruttore off
	Controllare che la presa c'è corrente
	Ispezionare se il cavo di alimentazione ha qualche taglio
L'apparecchiatura non funziona ma il controllo elettronico digitale funziona	Eliminare qualsiasi prolunga elettrica utilizzata
	Controllare l'impostazione della temperatura
	Assicurarsi che ci sia sufficiente circolazione d'aria all'interno dell'attrezzatura
L'apparecchiatura non fa abbastanza freddo	Pulire il condensatore
	Controllare l'impostazione della temperatura
	Assicurarsi che ci sia sufficiente circolazione d'aria all'interno dell'attrezzatura
	Verificare che le griglie di ventilazione non siano ostruite
	Pulire il condensatore
L'attrezzatura produce troppo freddo	Pulire le guarnizioni magnetiche della porta
	Verificare se lo scarico delle acque non è ostruito
L'attrezzatura funziona costantemente	Controllare l'impostazione della temperatura
L'attrezzatura si ferma spesso e inizia frequentemente	Pulire il condensatore
	Pulire le guarnizioni magnetiche della porta



## ÍNDICE

<b>1</b>	<b>NOTA DEL FABRICANTE</b> .....	<b>22</b>
<b>2</b>	<b>PLACA DE CARACTERÍSTICAS</b> .....	<b>22</b>
<b>3</b>	<b>RECEPCIÓN</b> .....	<b>22</b>
<b>4</b>	<b>INSTALACIÓN</b> .....	<b>22</b>
<b>4.1.</b>	<b>PREPARACIÓN</b> .....	<b>22</b>
<b>4.2.</b>	<b>CONEXIÓN ELÉCTRICA</b> .....	<b>22</b>
<b>4.3.</b>	<b>POSICIONAMIENTO Y NIVELACIÓN</b> .....	<b>22</b>
<b>4.4.</b>	<b>MONTAJE DE UN KIT REFRIGERADO</b> .....	<b>23</b>
<b>4.4.1.</b>	<b>FIJACIÓN EN LA ENCIMERA DE UNA MESA FRÍA DE PIZZA</b> .....	<b>23</b>
<b>4.4.2.</b>	<b>FIJACIÓN DE LOS VIDRIOS</b> .....	<b>23</b>
<b>5</b>	<b>UTILIZACIÓN</b> .....	<b>23</b>
<b>5.1.</b>	<b>INDICACIONES</b> .....	<b>23</b>
<b>5.2.</b>	<b>DESESCARCHE</b> .....	<b>23</b>
<b>5.3.</b>	<b>LIMPIEZA DEL EQUIPO</b> .....	<b>23</b>
<b>5.4.</b>	<b>LIMPIEZA DEL CONDENSADOR</b> .....	<b>23</b>
<b>5.5.</b>	<b>INACTIVIDAD PROLONGADA</b> .....	<b>24</b>
<b>5.6.</b>	<b>FUNCIONAMIENTO DEL FRENO</b> .....	<b>24</b>
<b>5.7.</b>	<b>ANOMALÍAS</b> .....	<b>24</b>

## 1 Nota del Fabricante

Agradecemos su preferencia por nuestros productos. Diseñamos nuestros equipos para proporcionar las mejores condiciones de conservación para cada tipo de alimento, estos cumplen con todas las directivas y normas europeas aplicables con el objetivo de proporcionar un uso seguro y práctico que satisfaga sus expectativas y necesidades.

## 2 Placa de Características

<b>Model</b>	<input type="text"/>
Modell   Model   Modèle   Modello   Modelo   Modelo	
<b>Product Code</b>	<input type="text"/>
Artikelnummer   Artikelnummer   Code article   Codice articolo   Código producto   Código artigo	
<b>Serial N.º / Year</b>	<input type="text"/>
Seriennummer / Jahr   Seriennummer / Jaar   Numéro de série / Année   Numero di serie / Anno   Número de serie / Año   Número de série / Ano	
<b>Climate Class</b>	<input type="text" value="g"/>
Klimaklasse   Klimaat Klasse   Classe climatique   Classe climatica   Classe climática	
<b>Defrost power (W)</b>	<input type="text"/>
Abtauung Leistung   Ontdooi vermogen   Puissance dégivrage   Potenza sbrinamento   Potencia desescarche   Potência descongelação	
<b>Door Heater Wire (W)</b>	<input type="text"/>
Heizleitungen der Tür   Verwarmingslint voor deur   Cordon chauffant porte   Resistenza elettrica porta   Resistencia calefactora puerta   Resistência elétrica porta	
<b>Light bulb (Max. W)</b>	<input type="text"/>
Glühbirne   Verlichtingsunit   Ampoule   Lampadina   Bombilla   Lâmpada	
en   de   nl   fr   it   es   pt	
PT-503403474	
	

La placa de características de nuestros equipos está colocada en el interior de la máquina, en el panel del lado izquierdo. En ella encontrará los principales datos técnicos del equipamiento y la identificación del MODELO y el N.º de SERIE, fundamentales para cualquier consulta al fabricante.



La directiva europea sobre Residuos de Aparatos Eléctricos y Electrónicos (RAEE) determina que, al final de su ciclo de vida, el aparato y todos sus componentes, subconjuntos y materiales consumibles deben ser objeto de recogida selectiva para llevar a cabo un tratamiento que permita su eliminación, reciclaje o reutilización. No deposite aparatos con este símbolo junto con los residuos urbanos no diferenciados.

### Legenda

a) Tensión (V)	b) Frecuencia (Hz)
c) Corriente (A)	d) Potencia (W)
e) Gas Refrigerante	f) Carga de gas (g)
g) CLASE CLIMÁTICA	
4: 30°C, 55% HR	
5: 40°C, 40% HR	

## 3 Recepción

La construcción y operación de cada uno de nuestros equipos son rigurosamente controlados en fábrica, como lo demuestra el informe de prueba adjunto. Teniendo en cuenta la posibilidad de daños causados por el transporte, revise con cuidado el estado general del equipo después de desempaquetar. Después, confirmar que las características corresponden a las especificaciones de la orden de compra. Recordamos que nuestra constante búsqueda de mejoras tecnológicas puede dar lugar a cambios sin previo aviso en los modelos incluidos en este manual.

## 4 Instalación

La instalación debe ser realizada respetando siempre los reglamentos relativos a la construcción de edificios, las normas de protección contra incendios, las reglas y las buenas prácticas de prevención de accidentes y las normas locales. Todas las intervenciones de instalación y mantenimiento técnico deben ser realizados por técnicos especializados y autorizados utilizando piezas y componentes originales. El fabricante declina cualquier responsabilidad, ya sea por mal funcionamiento o daños producidos por el incumplimiento de las recomendaciones de este manual.

### 4.1. Preparación

Para evitar rayas, manchas y huellas dactilares, retire la película protectora de PVC sin utilizar objetos afilados utilizando guantes de protección.

### 4.2. Conexión eléctrica

El aparato está equipado con un enchufe de acuerdo con las normas de ensayo y un cable de la potestad reglamentaria, cuya longitud es suficiente para permitir la conexión a la red. La red debe ser fácilmente accesible y dimensionada para el consumo máximo especificado en la placa de características y debe tener CABLE DE TIERRA. Nunca use tomas de corriente o enchufes sin cable de tierra, adaptadores o extensiones. Para las conexiones directas a la red, se debe siempre instalar un dispositivo de

interrupción (disyuntor) de tamaño de acuerdo con las normas internacionales.

### 4.3. Posicionamiento y nivelación

MNS00065\_00

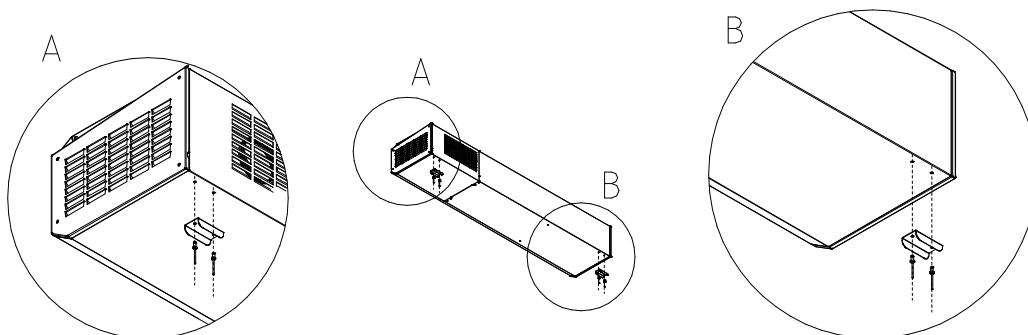


El equipamiento debe ser instalado sobre una superficie plana y resistente, para garantizar la estabilidad de los puntos de apoyo. Se aconseja la instalación del aparato alejado de posibles fuentes de calor (como hornos) y de luz solar directa. Debe garantizarse espacio libre alrededor del equipo, respetando las distancias recomendadas y manteniendo las rejillas de ventilación sin obstrucciones: la falta de ventilación afecta el funcionamiento y puede dar lugar a un funcionamiento defectuoso de los equipos.

#### 4.4. Montaje de un kit refrigerado

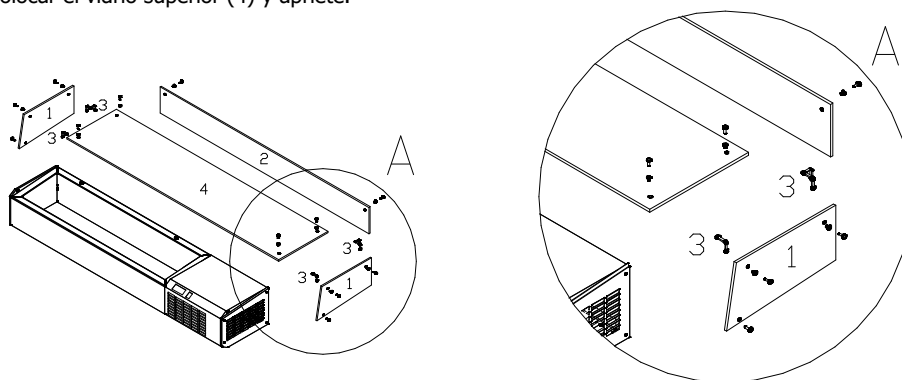
##### 4.4.1. Fijación en la encimera de una mesa fría de pizza

Para una colocación segura entre el kit refrigerado y la mesa fría de pizza, instalar correctamente el adaptador en forma de U. Por favor centrar los orificios del adaptador con los orificios de la parte inferior del kit refrigerado antes de la fijación de los remaches ciegos.



##### 4.4.2. Fijación de los vidrios

Colocar los vidrios laterales (1), colocar el vidrio posterior (2) en las fijaciones del panel posterior del kit refrigerado. Fijar los soportes dobles y triples (3) en los orificios, colocar el vidrio superior (4) y apriete.



## 5 Utilización

### 5.1. Indicaciones

Nuestros equipos han sido diseñados para la conservación de alimentos y productos alimenticios en general.

Para reducir el consumo de energía y optimizar el funcionamiento del equipamiento, así como mejorar y prolongar la vida útil de los alimentos, tenga en cuenta lo siguiente:

- ✓ Reducir la frecuencia y la duración de las aberturas de puertas y/o cajones;
- ✓ Dispersar los alimentos para permitir una buena circulación del aire entre ellos;
- ✓ No coloque alimentos calientes;
- ✓ Cubra o embale los alimentos;
- ✓ No exceda el límite de altura indicado por el símbolo

### 5.2. Desescarche

El desescarche de nuestros equipos se lleva a cabo de forma automática con control electrónico, que se puede activar manualmente. En cualquier caso, no utilice objetos afilados (tales como cuchillos, destornilladores, etc.) para eliminar el exceso de hielo. En los modelos con sistema automático de evaporación del agua, el agua se canaliza en el grupo frigorífico. En los otros modelos, el agua se canaliza en una bandeja de desagüe situada en la parte inferior del mueble, verter la bandeja de desagüe con regularidad. Después del desescarche, mantener las puertas y/o cajones cerrados para acelerar la recuperación de la temperatura.

### 5.3. Limpieza del equipo

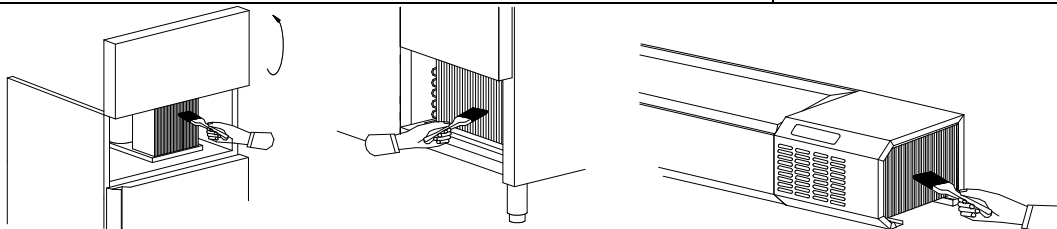
Para asegurar una correcta higiene y conservación, efectúe una limpieza regular del equipo tal como se indica:

- ✓ Desenchufe el aparato, retire el enchufe o apague el interruptor.
- ✓ Limpie bien las superficies con un paño humedecido con una solución de agua con un detergente suave; luego enjuague con un paño humedecido con agua limpia y seque con un paño seco.
- ✓ No utilice productos de limpieza ácidos o a base de cloro (lejía por ejemplo), materiales abrasivos (estropajos por ejemplo) o agua a presión (mangueras por ejemplo).

### 5.4. Limpieza del condensador

Para asegurar una larga vida y el buen funcionamiento del sistema frigorífico, debe limpiar regularmente el condensador tal como se indica:

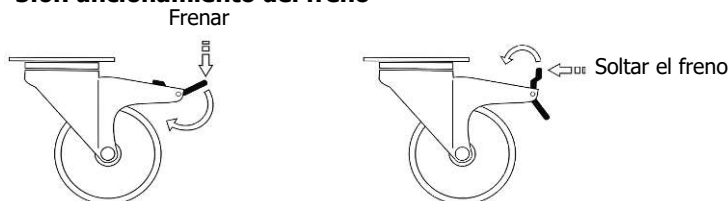
- ✓ Desenchufe el aparato, retire el enchufe o apague el interruptor;
- ✓ Afloje y abra la rejilla frontal de ventilación, tenga en cuenta de no estirar los cables eléctricos;
- ✓ Limpie bien las aletas del condensador con una aspiradora (preferentemente) o con un cepillo suave;
- ✓ Al final, apretar la rejilla frontal de ventilación.



### 5.5. Inactividad Prolongada

Cuando es probable un largo período de inactividad del producto, vaciar el equipo y hacer la limpieza del equipo y del condensador descrita anteriormente. Al final, desenchufe el aparato y debe dejar las puertas entreabiertas para evitar la formación de olores.

### 5.6. Funcionamiento del freno



### 5.7. Anomalías

Si usted encuentra alguna anomalía en el funcionamiento, consulte la siguiente lista de verificación para identificar el problema y sus posibles soluciones. Si el problema persiste, póngase en contacto con sus servicios técnicos de asistencia más cercanos.

Síntoma	Verificar
Equipo no funciona y el controlador no funciona	Asegúrese de que el equipo está correctamente conectado al enchufe
	Observe si hay un fusible quemado o un disyuntor desconectado
	Verifique que la toma tiene corriente
	Verifique si el cable de alimentación tiene algún corte
	Elimine cualquier alargador eléctrico que está utilizando
Equipo no funciona, pero funciona el controlador	Compruebe el ajuste de temperatura
	Asegúrese de que haya suficiente circulación de aire en el interior del equipo
	Limpiar el condensador
Equipo no hace frío suficiente	Compruebe el ajuste de temperatura
	Asegúrese de que haya suficiente circulación de aire en el interior del equipo
	Compruebe que las rejillas de ventilación no estén obstruidas
	Limpiar el condensador
	Limpiar las juntas magnéticas de la puerta
	Verificar que las salidas de agua no estén obstruidas
Equipo hace demasiado frío	Compruebe el ajuste de temperatura
El equipo está trabajando continuamente	Limpiar el condensador
	Limpiar las juntas magnéticas de la puerta
El equipo deja de funcionar y comienza a funcionar a menudo	Limpiar el condensador



**Finanzen / Service**

**28307 Bremen**  
Thalendorststraße 15  
Tel.+49 421 48557-0  
Fax+49 421 488650  
bremen@nordcap.de

**Vertrieb Ost**

**12681 Berlin**  
Wolfener Straße 32/34, Haus K  
Tel.+49 30 936684-0  
Fax+49 30 936684-44  
berlin@nordcap.de

**Vertrieb West**

**40699 Erkrath**  
Max-Planck-Straße 30  
Tel.+49 211 540054-0  
Fax+49 211 540054-54  
erkrath@nordcap.de

**Vertrieb Nord**

**21079 Hamburg**  
Großmoorbogen 5  
Tel.+49 40 766183-0  
Fax+49 40 770799  
hamburg@nordcap.de

**Vertrieb Süd**

**55218 Ingelheim**  
Hermann-Bopp-Straße 4  
Tel.+49 6132 7101-0  
Fax+49 6132 7101-20  
ingelheim@nordcap.de

