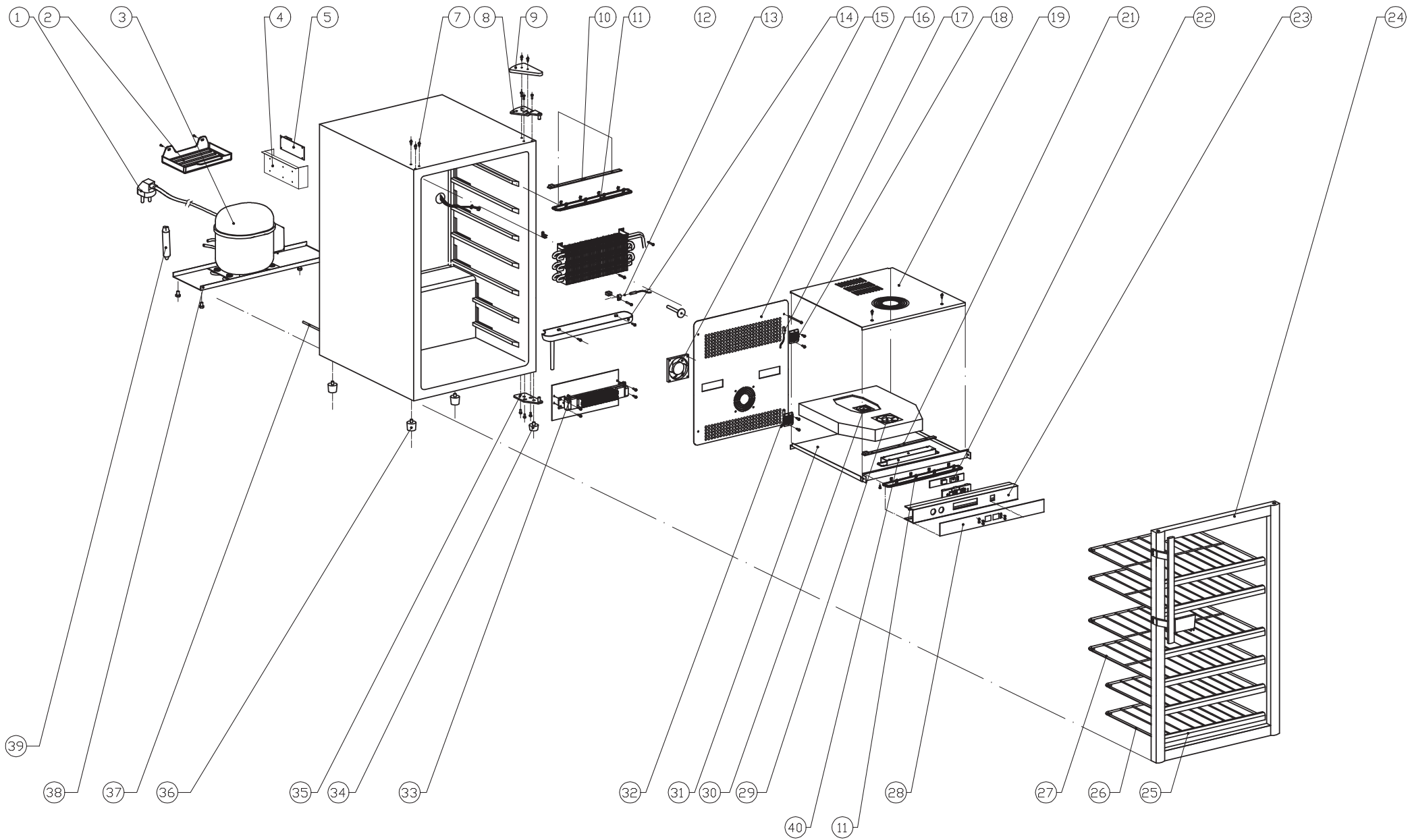


Ersatzteilliste-Explosionszeichnung

Weintemperierschrank W 32 COMPACT

[Artikel-Nr.: 477800032]





Parts of W32 (0-S704001H6030803 R600a) Rev.N

Serial No.:04302109-04302158

| Item | Part No . | Description | Qty | Remark |
|------|------------|-------------------------------------|-----|---------|
| 1 | DG2-2.2 | Power cord | 1 | |
| 2 | DG13-199 | Water tank | 1 | |
| 3 | DG1-137 | Compressor | 1 | R600a |
| | PJ1-034-A | Relay | 1 | |
| | PJ1-054-B | Overload protect | 1 | |
| | PJ2-011 | Capacitance | 1 | |
| 4 | DG22-3334 | Setting box | 1 | |
| 5 | DG3-312-1 | Control board | 1 | |
| 7 | DG13-8 | Decorative nail | 6 | |
| 8 | DG14-1.2 | Top hinge module | 1 | |
| 9 | DG13-12 | Decorative cover | 1 | |
| 10 | DG3-250 | LED light | 1 | |
| 11 | DG13-3116 | Lamp cover | 2 | |
| 12 | DG12-50-2 | Evaporator | 1 | |
| 13 | DG8-8-W | Senser | 1 | L=450mm |
| 14 | DG13-458 | Water box | 1 | |
| 15 | DG7-41-BH | PTC heater fan | 1 | |
| 16 | DG22-310-1 | Air duct board | 1 | |
| 17 | DG8-8-R | Senser | 1 | L=450mm |
| 18 | DG13-198 | Senser cover | 2 | |
| 19 | DG22-3986 | Upper panel for middle airway-board | 1 | |
| 21 | DG3-250 | LED light | 1 | |
| 22 | DG3-002-6 | Display PCB board | 1 | |
| 23 | DG13-104 | Display support | 1 | |
| 24 | DG23-100-1 | Door(vertical handle) | 1 | |
| | M130L-001 | Gasket | 1 | |
| | DG13-285 | Handle | 1 | |
| 25 | DG15-11-2 | wooden front trim | 6 | |
| 26 | DG15-43 | Half-size shelf | 2 | |
| 27 | DG15-42 | Full-size shelves | 4 | |
| 28 | DG20-130 | Display board | 1 | |
| 29 | DG7-47 | Evaporator fan | 1 | |
| 30 | DG7-55 | Fan | 1 | |
| 31 | DG22-3985 | Electrical box | 1 | |
| 32 | DG8-8-Y | Senser | 1 | |
| 33 | DG11-18 | PTC heater | 1 | |
| 34 | DG13-6.2 | Small cabinet leg, BC50N | 1 | |
| 35 | DG14-166 | Lower hinge module | 1 | |
| 36 | DG13-6.1 | Cabinet leg,BC50 | 3 | |
| 37 | DG12-203 | Air-circulating pipe | 1 | |
| 38 | DG22-89-1 | Compressor bracket | 1 | |
| 39 | DG11-45 | Dry filter | 1 | |
| 40 | DG13-3115 | Light holder | 1 | |

Finanzen/Service

28307 Bremen
Thalenhorststraße 15
Tel.+49 421 48557-0
Fax+49 421 488650
bremen@nordcap.de

Vertrieb Ost

12681 Berlin
Wolfener Straße 32/34, Haus K
Tel.+49 30 936684-0
Fax+49 30 936684-44
berlin@nordcap.de

Vertrieb West

40699 Erkrath
Max-Planck-Straße 30
Tel.+49 211 540054-0
Fax+49 211 540054-54
erkrath@nordcap.de

Vertrieb Nord

21079 Hamburg
Großmoorbogen 5
Tel.+49 40 766183-0
Fax+49 40 770799
hamburg@nordcap.de

Vertrieb Süd

55218 Ingelheim
Hermann-Bopp-Straße 4
Tel.+49 6132 7101-0
Fax+49 6132 7101-20
ingelheim@nordcap.de

