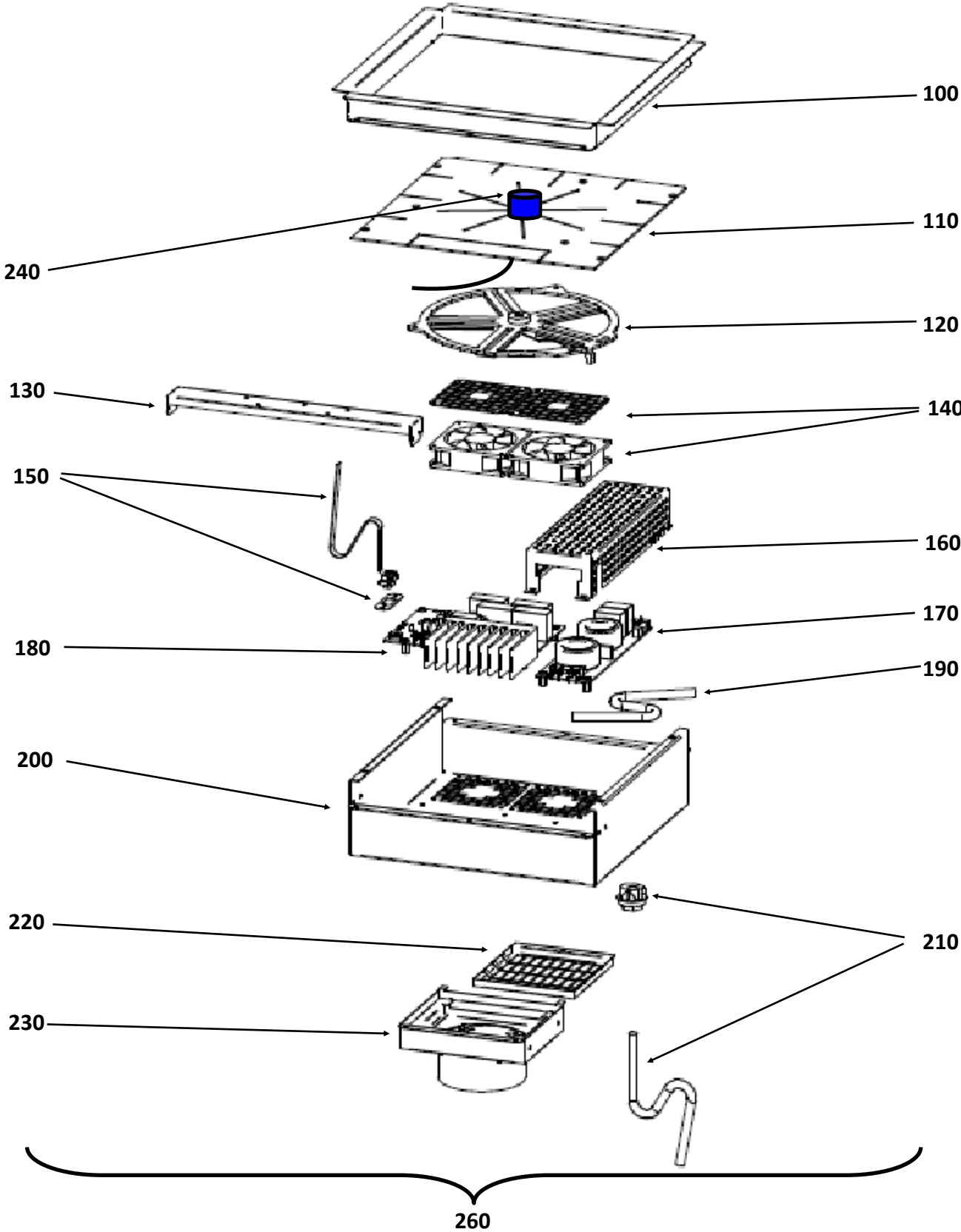


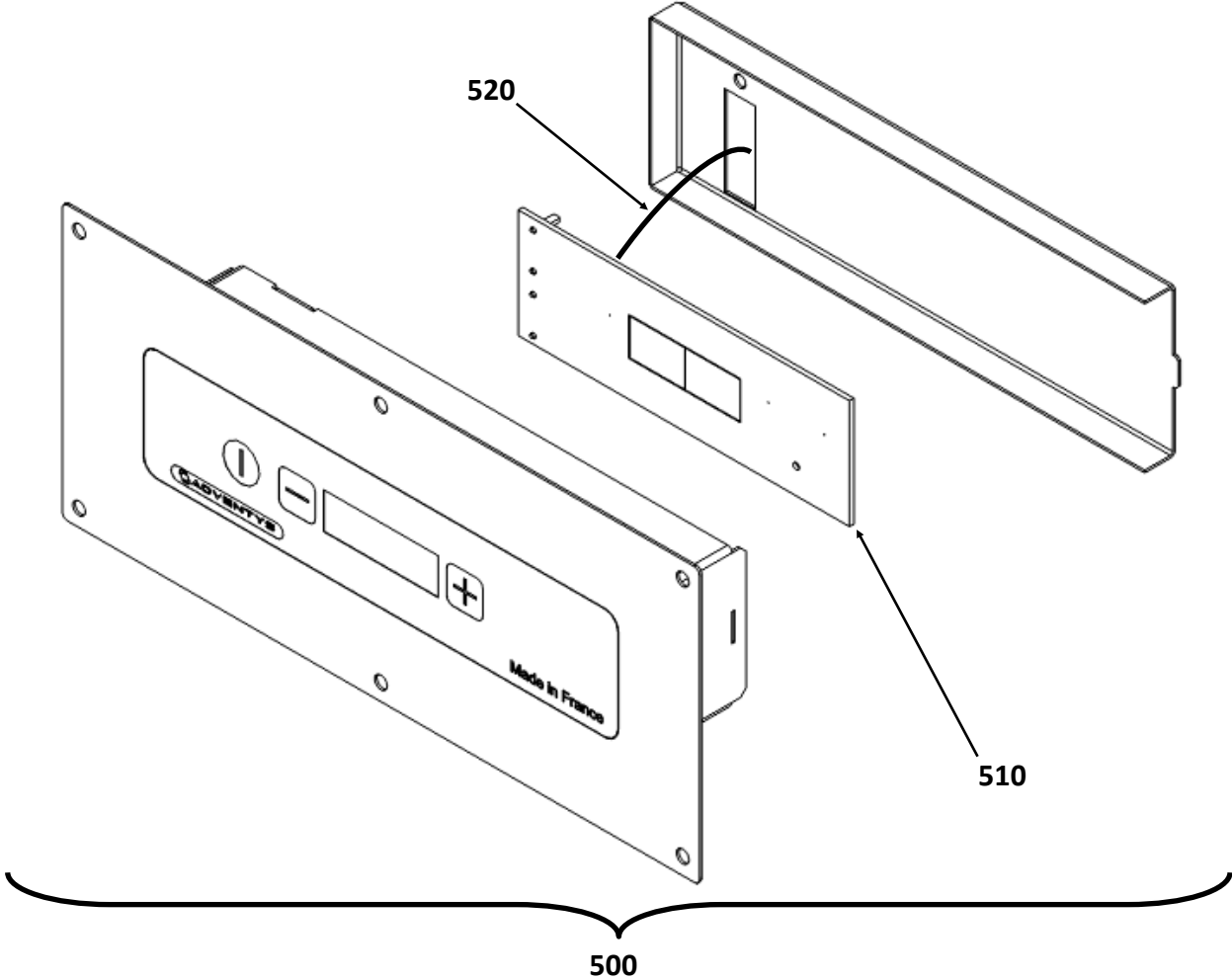
**ADV1587-B & ADV1587-C / INDUC-STONE®**



## ADV1587-B & ADV1587-C / INDUC-STONE®

REP	SAV / ASS	DESIGNATION / DESCRIPTION	REP	SAV / ASS	DESIGNATION / DESCRIPTION
100	SAV0979-A	DESSUS CADRE INTEGRABLE FLUSH BRACKET TOP CASE	210	SAV1681-A	CABLE ALIMENTATION + PASSE FIL ALIMENTATION CABLE + CABLE LEAD-THROUGH
110	SAV0973-A	PLAQUE MICA SUPPORT INDUC HEAT SHIELD		SAV0852-B	CABLE ALIMENTATION UK + PASSE FIL CORDON UK NEW GENE + CABLE LEAD-THROUGH
120	SAV0737-A	KIT INDUCTEUR COMPLET COMPLET INDUCTOR KIT		SAV1439-A	CABLE ALIMENTATION BRESIL + PASSE FIL ALIMENTATION CABLE BRESIL + CABLE LEAD-THROUGH
130	SAV0974-A	SUPPORT CLAVIER KEYBOARD SUPPORT		SAV1998-A	CABLE ALIMENTATION AUSTRALIE + PASSE FIL ALIMENTATION CABLE AUSTRALIA + CABLE LEAD-THROUGH
140	SAV0821-B	VENTILATEUR + CONNECTEUR (EBM) FAN + CONNECTOR (EBM)	220	SAV0744-A	FILTRE INOX STAINLESS STEEL FILTER
150	SAV0975-A	LIMANDE COMMANDE COMMAND CABLE	230	SAV0977-A	ENTONNOIR ENCASTRABLE AIR FUNNEL
160	SAV0739-A	BLINDAGE ALIM GENE MONO EMI SHIELD	240	SAV0996-A	SONDE DE TEMPERATURE TEMPERATURE SENSOR
170	SAV1350-A	C FILTRE GENE MONO ADV EMI FILTER BOARD	250	SAV0978-A	KIT VIS COMPLET FIXATION GENERATEUR COMPLETE SCREWS KIT + FIXING GENERATOR
180	SAV1043-B	CARTE GENERATEUR INDUC-STONE 650W POWER BOARD INDUC-STONE 650W	260	SAV1560-A	BLOC GENE INDUCSTONE 650W 230V COMPLETE GENERATOR 650W
190	SAV0781-A	CABLE CARTE FILTRE GENE CABLE FILTER TO GENERATOR			
200	SAV0976-A	CAPOT MECANIQUE LOWER CASE			

**ADV1587-C / INDUC-STONE®**



## ADV1587-C / INDUC-STONE®

REP	SAV / ASS	DESIGNATION / DESCRIPTION
500	SAV1868-A	<b>BLOC DE COMMANDE COMPLET INDUC-STONE® - C (AVEC CADRE INOX)</b> <b>COMPLETE INDUC-STONE® CONTROL BLOC - C (WITH STAINLESS STEEL FRAME)</b>
510	SAV1869-A	<b>CARTE CLAVIER INDUCSTONE - C (P=650W) AVEC SCOTCH DOUBLE FACE</b> <b>KEYBOARD INDUCSTONE - C (P=650W) WITH ADHESIVE DOUBLE FACE</b>
520	SAV0814-A	<b>CABLE SORTIE SUBD9 / SUBD9 OUTPUT CABLE</b>
530	SAV1867-A	<b>CABLE CLAVIER L=2M</b> <b>KEYBOARD CABLE L=2M</b>
	SAV1867-A 3M	<b>CABLE CLAVIER L=3M</b> <b>KEYBOARD CABLE L=3M</b>
	SAV1867-A 4M	<b>CABLE CLAVIER L=4M</b> <b>KEYBOARD CABLE L=4M</b>
	SAV1867-A 5M	<b>CABLE CLAVIER L=5M</b> <b>KEYBOARD CABLE L=5M</b>
	SAV1867-A 8M	<b>CABLE CLAVIER L=8M</b> <b>KEYBOARD CABLE L=8M</b>
540	SAV0810	<b>CABLE TERRE</b> <b>EARTH GROUND CABLE</b>



### Instructions d'échange carte clavier seule / Instructions for swapping a keyboard-only card

- 1) Faire un marquage (feutre, ...) autour de la carte clavier collée sur le bandeau verre avant le décollage  
Make a mark (felt-tip pen, ...) around the keyboard card stuck on the glass strip before take-off
- 2) Décoller la carte clavier en passant un fil robuste entre le bandeau verre et la carte clavier  
Peel off the keyboard board by running a sturdy wire between the glass strip and the keyboard board
- 3) Nettoyer le bandeau verre avant le collage de la nouvelle carte clavier  
Clean the glass strip before gluing the new keyboard board
- 4) Coller la nouvelle carte clavier dans le marquage effectué à l'étape 1.  
Stick the new keyboard card into the marking made in step 1.

**ADV1587-B / INDUC-STONE®**

