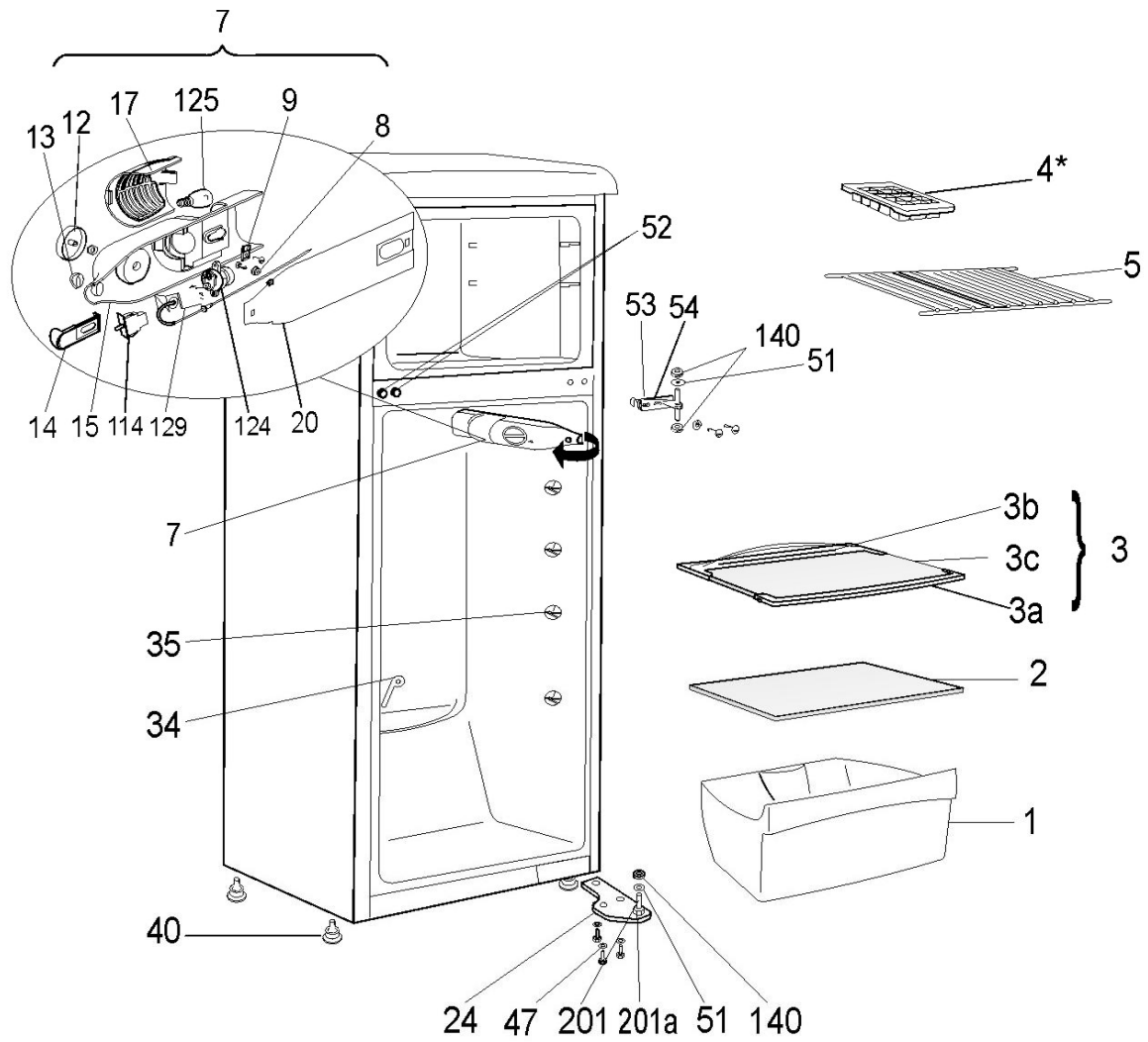


COOL-LINE-Kühl-/Tiefkühl-Kombination
KTK 275 RETRO

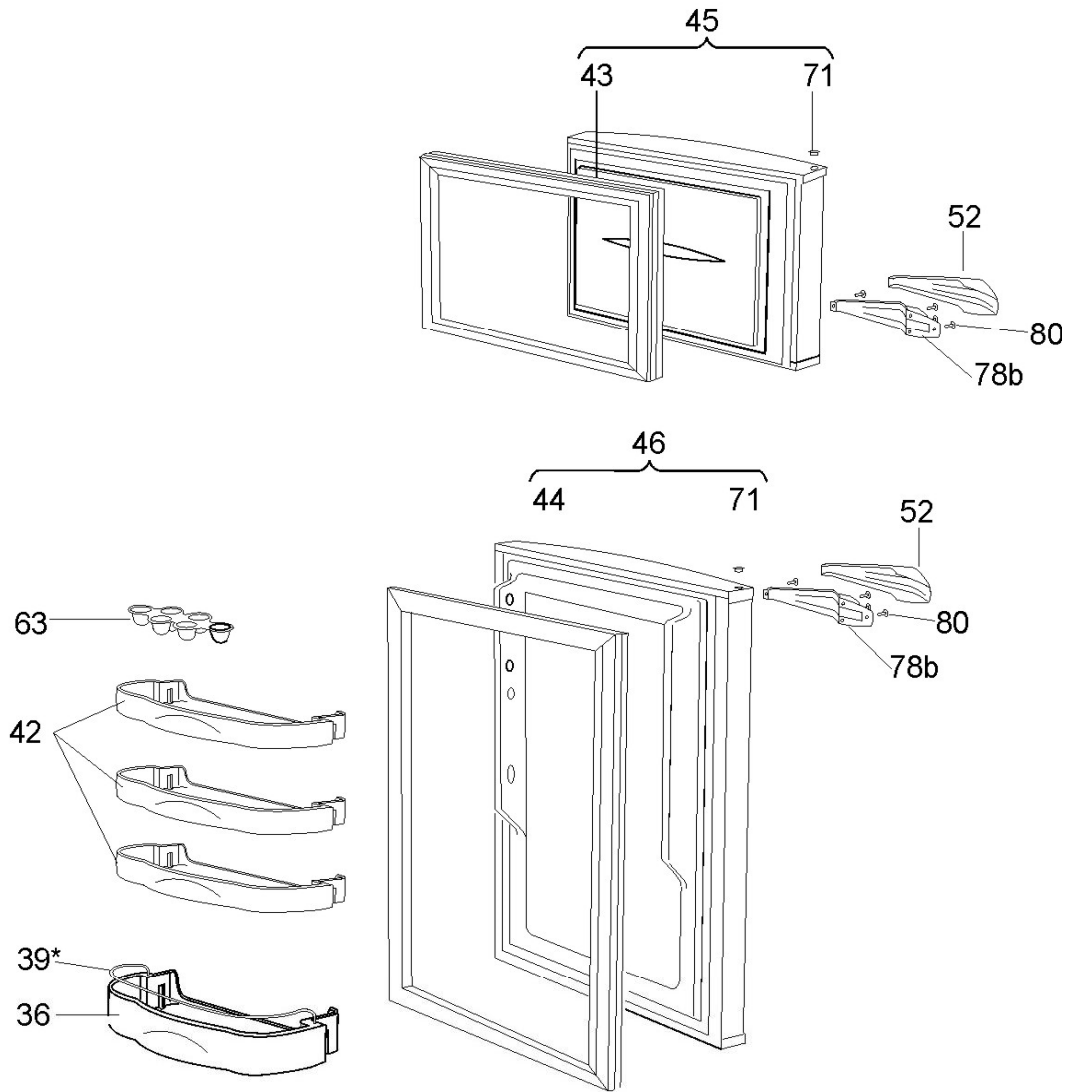
Art. 470275001

Ersatzteilliste-Explosionszeichnung

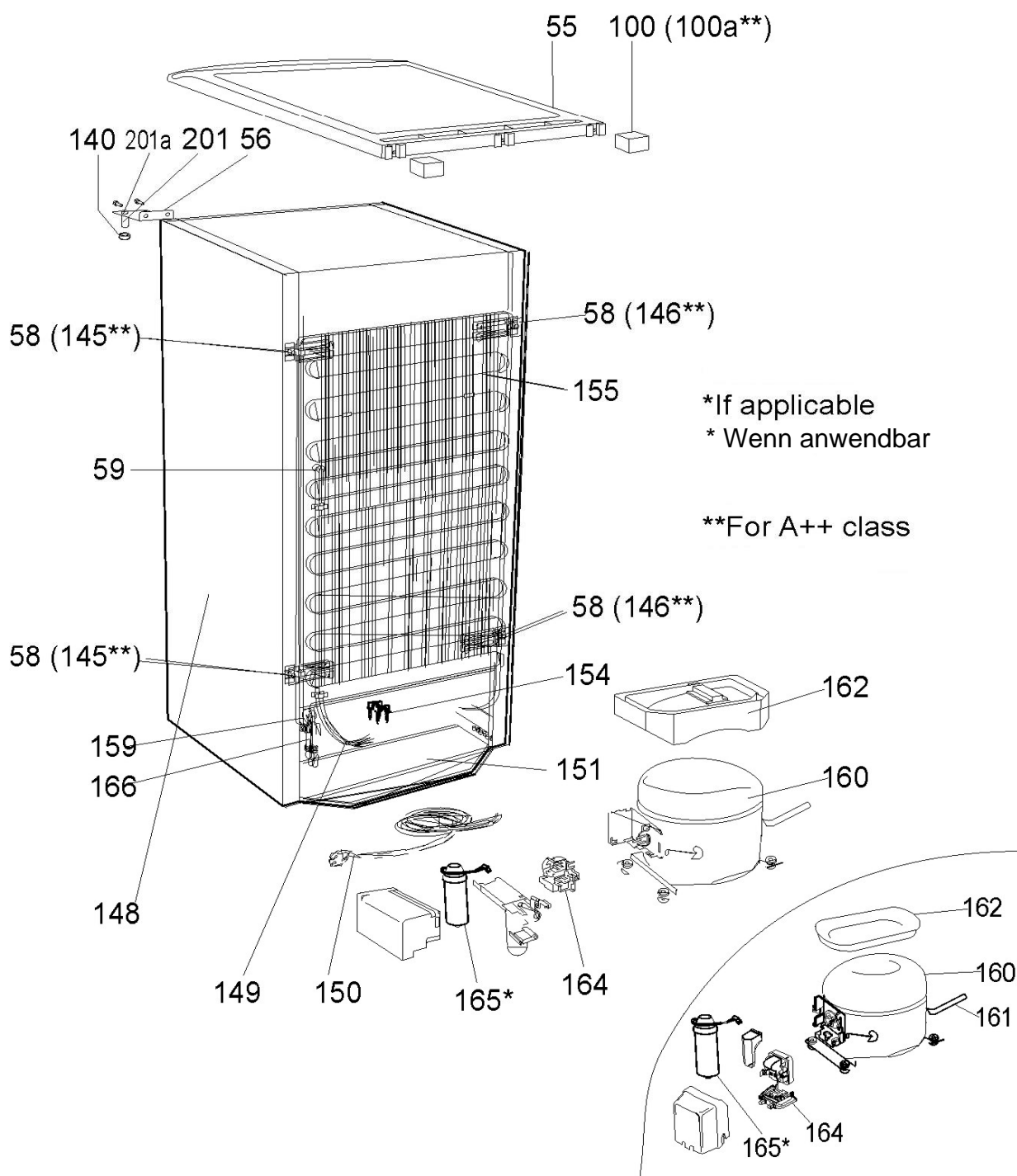
Catalogue of parts and units



*If applicable
 * Wenn anwendbar



*If applicable
 * Wenn anwendbar



DE Ersatzteilliste-Explosionszeichnung

Kode der Teil	Katalog Kode	Name
KKHXK70AA(B)-L4	160	Kompressor (Abb.3)
V355310-00-J3-R	148	Schrank (Abb.3)
V043041-00-J1	40	Stütze (Abb.1)
M950018-00-Y1	47	Scheibe (Abb.1)
40081000.0525	80	Schraube M5x12 (Abb.2)
40081050.0040	201a	Mutter M6 (Abb.1 und 3)
M206077-00	201	Achse (Abb.1 und 3)
M120231-00-1IY1	24	Konsole (Abb.1)
V043058-00	151	Stütze (Abb.3)
M175136-01	159	Technologische Rohre (Abb.3)
D357281	162	Wanne (Abb.3)
M120252-00-4	146	Konsole (Abb.3)
KS270055	155	Verflüssiger (Abb.3)
V005054-04OL4	7	Steuerungsblock (Abb.1)
D140138	9	Klammer (Abb.1)
D151116	20	Platte (Abb.1)
D253115-O	12	Regler (Abb.1)
D261004-01	14	Krechkonsole (Abb.1)
V005050-00	15	Gehäuse (Abb.1)
V575008	124	Patrone (Abb.1)
S229049	114	Schalter (Abb.1)
KRHXX70AA(B)-L4	164	Anlaßrelais (Abb.3)
V420097	129	Thermoregler (Abb.1)
V519140-08	149	Elektrodraht (Abb.3)
V503063-04	150	Netzdraht (Abb.3)
M100167-00-O1	39	Halter (Abb.2)
S571046	125	Beleuchtungslampe (Abb.1)
V253040-00	78b	Griff (Abb.2)
V026002-00-J3	55	Deckel (Abb.3)
V120086-00-J1	54	Konsole (Abb.1)
D404017	17	Leuchtarkörper (Abb.1)
M120230-00-1IY1	56	Konsole (Abb.3)
M950023-01-Y1	51	Scheibe (Abb.1)
V320206-03-J3	45	Tür (Abb.2)
V372104-02-J1	43	Dichtung (Abb.2)
D322061-J1	71	Verschlussklappe (Abb.2)
D100143	35	Halter (Abb.1)
D145028-00	154	Klemme (Abb.3)
D212195-00	59	Buchse (Abb.3)
D212196-O	8	Buchse (Abb.1)
D315173-J	52	Deckel (Abb.2)
V433005	166	Trocknenfilter (Abb.3)
V320207-03-J3	46	Tür (Abb.2)
V372104-03-J1	44	Dichtung (Abb.2)
D155207-J	53	Platte (Abb.1)
D315282-00-O1	13	Deckel (Abb.1)
D059027-00	3c	Glässregal (Abb.1)
D139116-01-O1	3b	Lasche (Abb.1)
D139110-O	3a	Lasche (Abb.1)
D059010-00-1	2	Glässregal (Abb.1)
V054104-00-O1	5	Metalregal (Abb.1)
D357217-D	1	Wanne (Abb.1)
D357151	4	Eiswanne (Abb.1)
D357228-D	42	Wanne (Abb.2)
D357229-D	36	Wanne (Abb.2)
D269069-S	63	Einlage (Abb.2)
D578002	34	Reiniger (Abb.1)
D270108-00-J	100a	Stütze (Abb.3)
D710019-J	140	Scheibe (Abb.1 und 3)
M120252-00-4	145	Konsole (Abb.3)
40010050.4315	165	Arbeitskondensator (Abb.3)

EN Catalogue of parts and units

Part code	Catalog code	Name
KKHXK70AA(B)-L4	160	Compressor (Pic.3)
V355310-00-J3-R	148	Foamed cabinet (Pic.3)
V043041-00-J1	40	Support (Pic.1)
M950018-00-Y1	47	Washer (Pic.1)
40081000.0525	80	Screw M5x12 (Pic.2)
40081050.0040	201a	Nut M6 (Pic.1 and 3)
M206077-00	201	Axle (Pic.1 and 3)
M120231-00-1IY1	24	Bracket (Pic.1)
V043058-00	151	Support for compr. fixing (Pic.3)
M175136-01	159	Technological tube (Pic.3)
D357281	162	Tray (Pic.3)
M120252-00-4	146	Bracket (Pic.3)
KS270055	155	Condenser (Pic.3)
V005054-04OL4	7	Control unit (Pic.1)
D140138	9	Clip (Pic.1)
D151116	20	Plate (Pic.1)
D253115-O	12	Knob of thermostat (Pic.1)
D261004-01	14	Drag hinge (Pic.1)
V005050-00	15	Frame (Pic.1)
V575008	124	Lamp holder (Pic.1)
S229049	114	Light switch (Pic.1)
KRHXX70AA(B)-L4	164	Starting relay (Pic.3)
V420097	129	Thermostat (Pic.1)
V519140-08	149	Wiring (Pic.3)
V503063-04	150	Supply cord (Pic.3)
M100167-00-O1	39	Bottle holder (Pic.2)
S571046	125	Lighting bulb (Pic.1)
V253040-00	78b	Handle (Pic.2)
V026002-00-J3	55	Top table (Pic.3)
V120086-00-J1	54	Bracket (Pic.1)
D404017	17	Cover of lighting bulb (Pic.1)
M120230-00-1IY1	56	Bracket (Pic.3)
M950023-01-Y1	51	Washer (Pic.1)
V320206-03-J3	45	Door (Pic.2)
V372104-02-J1	43	Gasket (Pic.2)
D322061-J1	71	Plug (Pic.2)
D100143	35	Holder (Pic.1)
D145028-00	154	Clamp (Pic.3)
D212195-00	59	Bushing (Pic.3)
D212196-O	8	Bushing (Pic.1)
D315173-J	52	Cover (Pic.2)
V433005	166	Filter-dryer (Pic.3)
V320207-03-J3	46	Door of storage chamber (Pic.2)
V372104-03-J1	44	Gasket (Pic.2)
D155207-J	53	Plate (Pic.1)
D315282-00-O1	13	Cover (Pic.1)
D059027-00	3c	Glass shelf (Pic.1)
D139116-01-O1	3b	Strap (Pic.1)
D139110-O	3a	Strap (Pic.1)
D059010-00-1	2	Glass shelf (Pic.1)
V054104-00-O1	5	Metal shelf (Pic.1)
D357217-D	1	Salad container (Pic.1)
D357151	4	Ice cube tray (Pic.1)
D357228-D	42	Door balcony (Pic.2)
D357229-D	36	Balcony for bottles (Pic.2)
D269069-S	63	Egg tray (Pic.2)
D578002	34	Cleaning tool (Pic.1)
D270108-00-J	100a	Support (Pic.3)
D710019-J	140	Washer (Pic.1 and 3)
M120252-00-4	145	Bracket (Pic.3)
40010050.4315	165	Run capacitor (Pic.3)