

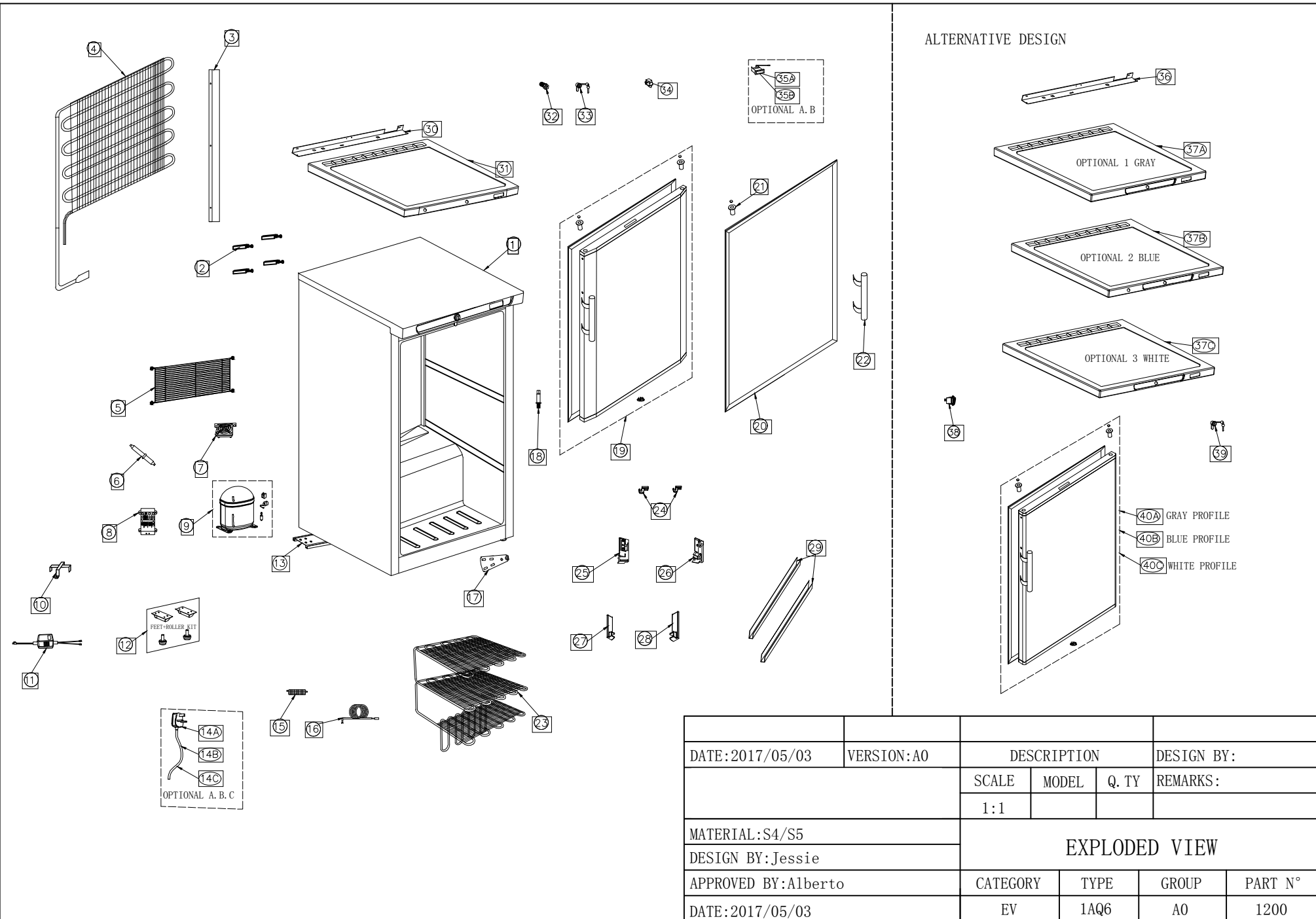
Spare-Parts List and Exploded View

(Ersatzteilliste-Explosionszeichnung)

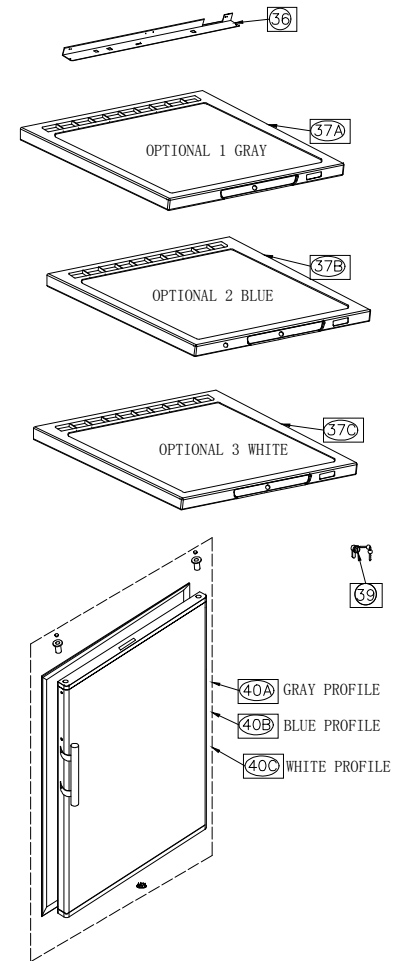
COOL-LINE-Tiefkühlschrank **RN 200 GL**

[Art. 451200600]





ALTERNATIVE DESIGN



DATE:2017/05/03	VERSION:A0	DESCRIPTION		DESIGN BY:	
		SCALE	MODEL	Q. TY	REMARKS:
		1:1			
MATERIAL:S4/S5		EXPLODED VIEW			
DESIGN BY:Jessie					
APPROVED BY:Alberto	CATEGORY	TYPE	GROUP	PART N°	
DATE:2017/05/03	EV	1AQ6	A0	1200	

Item Description

RN 200 GL

BOM Number

1

Build Quantity

1

Fixed Cost

0

Remark

Unit pc

BOM Components

Lev. 0	Item Number	Descr	Quantity	u.m.	Spare Part
	EV1AQ6A01200	CN/CNX 2 - EXPLODED VIEW DRAW.(Ver.A0 - S12)	1	pc	1
1	S41AQ60A0001	CN 2 - STELL FOAMED ASSEMBLY BODY (White Color - S12)	1	pc	1
2	P01AQ28A0002	CR/CN 2-4-6 Series - REAR CONDENSER SPACER - (S12)	4	pc	1
3	P01AD20A0003	RC 200/RN 200 - WIRING COVER	1	pc	1
4	I01AQ28A0001	CR/CN 2 - WIRE CONDENSER - (S12)	1	pc	1
5	I01AQ29A0003	CR/CN 2 Series - REAR ENGINE ROOM GRID (Black Color-S12)	1	pc	1
6	C01AQ26A0001	CR/CN 2 Series - BBC 186/286 - FILTER DRIER - (S12)	1	pc	1
7	E1711A020000	RDH5010B:12Vdc,0,16A,1,92W-(Included safety grid)-Wire 300mm	1	pc	1
8	P01AQ20A0002	CR/CN 2 - CR4/6 Ser. - BBCx86 - WIRING JUNCTION BOX-(S12)	1	pc	1
9	E27B6T2Z0000	HXL140A COMP. ZEL/ACC R600a-220/240V 50Hz-1/10 HP RSCR:	1	pc	1
10	Z01AF03A0003	RN/RNX 600B - BBC 286 - TRANSFOMER HOLDER (For item in R290)	1	pc	1
11	E26B20120031	AC/DC ADAPTER MOD.HYD-1200300EU - (Male Connector)	1	pc	1
12	KITFT1AE0A00	RC/RN 200 RC/RN 400-FEET + ROLLERS KIT(N.2 FOOT+N.2 ROLLERS)	1	pc	1
13	Z01AD63A0001	RC 200 Series - ENGINE PLATE (For Roller and Feet kit)	1	pc	1
14A	E25EUG307525	POWER CORD 3x0.75 mmq - EU PLUG - GRAY COLOR 2,5 Mt.	1	pc	1
14B	E25EUK307525	POWER CORD 3x0,75 mmq - UK PLUG - BLACK COLOR 2.5 Mt	1	pc	1
14C	E25AUB307525	POWER CORD 3x0,75 mmq - AUSTRALIAN PLUG - BLACK COLOR 2,5 Mt	1	pc	1
15	P01AQ20A0003	CR/CN 2 Series - INTERNAL PROBE HOLDER - (S12)	1	pc	1
16	E21010300001	NTC PROBE - CABLE 3000 mm	1	pc	1
17	Z01AD22A0007	RC 200/RN 200 Series - BOTTOM HINGE	1	pc	1
18	Z01AE62A0005	RC/RN 400/600-CR/CN 7-14-PIVOT BOTTOM/UPPER RIGHT HINGE-(S12)	1	pc	1
19	S41AQ22A0001	CR/CN 2-DOOR SET (Gasket+Cylicndric Handle+Cap+Insert) GRAY	1	pc	1
20	R01AD22A0002	RC 200/RN 200 - SOLID DOOR GASKET	1	pc	1
21	N01AD22A0008	RC 200/RN 200 - DOOR BUSHING + BUSHING COVER	2	pc	1
22	S21AQ22A0002	CR/CN 2 - WHITE CYLINDER HANDLE(SOLID-Chiller/Freezer-S12)	1	pc	1
23	I01AQ67A0001	CN/CNX 2 - SHELF EVAPORATOR (White Color/458x448mm)-S12	1	pc	1
24	P01AD67A0002	RN/RNX 200 - EVAPORATOR TOP SUPPORT	2	pc	1
25	P01AD67A0003	RN/RNX 200 - EVAPORATOR LEFT/UPPER SUPPORT	1	pc	1
26	P01AD67A0005	RN/RNX 200 - EVAPORATOR RIGHT/UPPER SUPPORT	1	pc	1
27	P01AD67A0004	RN/RNX 200 - EVAPORATOR LEFT/BOTTOM SUPPORT	1	pc	1

28	P01AD67A0006	RN/RNX 200 - EVAPORATOR RIGHT/BOTTOM SUPPORT	1	pc	1
29	A01AD67A0002	RN 200/RNX 200 - FRONTAL EVAPORATOR STRIPES	2	pc	1
30	Z01AQ21A0002	CR/CN 2 - UPPER SUPPORT FOR TOP - (S12)	1	pc	1
31	P01AQ21A0001	CR/CN 2-TOP PANEL GRAY Col.(HOLES: Main/Lock/Fan/Buzzer)-S12	1	pc	1
32	E2318BL00001	QN19-C MAIN SWITCH (3P)-BLUE Light-250V-5A/T55 1AE4 (D.19mm)	1	pc	1
33	Z01AQ22A0003	CR/CRG/CN 2-4-6 - DOOR LOCK + KEYS (Inc.RED Keys DL00017174)	1	pc	1
34	E2309WH00001	HF-D02-1A-1 DOOR SWITCH (2P) 250VAC-4A; CONTACT NC	1	pc	1
35A	E20A111C3D00	XR02CX-5R1C1 DIXELL BLULINE THERM.-LIDCGXB5AB (RWD)	1	pc	1
35B	E20A121C5E00	EV3B21N7VXRBO1 EVCO THERMOSTAT (RWE) CHILLER	1	pc	1
36	Z01AD21A0006	RC 200/RN 200-UPPER SUPPORT FOR GRAY TOP (1 DOOR SWITCH)	1	pc	1
37A	P01AD21A0002	RC 200-TOP PANEL GRAY COLOR(CHI DESIGN: 1 DOOR SW+1 BUZZER)	1	pc	1
37B	P01AD21A0003	RC 200-TOP PANEL BLUE COLOR(LEC DESIGN: 1 DOOR SW)	1	pc	1
37C	P01AD21A0001	RC 200-TOP PANEL WHITE COLOR(CHI DESIGN: 1 DOOR SW+1 BUZZER)	1	pc	1
38	E2308GR00001	XCK-015-2-02 MAIN SWITCH (3P) 250VAC-6A;	1	pc	1
39	Z01AD21A0005	RC 200/RN 200 Series - LOCK + N.2 KEYS	1	pc	1
40A	S41AD22A0005	RC/RN 200-DOOR SET (Gasket+Cylindric Handle+Cap+Insert) GRAY	1	pc	1
40B	S41AD22A0004	RC/RN 200-DOOR SET (Gasket+Cylindric Handle+Cap+Insert) BLUE	1	pc	1
40C	S41AD22A0001	RC/RN 200-DOOR SET (Gasket+Cylindric Handle+Cap+Insert)WHITE	1	pc	1