

Aufbauanleitung

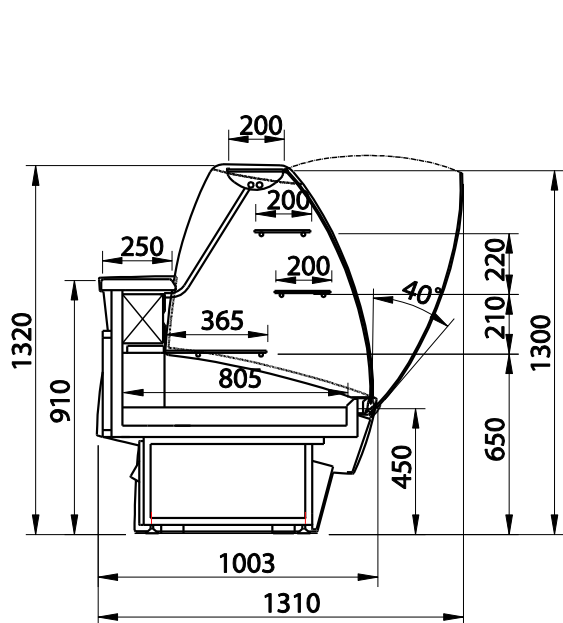
Sweet II 100

Konditoreitheke

[Art. 4597250001] / [Art. 4597250151]

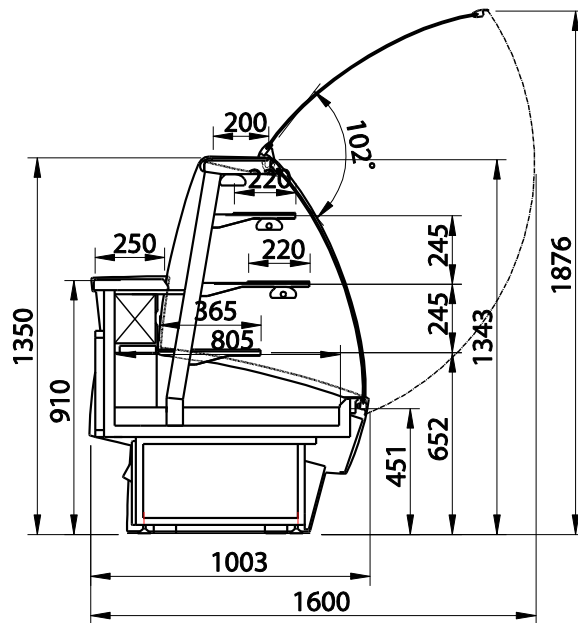


Descrizione del mobile - Cabinet description – Description du meuble - Beschreibung der Bedientheke - Descripción de la cámara – Описание прилавка



SWEET 2

Fig. 1



SWEET 2 LX

Fig. 2

Trasporto del mobile – Cabinet handling – Transport du meuble - Transport des Kühlmöbels - Desplazamiento de la cámara – Перевозка прилавка

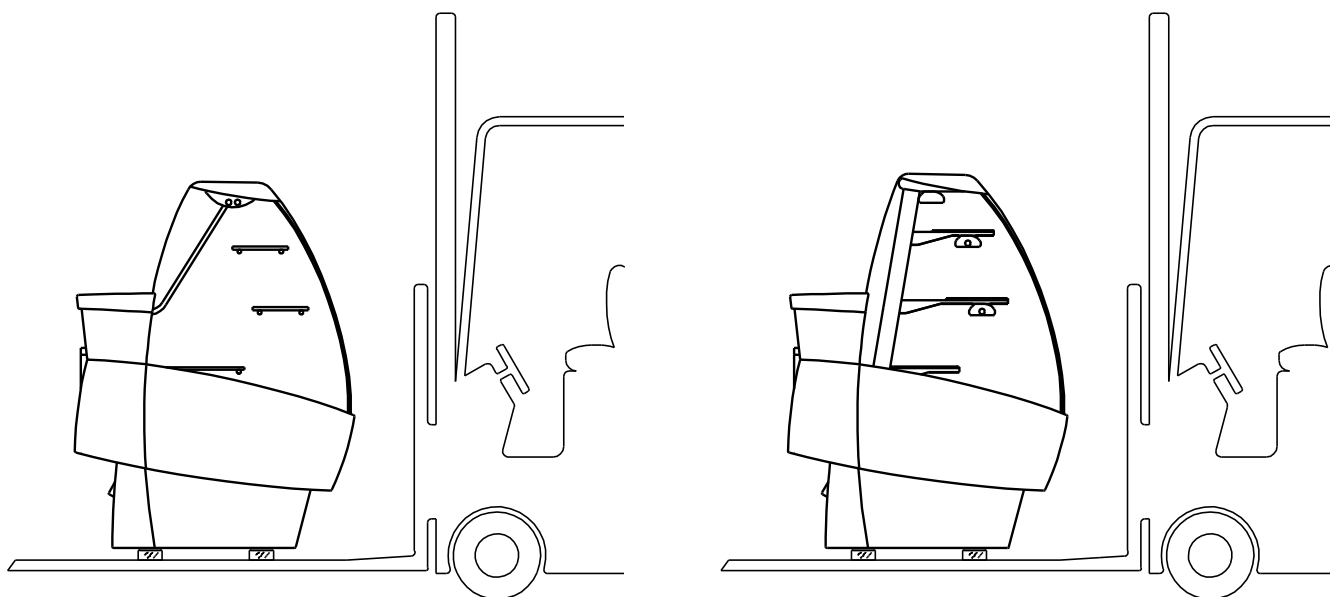


Fig. 3

- PUNTO D'INNESTO FORCHE PER LA MOVIMENTAZIONE
- LIFTING POINT
- POINTS DE SOULEVEMENT
- ANSATSPUNKTE FÜR HUBKARREN
- PONTOS PARA EL LEVANTAMIENTO
- ТОЧКА ПОДЪЕМА АВТОПОГРУЗЧИКОМ

	SWEET 2					SWEET 2 LX				
	100	200	300	AI45°	AE45°	100	200	300	AI45°	AE45°
Lunghezza / Length (mm)	1018	1955	2893	-	-	1018	1955	2893	-	-
Peso / Weight (kg)	140	250	360	110	110	150	260	375	130	130

Installazione e condizioni ambientali - Installarono and environmental conditions - Installation et conditions ambiantes - Inbetriebnahme und Einsatzbedingungen - Instalación y condiciones ambientales - Установка и условия окружающей среды

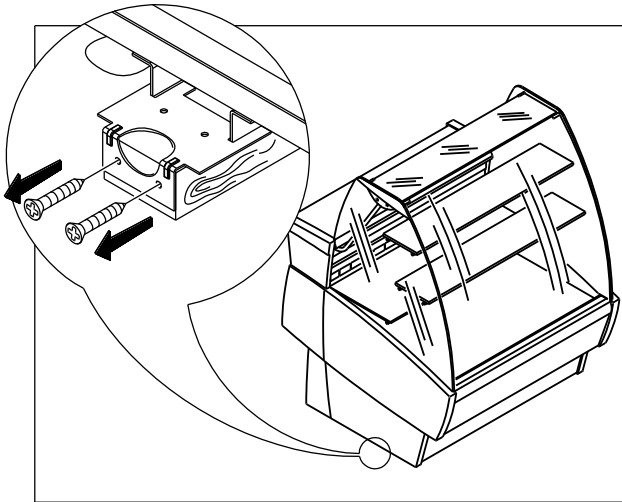


Fig. 4A

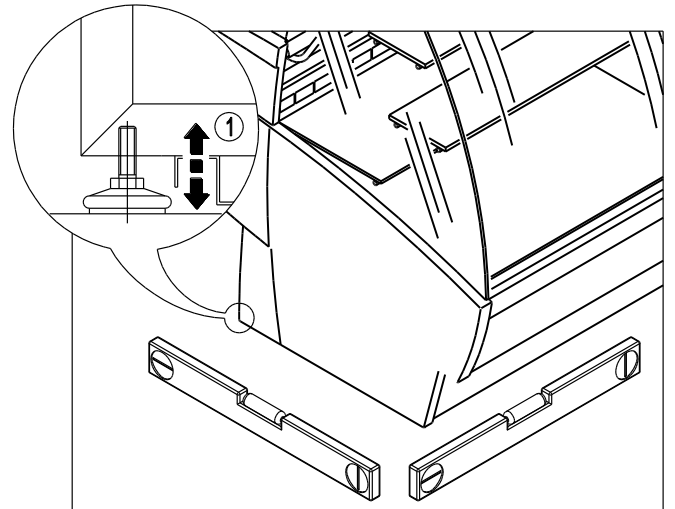


Fig. 4B

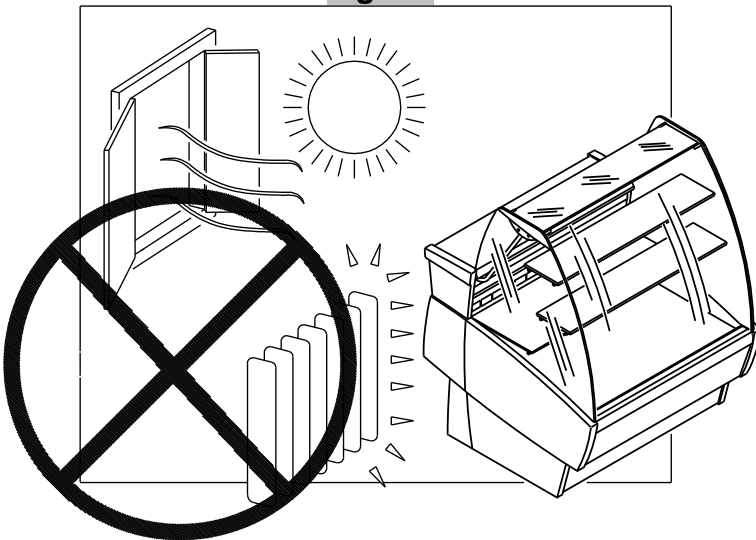


Fig. 5



Fig. 6

Collegamento elettrico e dati tecnici - Cabling electrical and technical data - Branchement électrique et données techniques - Elektrischer Anschluss und technische daten- Conexión eléctrica y datos técnico - Электрическое соединение и технические данные

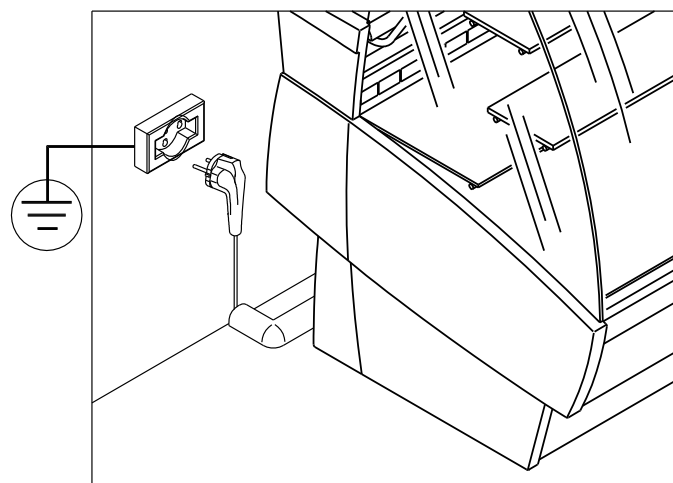


Fig. 7

SWEET 2	SWEET 2 G.I.					SWEET 2 G.E.				
	100	200	300	AI45°	AE45°	100	200	300	AI45°	AE45°
Potenza assorbita (W) <i>Absorbed Power (W)</i>	397	503	670	393	324	18	58	54	14	14
Potenza assorbita (W) in sbrinamento elettr. (optional) <i>Absorbed Power (W)</i> <i>in electric defrost (optional)</i>	168	258	314	164	114	168	258	314	164	114
Temperatura d'esercizio <i>Working temperature</i>	+4°C/+8°C									

SWEET 2 LX	SWEET 2 LX G.I.					SWEET 2 LX G.E.				
	100	200	300	AI45°	AE45°	100	200	300	AI45°	AE45°
Potenza assorbita (W) <i>Absorbed Power (W)</i>	433	677	832	424	355	54	174	216	45	45
Potenza assorbita (W) in sbrinamento elettr. (optional) <i>Absorbed Power (W)</i> <i>in electric defrost (optional)</i>	204	374	466	195	145	204	374	466	195	145
Temperatura d'esercizio <i>Working temperature</i>	+4°C/+8°C									

Tab. 1

1 [Redacted]

2 [Redacted]

3 CODICE ITEM [Redacted]

4 MATRICOLA SN [Redacted]

5 [V] [Hz] [W] [A] [IP]

9 SBRINAMENTO DEFROSTING [W]

11 SUPERF.ESP. DISPLAY AREA [m²]

12 REFRIGERANTE REFRIGERANT [Redacted]

14 CLASSE CLASS [Redacted]

16 COMMESSA W.SCHED [Redacted] ORDINE W.ORD. [Redacted] ANNO YEAR [Redacted]

6 [Redacted]

8 [Redacted]

7 [Redacted]

20 [QR Code]

15 [Redacted]

10 [Redacted]

19 [Redacted]

13 [Redacted]

17 [Redacted]

18 [Redacted]

21 [Redacted]

CONTIENE GAS FLUORURATI AD EFFETTO SERRA DISCIPLINATI DAL PROTOCOLLO DI KYOTO
CONTAINS FLUORINATED GREENHOUSE GASES COVERED BY THE KYOTO PROTOCOL

Fig. 8

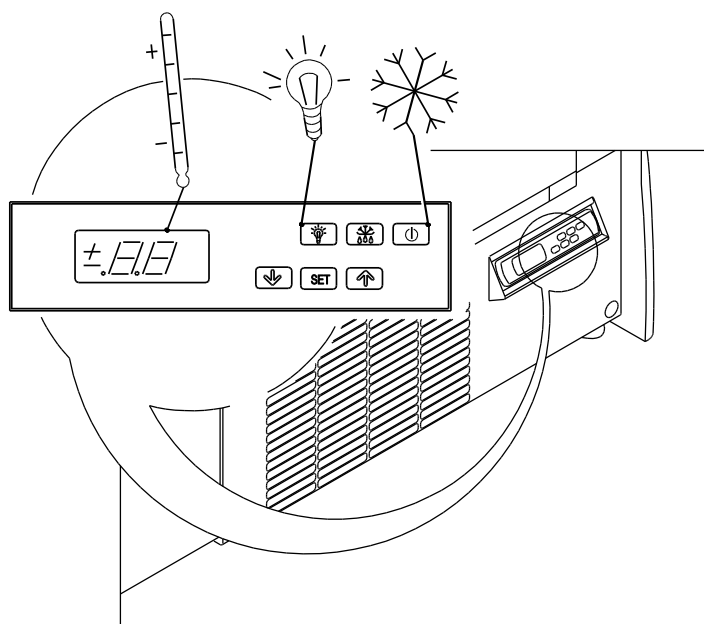


Fig. 9

SWEET 2

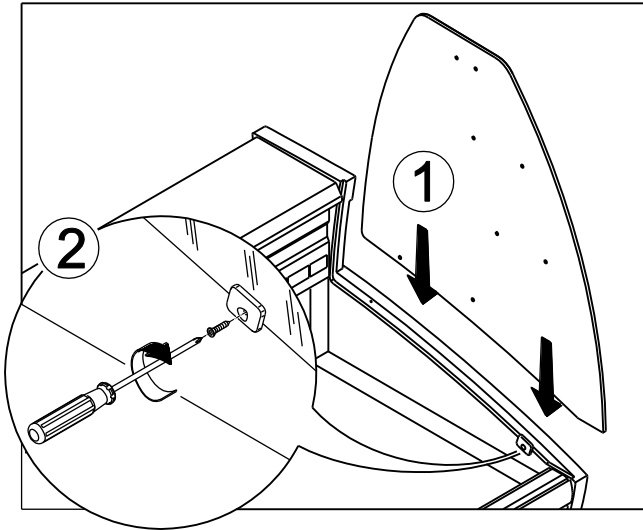


Fig. 10

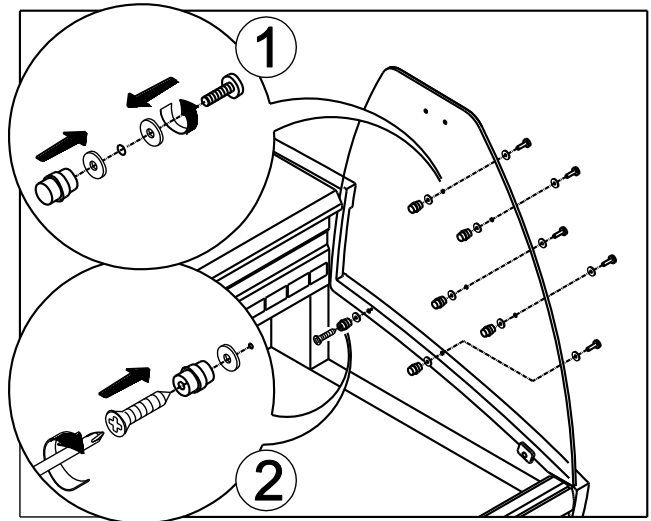


Fig. 11

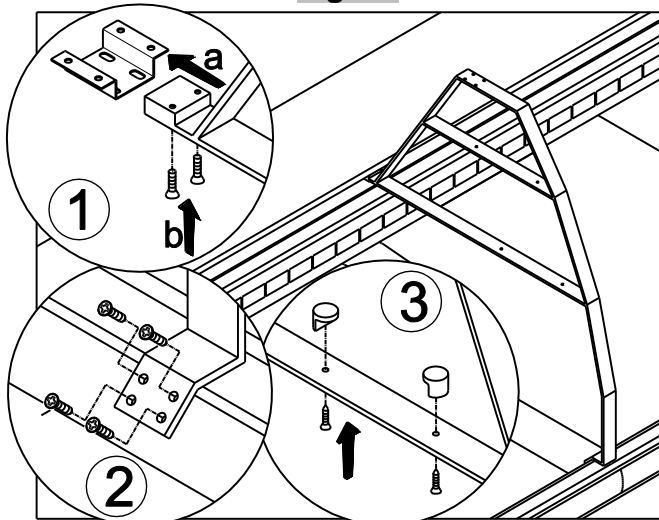


Fig. 12

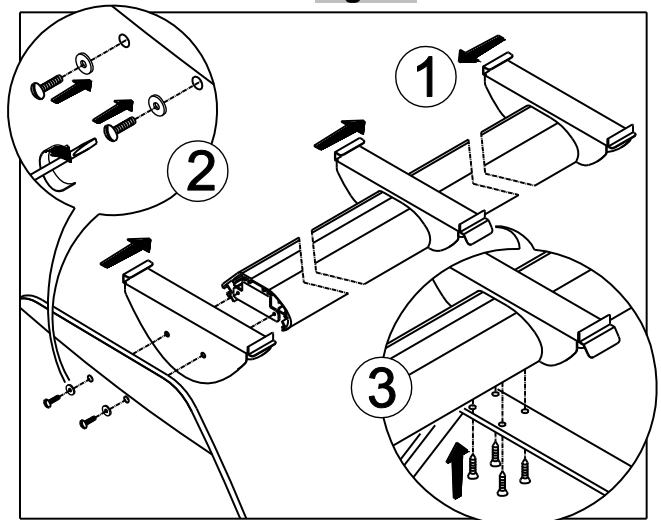


Fig. 13

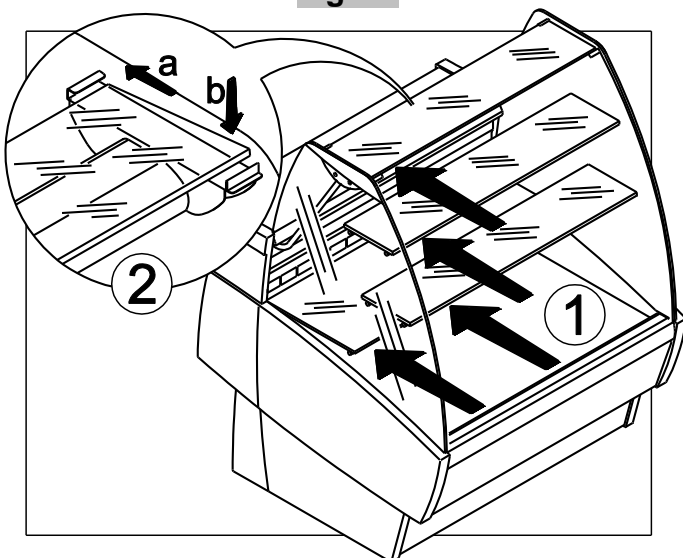


Fig. 14

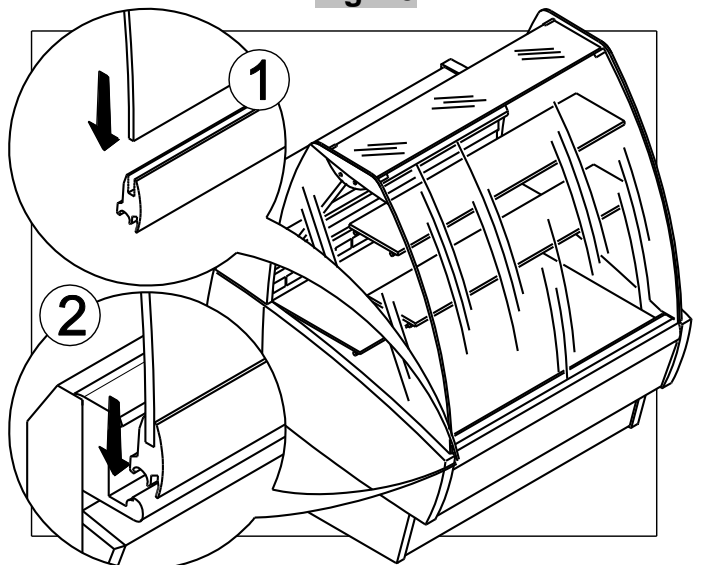


Fig. 15

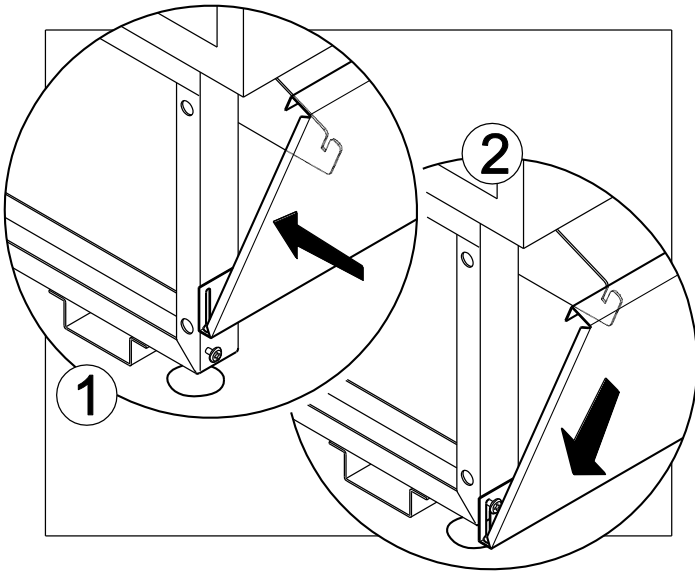


Fig. 16A

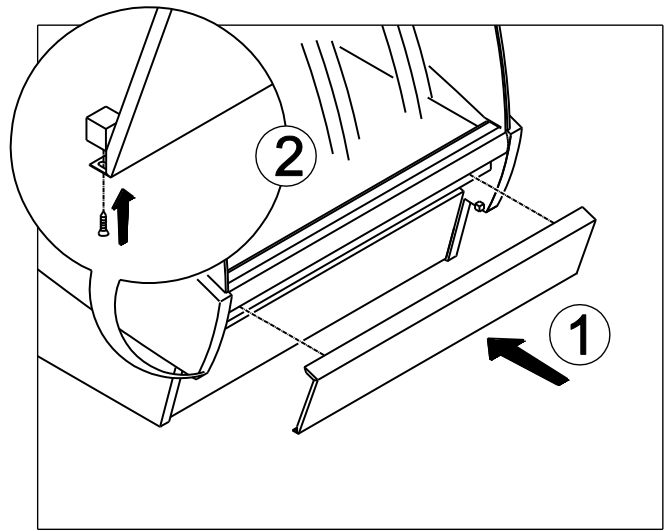


Fig. 16B

SWEET 2 LX

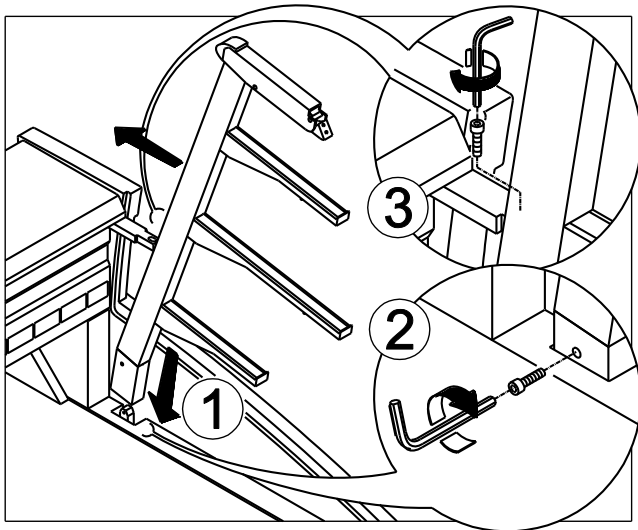


Fig. 17

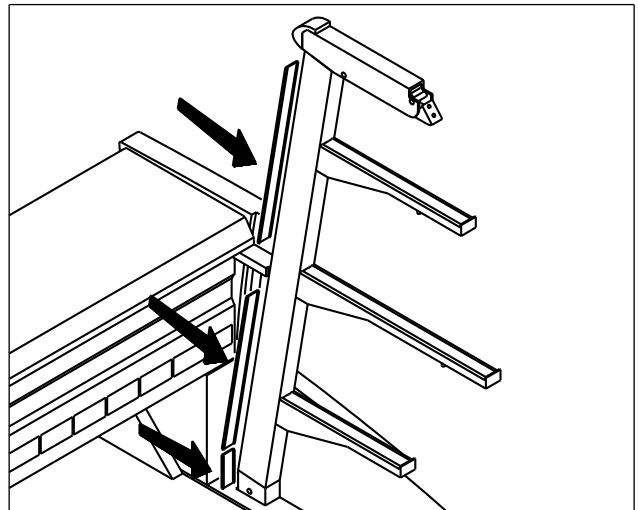


Fig. 18

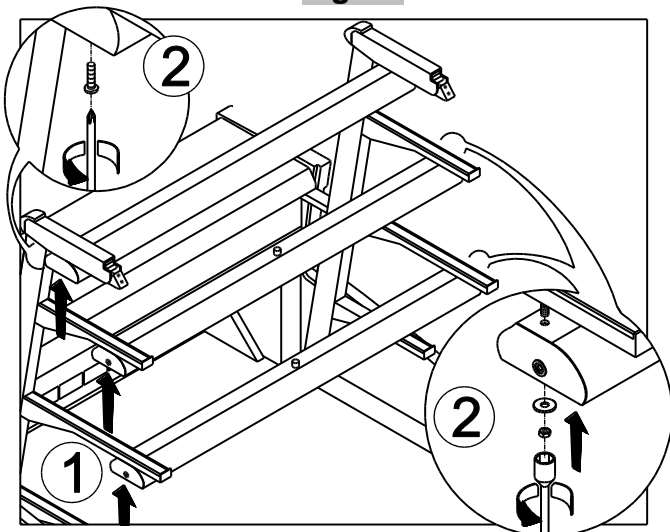


Fig. 19

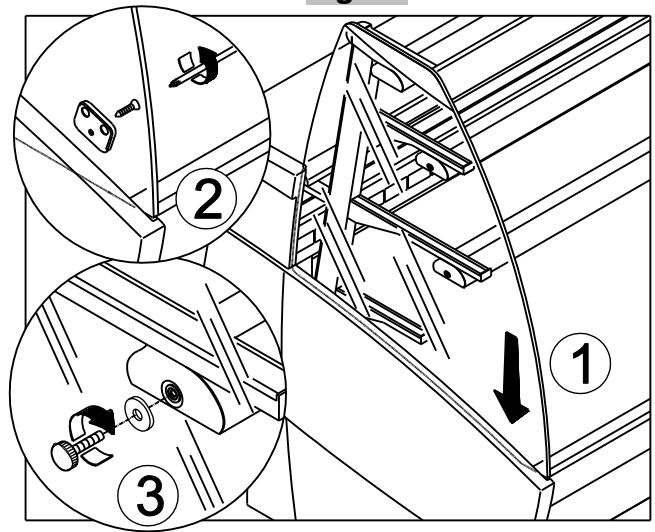


Fig. 20

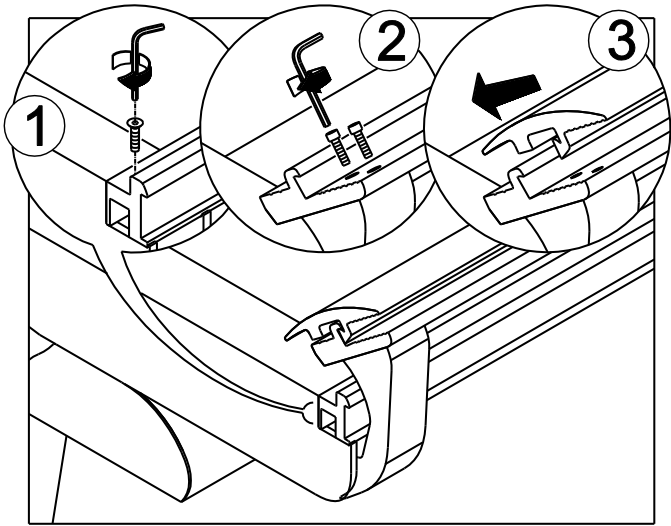


Fig. 21

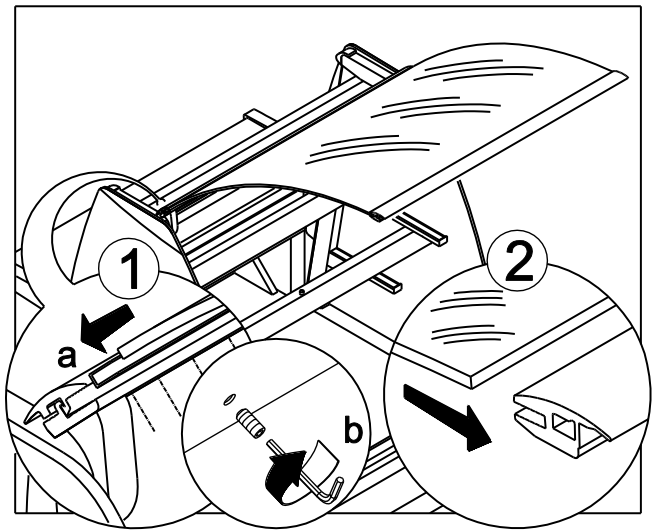


Fig. 22

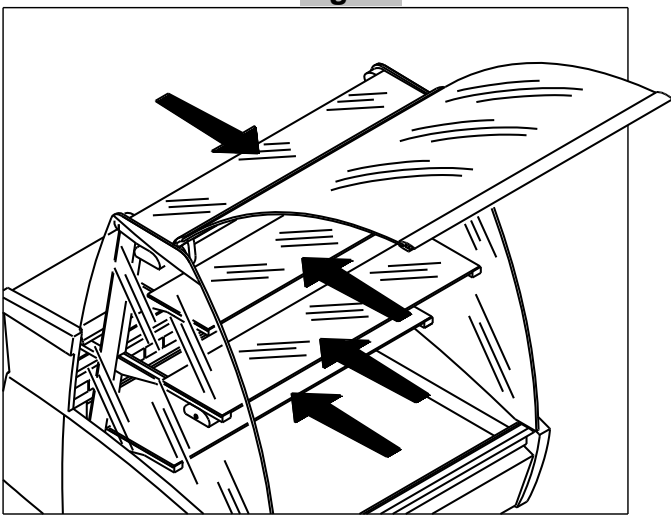


Fig. 23

**Manutenzione ordinaria – Routine maintenance – Entretien de routine - Ordentliche Wartung-
Mantenimiento de rutina – Техническое обслуживание прилавка**

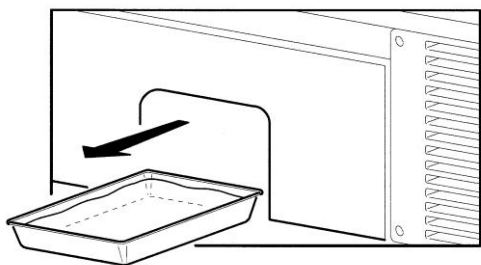


Fig. 24

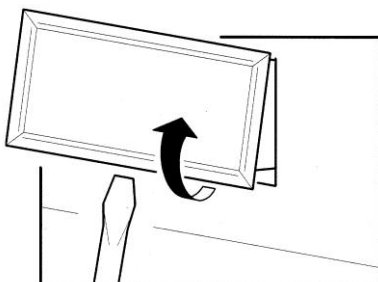


Fig. 25A

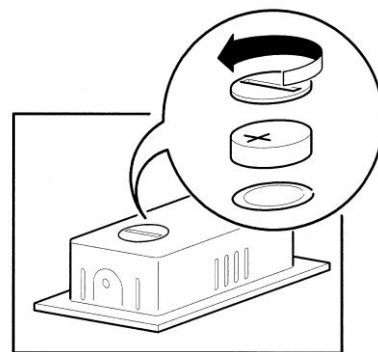


Fig. 25B

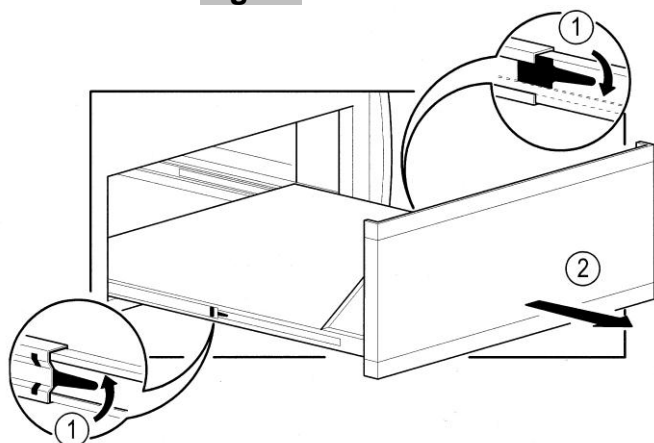


Fig. 26A

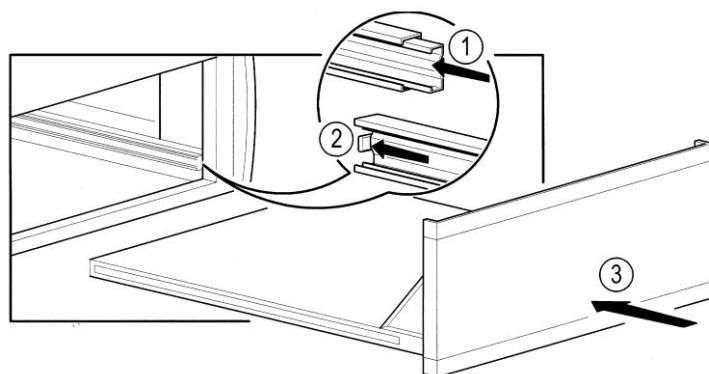


Fig. 26B

**Manutenzione straordinaria – Special maintenance – Entretien extraordinaire –
Außerordentliche Wartung - Mantenimiento extraordinario – Техническое обслуживание
прилавка**

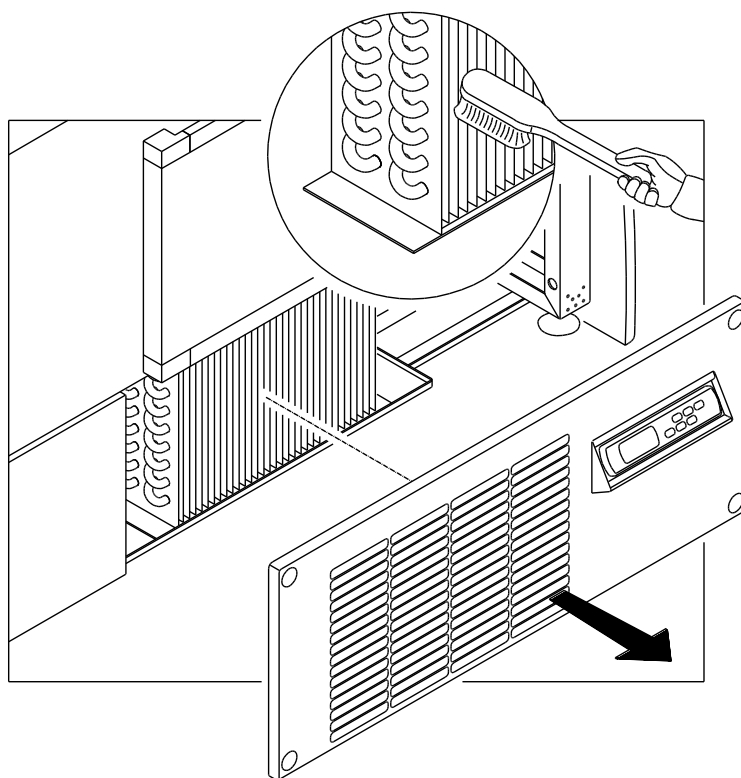


Fig. 27

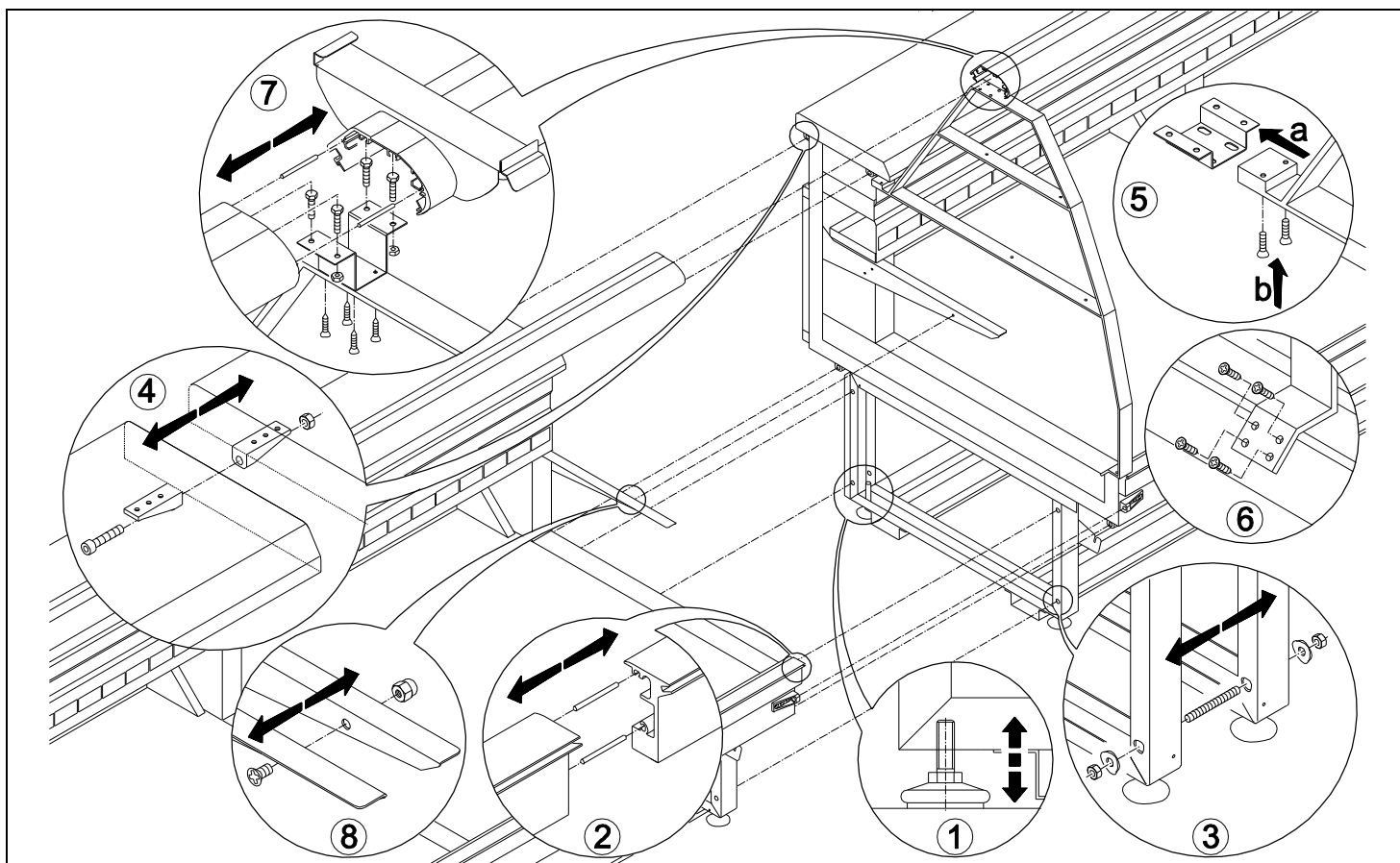


Fig. 28 Sweet 2

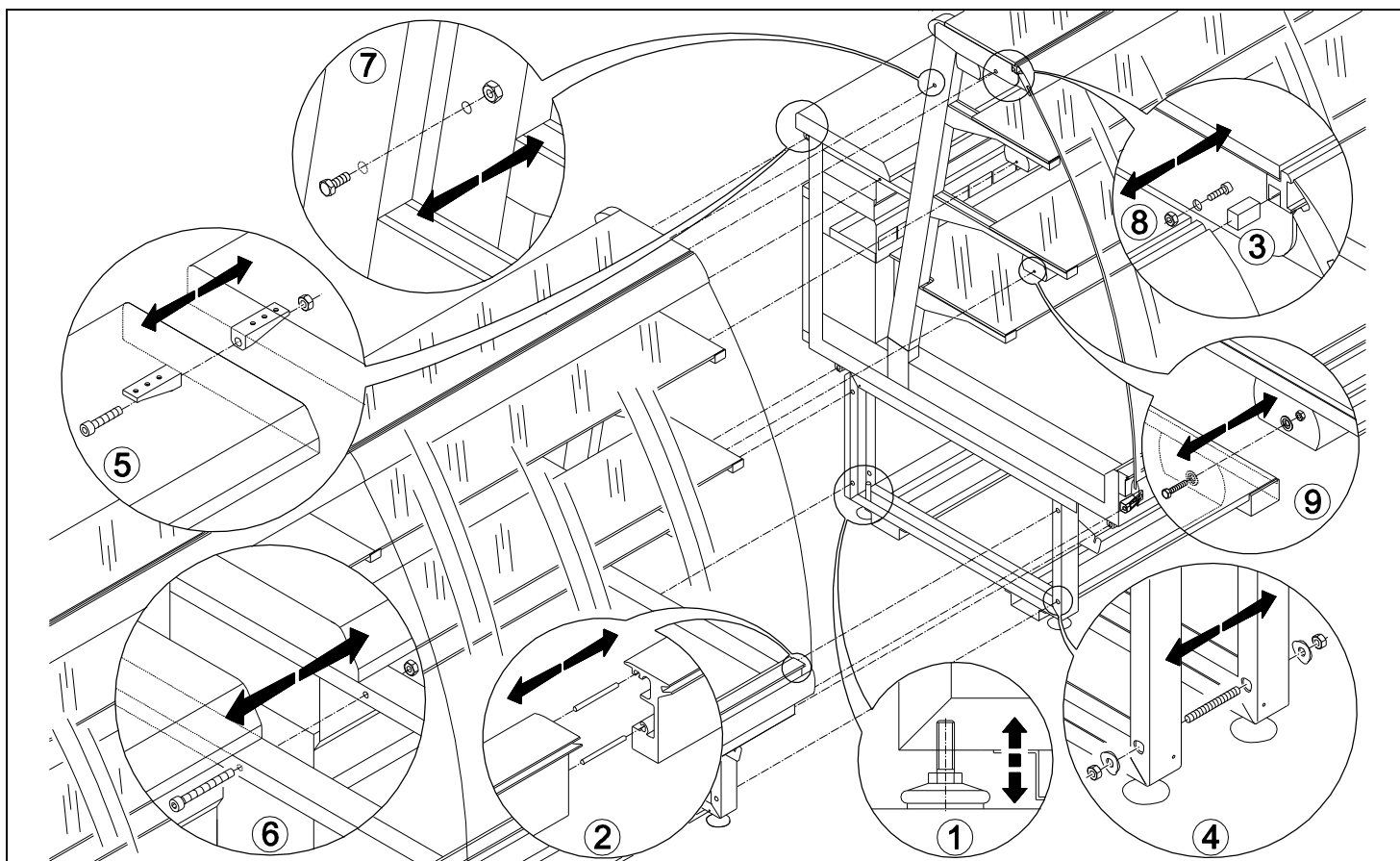


Fig. 29 Sweet 2 LX

