

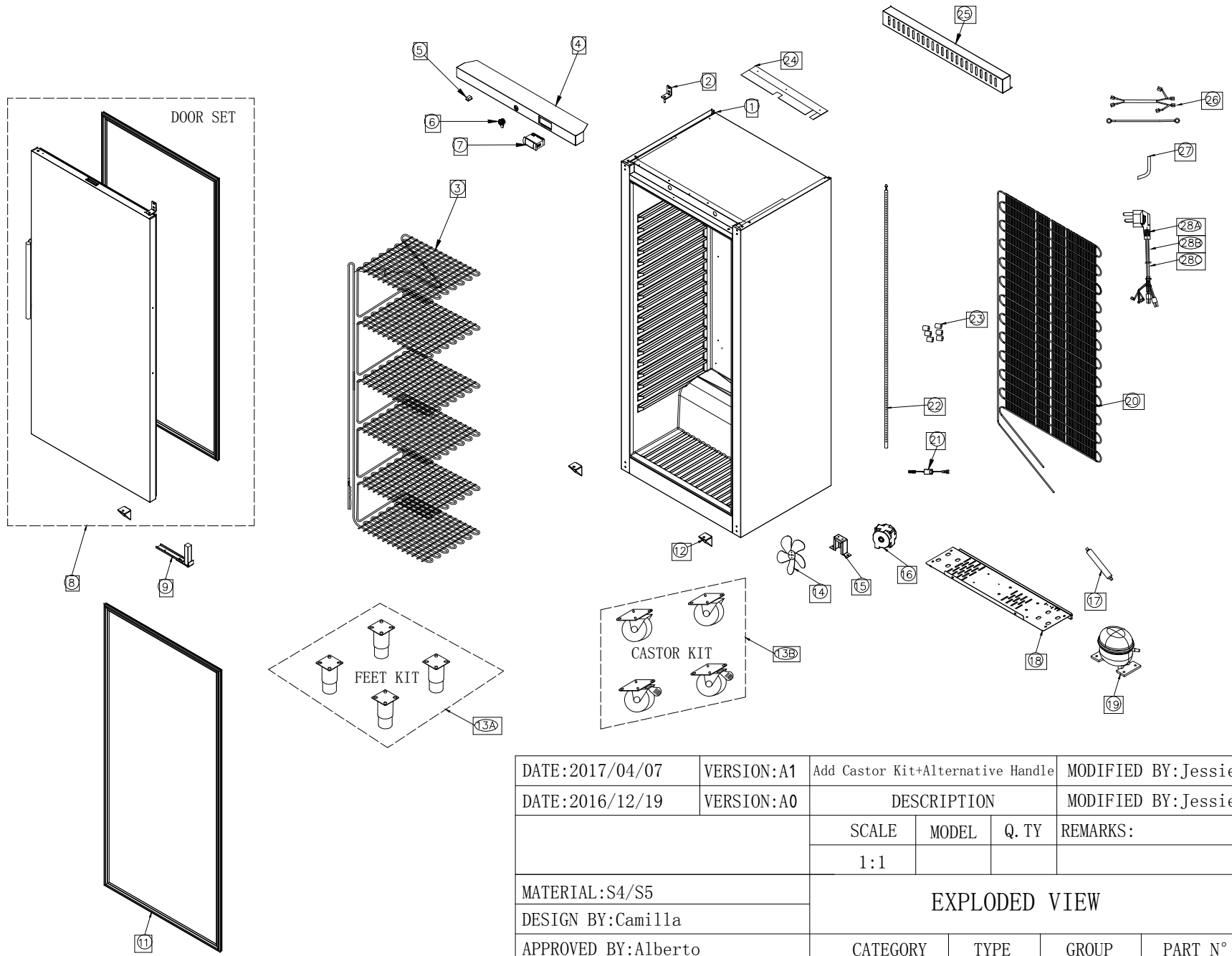
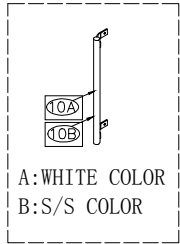
Spare-Parts List and Exploded View

(Ersatzteilliste-Explosionszeichnung)

Backwarentiefkühlschrank **BKT 460**

[Art. 45111460]





| | | | | | |
|---------------------|------------|-----------------------------------|-------|-------|--------------------|
| DATE:2017/04/07 | VERSION:A1 | Add Castor Kit+Alternative Handle | | | MODIFIED BY:Jessie |
| DATE:2016/12/19 | VERSION:A0 | DESCRIPTION | | | MODIFIED BY:Jessie |
| | | SCALE | MODEL | Q. TY | REMARKS: |
| | | 1:1 | | | |
| MATERIAL:S4/S5 | | EXPLODED VIEW | | | |
| DESIGN BY:Camilla | | | | | |
| APPROVED BY:Alberto | | CATEGORY | TYPE | GROUP | PART N° |
| DATE:2017/04/07 | | EV | 1AN6 | A1 | 1600 |

Item Description

BKT 460

BOM Number

1

Build Quantity

1

Fixed Cost

0

Remark

Unit pc

BOM Components

| Lev. 0 | Item Number | Descr | Quantity | u.m. | Spare Part |
|------------|--------------|--|----------|------|------------|
| | EV1AN6A11600 | BN 46/BNX 46-EXPLODED VIEW DRAW (Ver.A1 - S16) | 1 | pc | 1 |
| 1 | S41AN60A0001 | BN 46 - FOAMED ASSEMBLED BODY (White Color - S16) | 1 | pc | 1 |
| 2 | S41AN22A0004 | BY/BN 46 - RIGHT/UPPER HINGE (White Color)-(S16) | 1 | pc | 1 |
| 3 | A01AN67A0001 | BN 46/BNX 46-SHELVES EVAPORATOR (White color - S16) | 1 | pc | 1 |
| 4 | S41AN21A0001 | BY/BN 46 - UPPER FRONT PANEL (White Color)-(S16) | 1 | pc | 1 |
| 5 | E2306WH00001 | HC-050K.4 LIGHT SWITCH (3P) 250VAC-2.5A; | 1 | pc | 1 |
| 6 | Z01AN21A0003 | BY/BN 46 - LOCK + N.2 KEYS FOR FRONT PANEL-(S16) | 1 | pc | 1 |
| 7 | E20A111C3D00 | XR02CX-5R1C1 DIXELL BLULINE THERM.-LIDCGXB5AB (RWD) | 1 | pc | 1 |
| 8 | S41AN62A0001 | BN 46-DOOR SET(Gasket+Self Closing+Handle+Hinges+Bush)-S16 | 1 | pc | 1 |
| 9 | Z01AN22A0006 | BY 460/688 Range - SELF CLOSING SPRING (Solid Door - S16) | 1 | pc | 1 |
| 10A | S41AN22A0003 | BY/BYG/BN 46 - DOOR HANDLE (WHITE Color) | 1 | pc | 1 |
| 11 | R01AN22A0002 | BY/X-BN/X-BYG/X 46 - DOOR GASKET WHITE (Dim.1515x720mm)-S16 | 1 | pc | 1 |
| 12 | S41AN22A0007 | BY/BN 46 - RIGHT/LEFT BOTTOM HINGE (White Color)-(S16) | 2 | pc | 1 |
| 13A | KITFT1AN2A00 | BY/BN/BYX/BNX 46 - S/S FEET KIT (N.4 Adjustable feet)-(S16) | 1 | pc | 1 |
| 13B | KITCS1AA0A00 | RC 700/BY 460 - CASTOR KIT (N.2 Normal+N.2 With Brake) | 1 | pc | 1 |
| 14 | E181A2002801 | EBMPAPTS FAN BLADE D.200mm-28*; 300 M3/h | 1 | pc | 1 |
| 15 | Z01AN63A0001 | BN/BNX 46 - SUPPORT FOR COMPRESSOR FAN (S16) | 1 | pc | 1 |
| 16 | E17A1A020500 | YZF8213 FAN: 220-240V, 50/60Hz, 0.8Kg | 1 | pc | 1 |
| 17 | C01AN26A0001 | BY/BN/BYX/BNX 46 - DRIER FILTER (15g)-(S16) | 1 | pc | 1 |
| 18 | Z01AN23A0001 | BY/BN/BYX/BNX 46 - ENGINE PLATE - (S16) | 1 | pc | 1 |
| 19 | E27B2N1D0000 | L76CU1 COMP.DONPER R290 - 220/240V 50Hz-1/2 HP RSIR: | 1 | pc | 1 |
| 20 | I01AN68A0001 | BN/BNX 46 - REAR WIRE CONDENSER - (Freezer - S16) | 1 | pc | 1 |
| 21 | E26A10120180 | AC/DC ADAPTER MOD.ZF120A-1201500 | 1 | pc | 1 |
| 22 | E22AL1120150 | LED STRIPES LAMP-12VDC 15W-N°xx HIGH BRIGHT | 1 | pc | 1 |
| 23 | R01AN28A0002 | BY/BN/BYX/BNX 46 - SPACER FOR WIRE CONDENSER (D.25x20mm)-S16 | 6 | pc | 1 |
| 24 | S41AN21A0002 | BY/BN/BYX/BNX 46 - FRONT PANEL FIXED PLATE (White Color-S16) | 1 | pc | 1 |
| 25 | S41AN20A0004 | BY/BN 46 - BOTTOM LOUVER (White Color - S16) | 1 | pc | 1 |
| 26 | KITCB1AN6A00 | BN 46/BNX 46 - WIRING KIT (DIXELL THERMOSTAT - S16) | 1 | pc | 1 |
| 27 | C01AN26A0003 | BY/BN/BYX/BNX 46 - CHARGE PIPE (D.6mm) - (S16) | 1 | pc | 1 |
| 28A | E25EUB315300 | POWER CORD 3x1,5 mmq - EU PLUG - BLACK COLOR 3 Mt | 1 | pc | 1 |

| | | | | | |
|------------|--------------|--|---|----|---|
| 28B | E25UKB315300 | POWER CORD 3x1,5 mmq - UK PLUG - BLACK COLOR 3 Mt | 1 | pc | 1 |
| 28C | E25AUB315300 | POWER CORD 3x1,5 mmq - AUSTRALIAN PLUG - BLACK COLOR 3.0 Mt. | 1 | pc | 1 |