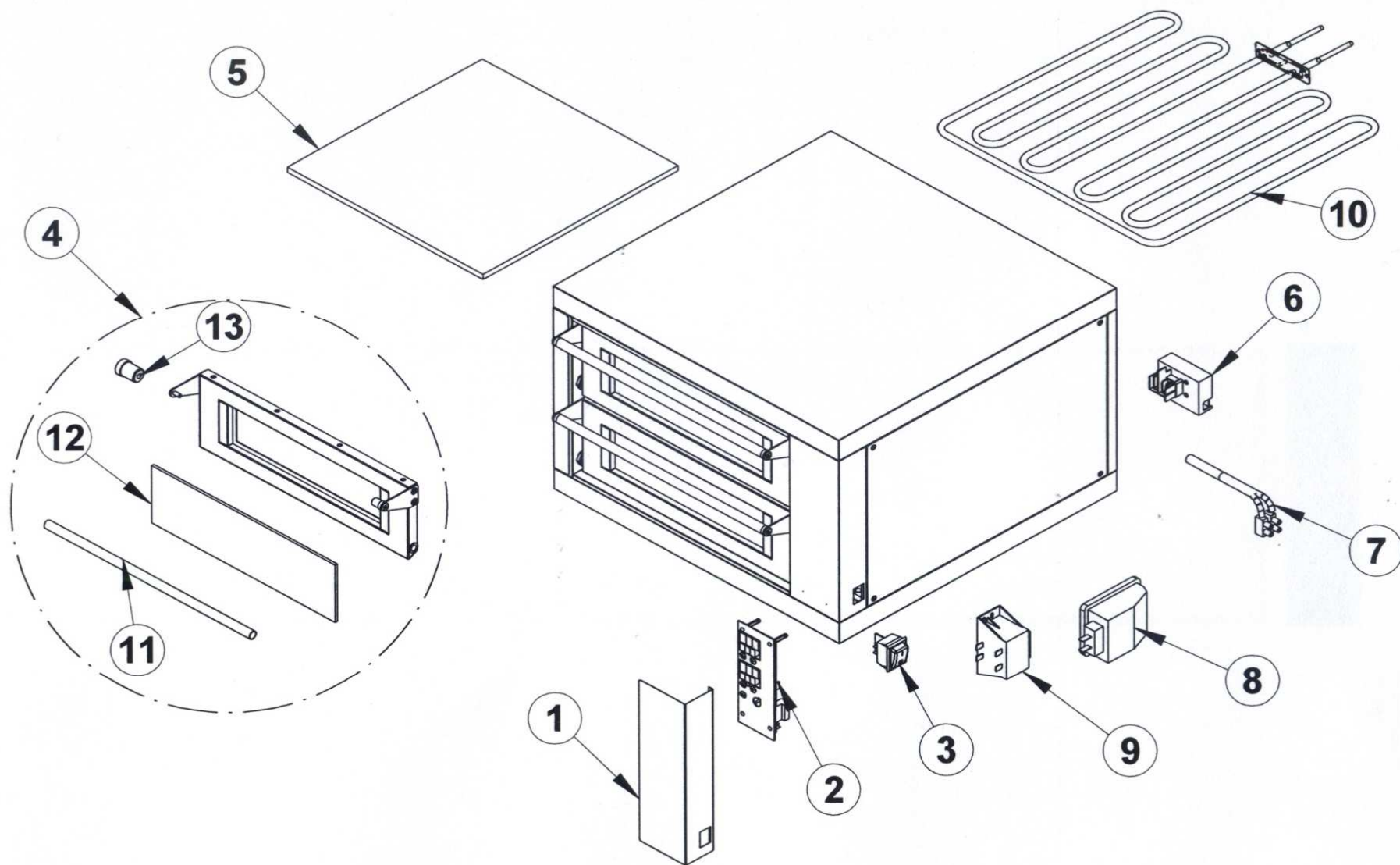


Ersatzteilliste-Explosionszeichnung

MORETTI Regenerationsofen **LINK**

[Art. 493650001]





#	Tipo Type Type Type Tipo	Codice Code Code Kode Codigo	DESCRIZIONE	Description Description Beschreibung Descripción	consigliati recommended	in stock	
1		73504080	ETICHETTA QUADRO COMANDI LINK	Label control panel - Etiquette-panneau de control - Etikett-Schalltafel - Tarjeta-panel de mando			
2		74301450	PIROMETRO TERMOR LINK (LED BIANCHI)	Pyrometer - Piromètre - Pyrometer - Pirómetro	X	X	
3		74501110	INT.BIP. LENTE LUM. NYLON NERO 0/1 (4010I1536/A01)	Switch - Interrupteur - Ausschalter - Interruptor	X	X	
4		68011170	A. SPORTELLO LINK	Complete door - Porte complète - Komplette Tür - Puerta completa			
5		76003430	PIANA BAKINGSTONE 410x410x10 BROWN PYR.	brick bakinstone - Brique bakinstone - Schamotte bakinstone - Ladrillo bakinstone			
6		74600630	MORSETTIERA PA244N (ITW 00500420B)	Terminals board - Platine des bornes - Klemmkaste - Bornera		X	
7		66081910	A. TERMOCOPPIA L=110_____ *24*	Thermocouple - Thémocouple - Thermoelement - Termopar	X	X	
8		74700320	PORTALAMP. COMPL. BJB 77.638 (G9 40W 230V)	Lamp holder - Douille - Lampenfassung - Portalámparas			
9		74110200	TRASFORMATORE 1123593 10VA 12V 230V CLASSE 2 UL	Transformer - Transformateur - Transformator - Transformador	X	X	
10		74402340	RESISTENZA CORAZZATA D.8,5 V230 W970	Armored heating element-bottom - Résistance blindée-sole - Gepanzerte Heinzelement-boden - Resistencia blindada-techo	X	X	
11		72017960	MANIGLIONE	Handle - Poignée - Klinke - Manija			
12		73701800	VETRO TEMP. 385x110x5 COMPL. DI GUARNIZ.(46800430)	Tempered glass - Verre Trempé - Gehärtetesglas - Vidrio templado			

#	Tipo Type Type Type Tipo	Codice Code Code Kode Codigo	DESCRIZIONE	Description Description Beschreibung Descripción	consigliati	recommended	in stock
13		72602660	BOCCOLA ATTACCO MANIGLIA	Handle attachment bush - Manchette de fixation de poignée - Griff Befestigungsbuchse - Mango de accessorio bush			

NordCap GmbH & Co. KG
Thalendorststraße 15
28307 Bremen
Hauptsitz (Service, Finanzen & Personal, Lager, IT, Marketing)

Telefon: +49 421 48557-0
Telefax: +49 421 488650
E-Mail: bremen@nordcap.de

Die NordCap Verkaufsniederlassungen in Deutschland:

Nord: Hamburg • Ost: Berlin • Süd: Ingelheim • West: Erkrath

by **NordCap**[®]

 **MORETTI
FORNI**
The SmartBaking Company[®]