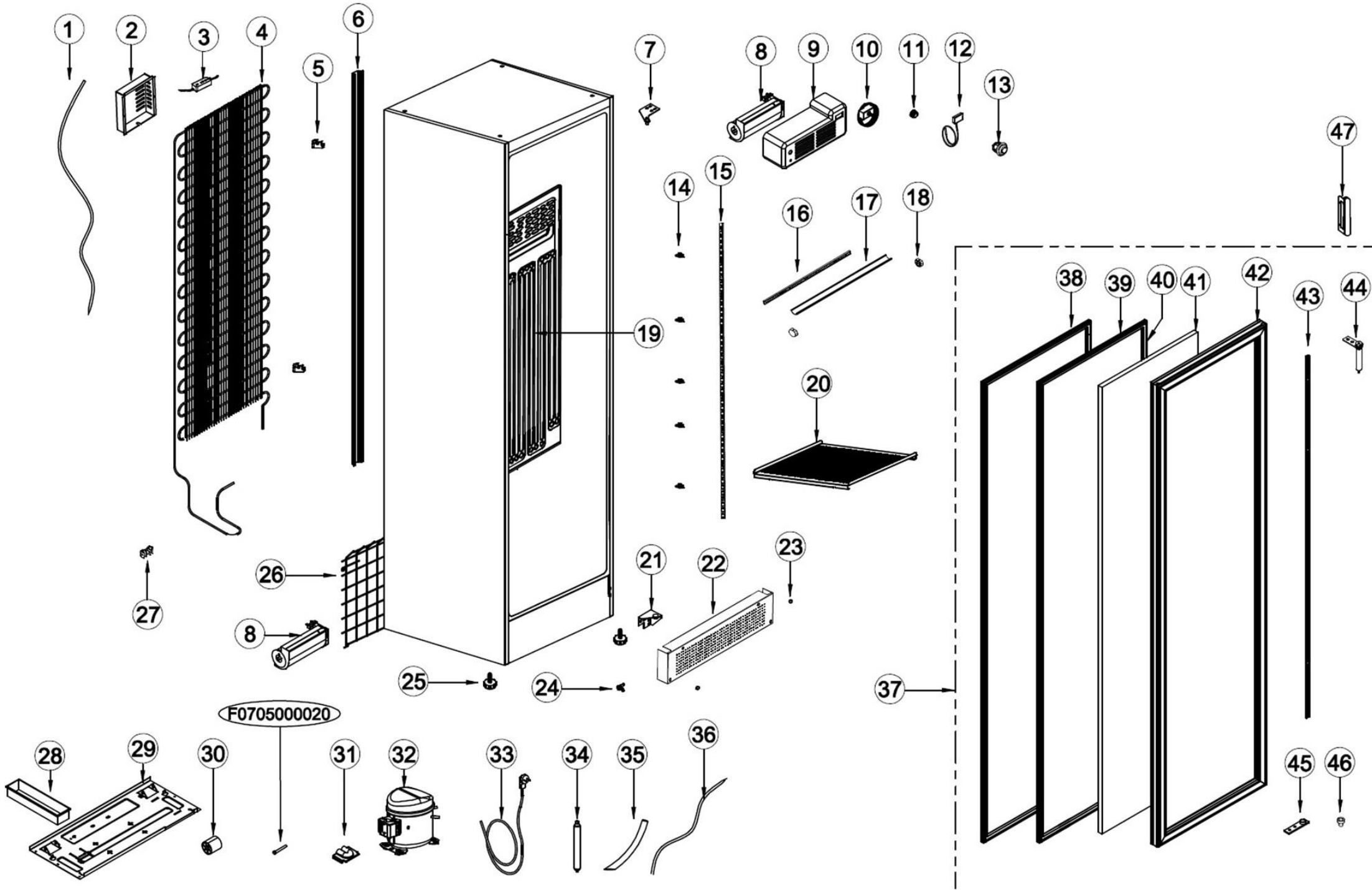


Ersatzteilliste-Explosionszeichnung

Flaschenkühlschrank SCU 1425

[Art. 4358001425]





33579 / SCU1425H

Position	ItemNo	Description
02	34401	Ballast Cover
03	34402	Power supply
04	34403	Condenser
05	14199	Holder For Condenser 2015
06	33333	Cover For Wires
07	34404	Right Upper Hinge
08	13531	Fan Motor Int/Ext
09	33334	Cover For Internal Fan Black
10	34405	Thermostat 07B1687 Danfoss
11	14014	Thermostat Knob
12	33379	Digital Thermometer w/Black Frame
13	33336	Light Switch Black
14	32062	Clip For Shelf Black
15	33337	Rail For Shelves Black 1374 mm.
16	33338	460 mm LED Strip 6500K 7LM
17	33339	LED Cover
18	33340	End Cap LED Light Black
19	14488	Roll Bond Evaporator White
20	32102	Wire Shelf Black
21	12764	Bottom Hinge Pin For Wires Right
22	33342	Bottom Panel Hexagonal
23	11243	Cover For Screw
24	10715	Lock With Keys
25	14570	Adjustable Screw Foot
26	11238	Rear Grill Black
27	14198	Fixing Clamp For Condenser
28	11470	Drip Tray
30	14608	Big Roller
31	13610	Cable Clamp
32	33343	Compressor TT1117GY R600a
34	15721	Filter Drier 20 G
35	11442	Drain Pipe
37	34288	ALU frame Door Black complete
38	34349	Doorgasket black
43	34406	LED Light 1660 mm. UPS LED 6500K13LM
44	12940	Spring Hinge Complete Right
45	12852	Bottom Hinge Right
46	12875	Hinge Spring Cover
47	34348	Handle

2022-04-22

NordCap GmbH & Co. KG
Thalenhorststraße 15
28307 Bremen
Hauptsitz (Service, Finanzen & Personal, Lager, IT, Marketing)

Telefon: +49 421 48557-0
Telefax: +49 421 488650
E-Mail: bremen@nordcap.de

Die NordCap Verkaufsniederlassungen in Deutschland:

Nord: Hamburg • Ost: Berlin • Süd: Ingelheim • West: Erkrath

