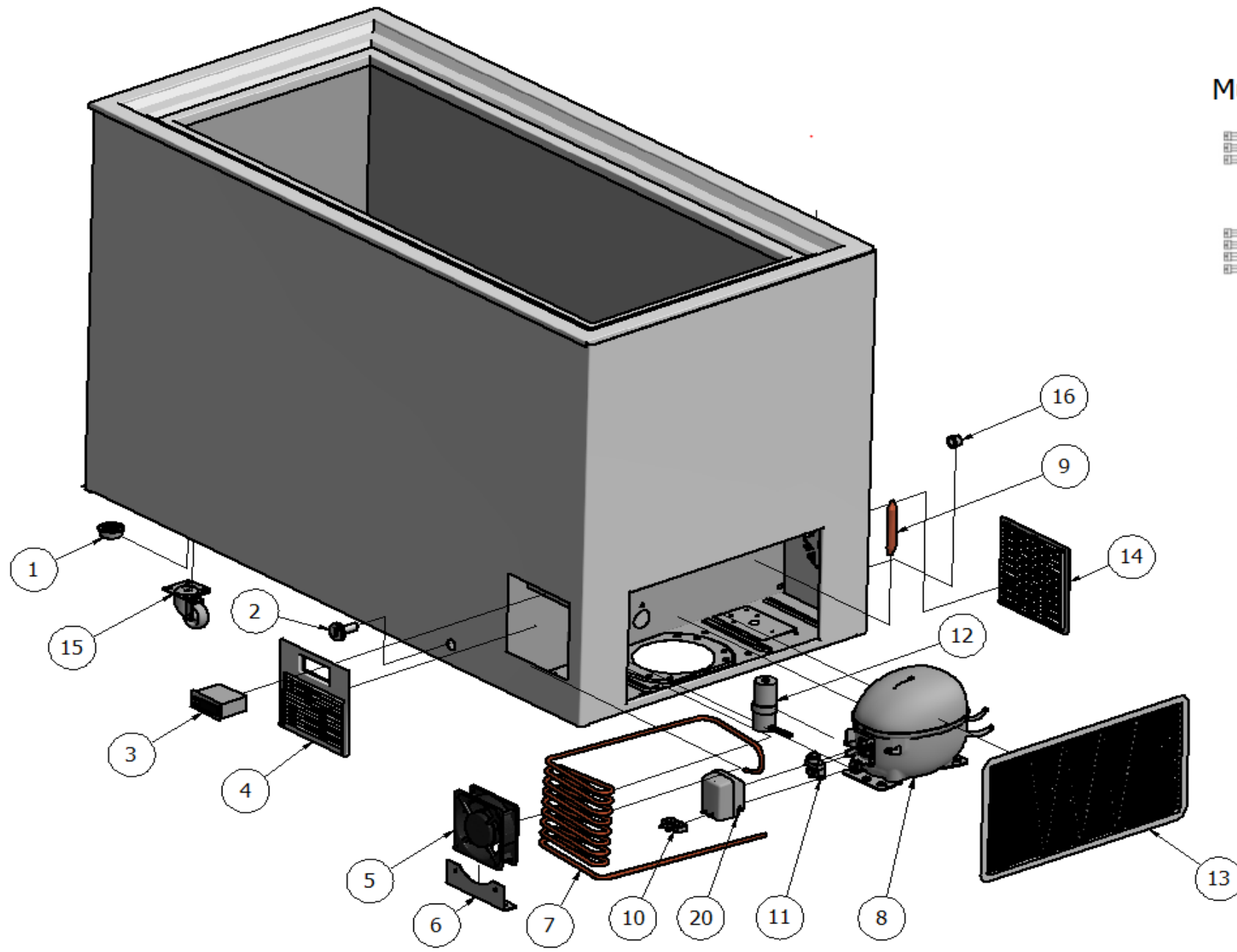


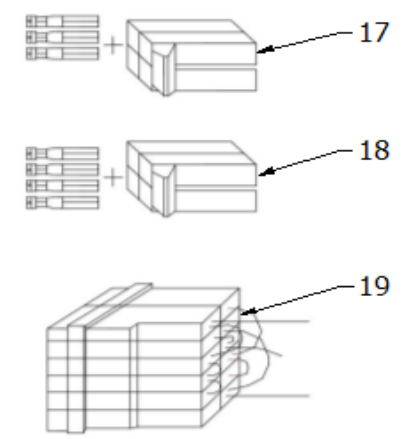
# Ersatzteilliste-Explosionszeichnung

## Labor-Tiefkühltruhe Serie **EL LT**





Multi Plugsystem



| ITEM NO. | PCS | DESCRIPTION             | MODEL 11         |      | MODEL 21         |      | MODEL 31         |      | MODEL 41         |      | MODEL 51         |      |
|----------|-----|-------------------------|------------------|------|------------------|------|------------------|------|------------------|------|------------------|------|
|          |     |                         | CODE             | EURO | CODE             | EURO | CODE             | EURO | CODE             | EURO | CODE             | EURO |
| 1        | 4   | Plastic foot            | SP1412<br>SP1413 | 1    | SP1412<br>SP1413 | 1    | SP1412<br>SP1413 | 1    | SP1412<br>SP1413 | 1    | SP1412<br>SP1413 | 1    |
| 2        | 1   | Stopper for drain       | E1HU             | 2    | E1HU             | 2    | E1HU             | 2    | E1HU             | 2    | E1HU             | 2    |
| 4        | 1   | Front ventilation grill | PLASTMFP13       | 3    | PLASTMFP13       | 3    | PLASTMFP13       | 3    | PLASTMFP13       | 3    | PLASTMFP13       | 3    |
| 6        | 1   | Bracket for fan         | Beslag BL        | 7    | Beslag BL        | 7    | Beslag BL        | 7    | Beslag BL        | 7    | Beslag BL        | 7    |
| 7        | 1   | Precondensor            | Forkondl1        | 18   | Forkondl1        | 18   | Forkondl1        | 18   | Forkondl1        | 18   | Forkondl1        | 18   |
| 9        | 1   | Filter dryer            | Filter6XH9       | 5    | Filter6XH9       | 5    | Filter6XH9       | 5    | Filter6XH9       | 5    | Filter6XH9       | 5    |
| 13       | 1   | Cover for motor room    | SP1417           | 8    | SP1417           | 8    | SP1417           | 8    | SP1417           | 8    | SP1417           | 8    |
| 14       | 1   | Square grill            | E51H             | 7    | E51H             | 7    | E51H             | 7    | E51H             | 7    | E51H             | 7    |
| 15       | 1   | Wheels set(2 w. brake)  | 8100.0202        | 15   | 8100.0202        | 15   | 8100.0202        | 15   | 8100.0202        | 15   | 8100.0202        | 15   |
| 16       | 1   | Cable retainer          | E59Aflast1       | 0,1  | E59Aflast1       | 0,1  | E59Aflast1       | 0,1  | E59Aflast1       | 0,1  | E59Aflast1       | 0,1  |
| 17       | 1   | Plug with two pins      |                  |      |                  |      |                  |      |                  |      |                  |      |
| 18       | 1   | Plug with four pins     |                  |      |                  |      |                  |      |                  |      |                  |      |

**230 volt 50 Hz**

**STANDARD**

|    |   |                                       |                     |     |             |     |             |     |             |     |             |     |
|----|---|---------------------------------------|---------------------|-----|-------------|-----|-------------|-----|-------------|-----|-------------|-----|
| 3  | 1 | Electronic thermostat<br>Incl. sensor | 230V<br>DIXELL30CH2 | 77  | DIXELL30CH2 | 77  | DIXELL30CH2 | 77  | DIXELL30CH2 | 77  | DIXELL30CH2 | 77  |
| 5  | 1 | Fan230V                               | BLAES230HBT         | 17  | BLAES230HBT | 17  | BLAES230HBT | 17  | BLAES230HBT | 17  | BLAES230HBT | 17  |
| 8  | 1 | Compressor 230V 50HZ, <b>R290</b>     | NEU2140U            | 111 | NEU2155U    | 136 | NEU2168U    | 160 | NEU2168U    | 160 | NT2180U     | 173 |
| 19 | 1 | Multiplug with cable                  | TSK0104             | 8   | TSK0104     | 8   | TSK0102     | 8   | TSK0101     | 8   | TSK0102     | 8   |
| 11 | 1 | Starting relay                        | NEU2140URE          | 8   | NEU2155URE  | 8   | NEU2168URE  | 17  | NEU2168URE  | 17  |             |     |
| 12 | 1 | Starting capacitor                    | NEU2140USK          | 16  | NEU2155USK  | 16  | NEU2168USK  | 20  | NEU2168USK  | 20  |             |     |
|    |   | Motor protector/ KLIXON               | NEU2140UKL          | 6   | NEU2155UKL  | 6   | NEU2168UKL  | 6   | NEU2168UKL  | 6   |             |     |
| 20 | 1 | Cover                                 | 103N2009            | 0,5 | 103N2009    | 0,5 | 103N2009    | 0,5 | 103N2009    | 0,5 | 103N2009    | 0,5 |
| 10 | 1 | Cord relief                           | 103N1004            | 0,5 | 103N1004    | 0,5 | 103N1004    | 0,5 | 103N1004    | 0,5 | 103N1004    | 0,5 |

**115 volt 60 Hz**

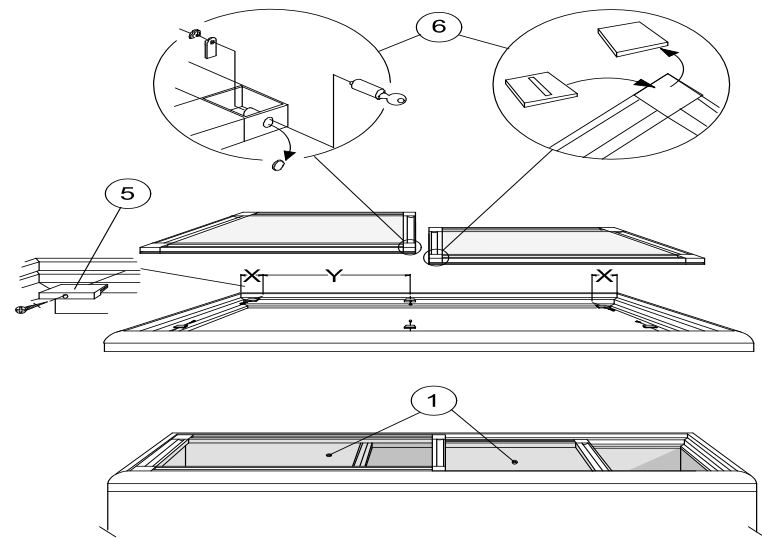
**UL SPEC.**

|    |   |                                       |                     |     |             |     |             |     |             |     |             |     |
|----|---|---------------------------------------|---------------------|-----|-------------|-----|-------------|-----|-------------|-----|-------------|-----|
| 3  | 1 | Electronic thermostat<br>Incl. sensor | 115V<br>DIXELL30CH1 | 77  | DIXELL30CH1 | 77  | DIXELL30CH1 | 77  | DIXELL30CH1 | 77  | DIXELL30CH1 | 77  |
| 5  | 1 | Fan115V                               | BLAES115HBT         | 17  | BLAES115HBT | 17  | BLAES115HBT | 17  | BLAES115HBT | 17  | BLAES115HBT | 17  |
| 8  | 1 | Compressor 120V 60HZ, <b>R290</b>     | NEU2140U1           | 122 | NEU2155U1   | 136 | NEU2168U1   | 170 | NT2170UV1   | 238 | NT2180UV1   | 244 |
| 19 | 1 | Multiplug with cable                  | TSKU0101            | 8   | TSKU0101    | 8   | TSKU0001    | 8   | TSKU0001    | 8   | TSKU0001    | 8   |
| 12 | 1 | Starting relay                        | NEU2140U1RE         | 8   | NEU2155U1RE | 13  | NEU2168U1RE | 13  | NT2170UV1RE | 13  | NT2180UV1RE | 13  |
| 13 | 1 | Starting capacitor                    | NEU2140U1SK         | 16  | NEU2155U1SK | 16  | NEU2168U1SK | 16  | NT2170UV1SK | 16  | NT2180UV1SK | 16  |
|    | 1 | Motor protector/ KLIXON               | NEU2140U1KL         | 5   | NEU2155U1KL | 5   | NEU2168U1KL | 5   | NT2170UV1KL | 5   | NT2180UV1KL | 5   |

230 volt 60 Hz

KTC SPEC.

|    |   |   |             |     |  |  |  |  |  |  |  |  |
|----|---|---|-------------|-----|--|--|--|--|--|--|--|--|
| 3  | 1 | Electronic thermostat<br>230V Incl. sensor  | DIXELL30CH2 | 77  |  |  |  |  |  |  |  |  |
| 5  | 1 | Blæser 230V High speed                      | BLAES230HBT | 17  |  |  |  |  |  |  |  |  |
| 8  | 1 | Compressor 200-230V/50-60HZ<br><b>R404A</b> | NEU2140GK2  | 140 |  |  |  |  |  |  |  |  |
| 20 | 1 | Multiplug with cable                        | TSK0104     | 8   |  |  |  |  |  |  |  |  |
| 12 | 1 | Starting relay                              | 117U6005    | 7   |  |  |  |  |  |  |  |  |
| 13 | 1 | Starting capacitor                          | 117U5017    | 11  |  |  |  |  |  |  |  |  |
| 21 | 1 | Cover                                       | 103N2009    | 0,5 |  |  |  |  |  |  |  |  |
| 11 | 1 | Cord relief                                 | 103N1004    | 0,5 |  |  |  |  |  |  |  |  |
| 10 | 1 | Startkit complet                            |             |     |  |  |  |  |  |  |  |  |

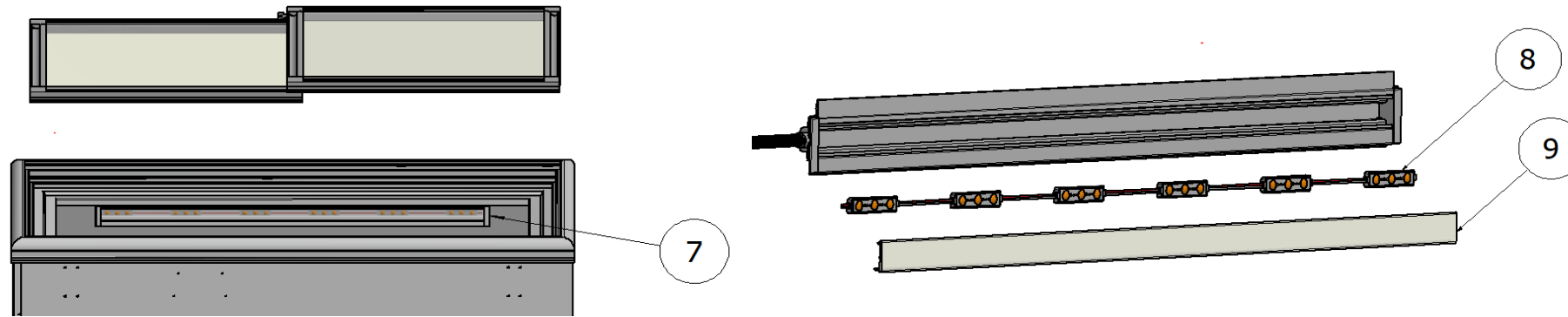


X = 100 mm

Y {  
 22 = 165 mm  
 35 = 340 mm  
 45 = 460 mm  
 53 = 535 mm  
 51 = 645 mm

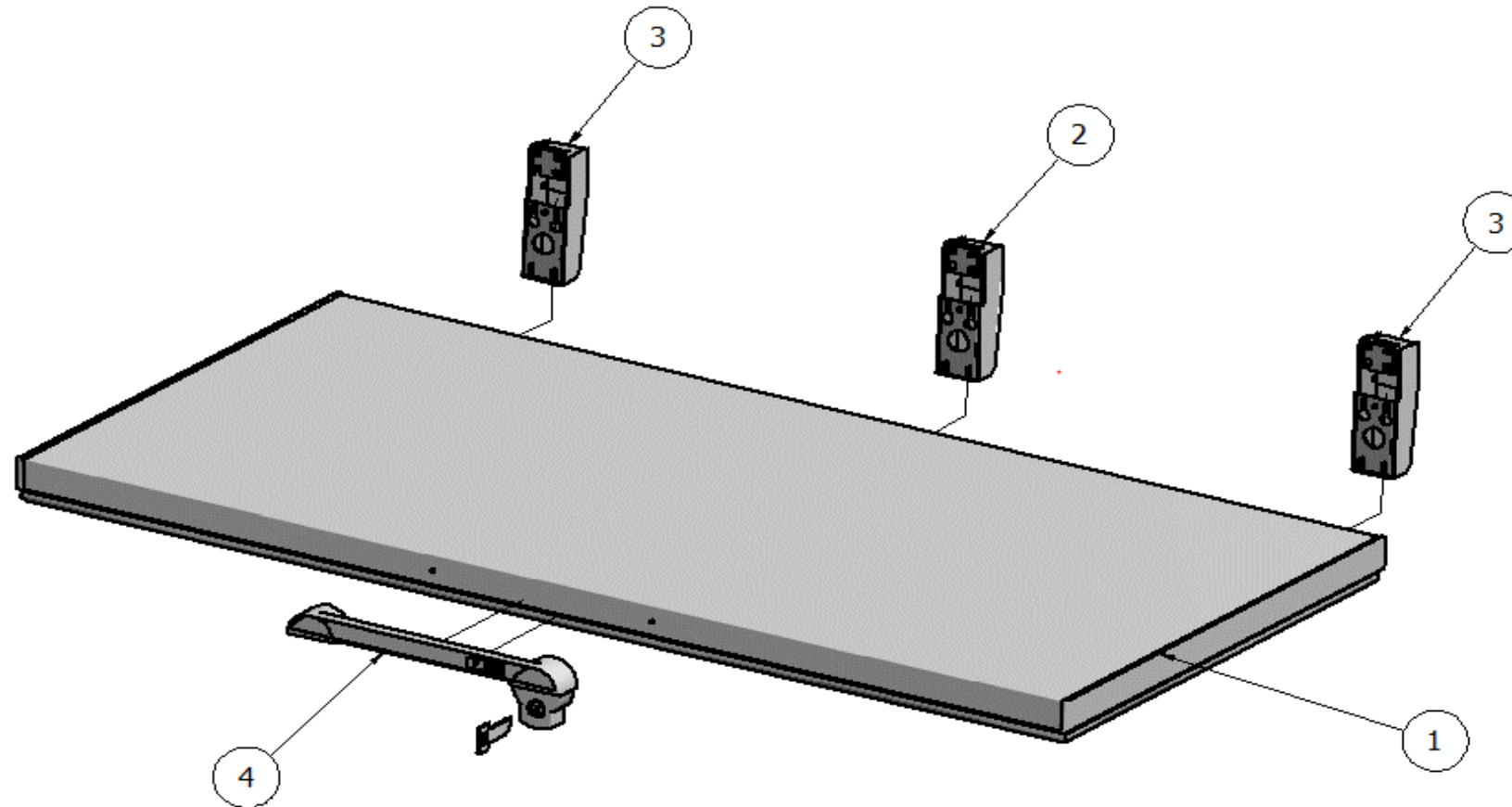
| ITEM NO. | PCS | DESCRIPTION               | MODEL 11   |  | MODEL 21   |  | MODEL 31   |  | MODEL 41   |  | MODEL 51   |  |
|----------|-----|---------------------------|------------|--|------------|--|------------|--|------------|--|------------|--|
|          |     |                           | CODE       |  | CODE       |  | CODE       |  | CODE       |  | CODE       |  |
| 1        | 1   | Glass Lid upper with lock | 8014.0100  |  | 8014.0202  |  | 8014.0302  |  | 8014.0402  |  | 8014.0502  |  |
| 1        | 1   | Glass Lid lower with lock | 8014.0101  |  | 8014.0203  |  | 8014.0303  |  | 8014.0403  |  | 8014.0503  |  |
| 1        | 1   | CAL lid upper with lock   | 8011.0100  |  | 8011.0200  |  | 8011.0300  |  | 8011.0400  |  | 8011.0500  |  |
| 1        | 1   | CAL lid lower with lock   | 8011.0101  |  | 8011.0201  |  | 8011.0301  |  | 8011.0401  |  | 8011.0501  |  |
| 5        | 6   | Dowels (SG4 lock)         | SP1993     |  | SP1993     |  | SP1993     |  | SP1993     |  | SP1993     |  |
| 6        | 1   | Lock kit complete         | 82CYL1SG 4 |  | 82CYL1SG 4 |  | 82CYL1SG 4 |  | 82CYL1SG 4 |  | 82CYL1SG 4 |  |
| 6        | 2   | Key                       | NØGLE2     |  | NØGLE2     |  | NØGLE2     |  | NØGLE2     |  | NØGLE2     |  |

## INTERNAL LIGHT



|    |   |                       |            |  |            |  |            |  |            |  |            |  |
|----|---|-----------------------|------------|--|------------|--|------------|--|------------|--|------------|--|
| 8  | 1 | LED LIGHTS            | LED6       |  | LED6       |  | LED7       |  | LED8       |  | LED9       |  |
| 9  | 1 | CLEAR LIGHT COVER     | P-PROFIL02 |  | P-PROFIL02 |  | P-PROFIL02 |  | P-PROFIL02 |  | P-PROFIL02 |  |
| 10 | 1 | POWER SUPPLY 115/230V | PSU3       |  | PSU3       |  | PSU3       |  | PSU3       |  | PSU3       |  |

**Lid and accessories for EL-LT and UNI box with solid lid:**



| ITEM NO. | PCS | DESCRIPTION            | MODEL 11           |  | MODEL 21             |  | MODEL 31             |  | MODEL 41             |  | MODEL 51             |  |
|----------|-----|------------------------|--------------------|--|----------------------|--|----------------------|--|----------------------|--|----------------------|--|
|          |     |                        | CODE               |  | CODE                 |  | CODE                 |  | CODE                 |  | CODE                 |  |
| 1        | 1   | Lid w/o hinges         | 8010.0100          |  | 8010.0200            |  | 8010.0302            |  | 8010.0402            |  | 8010.0502            |  |
| 2        | 1   | Hinge w/o spring       | -                  |  | -                    |  | Haeng 00             |  | Haeng 00             |  | Haeng 00             |  |
| 3        | 1   | Hinge set              | Haeng42<br>Haeng42 |  | Haeng 46<br>Haeng 46 |  | Haeng 46<br>Haeng 46 |  | Haeng 49<br>Haeng 49 |  | Haeng 49<br>Haeng 49 |  |
| 4        | 1   | Plastic grip with lock | EPCH               |  | EPCH                 |  | EPCH                 |  | EPCH                 |  | EPCH                 |  |

**Finanzen/Service**  
**28307 Bremen**  
Thalenhorststraße 15  
Tel.+49 421 48557-0  
Fax+49 421 488650  
bremen@nordcap.de

**Vertrieb Ost**  
**12681 Berlin**  
Wolfener Straße 32/34, Haus K  
Tel.+49 30 936684-0  
Fax+49 30 936684-44  
berlin@nordcap.de

**Vertrieb West**  
**40699 Erkrath**  
Max-Planck-Straße 30  
Tel.+49 211 540054-0  
Fax+49 211 540054-54  
erkrath@nordcap.de

**Vertrieb Nord**  
**21079 Hamburg**  
Großmoorbogen 5  
Tel.+49 40 766183-0  
Fax+49 40 770799  
hamburg@nordcap.de

**Vertrieb Süd**  
**55218 Ingelheim**  
Hermann-Bopp-Straße 4  
Tel.+49 6132 7101-0  
Fax+49 6132 7101-20  
ingelheim@nordcap.de



[www.nordcap.de](http://www.nordcap.de)