

Ersatzteilliste-Explosionszeichnung

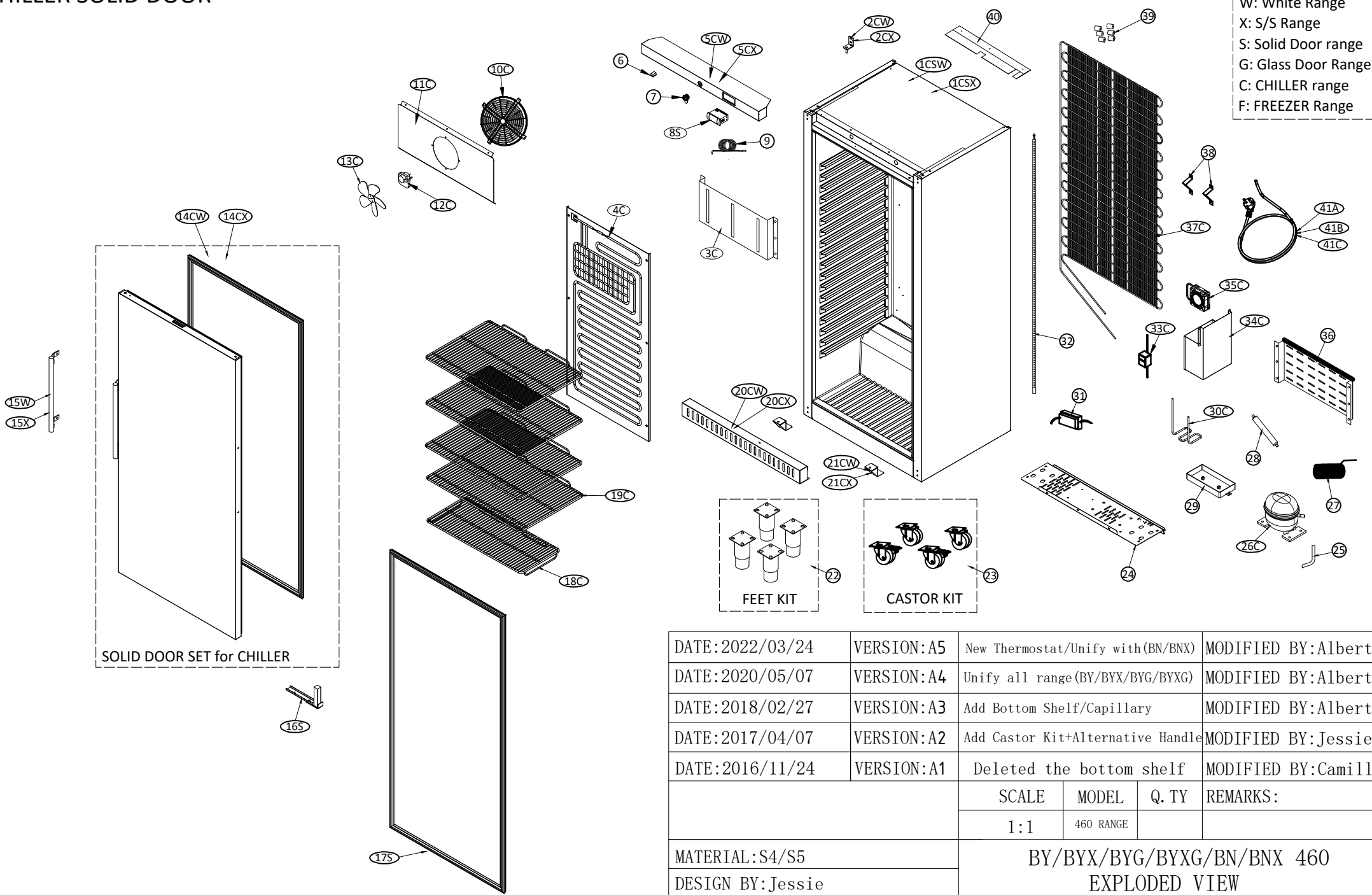
Backwarenkühlschrank **BKU 460**

[Art. 45110460]

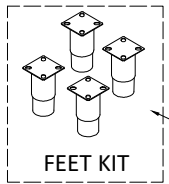


CHILLER SOLID DOOR

Legend:
 W: White Range
 X: S/S Range
 S: Solid Door range
 G: Glass Door Range
 C: CHILLER range
 F: FREEZER Range

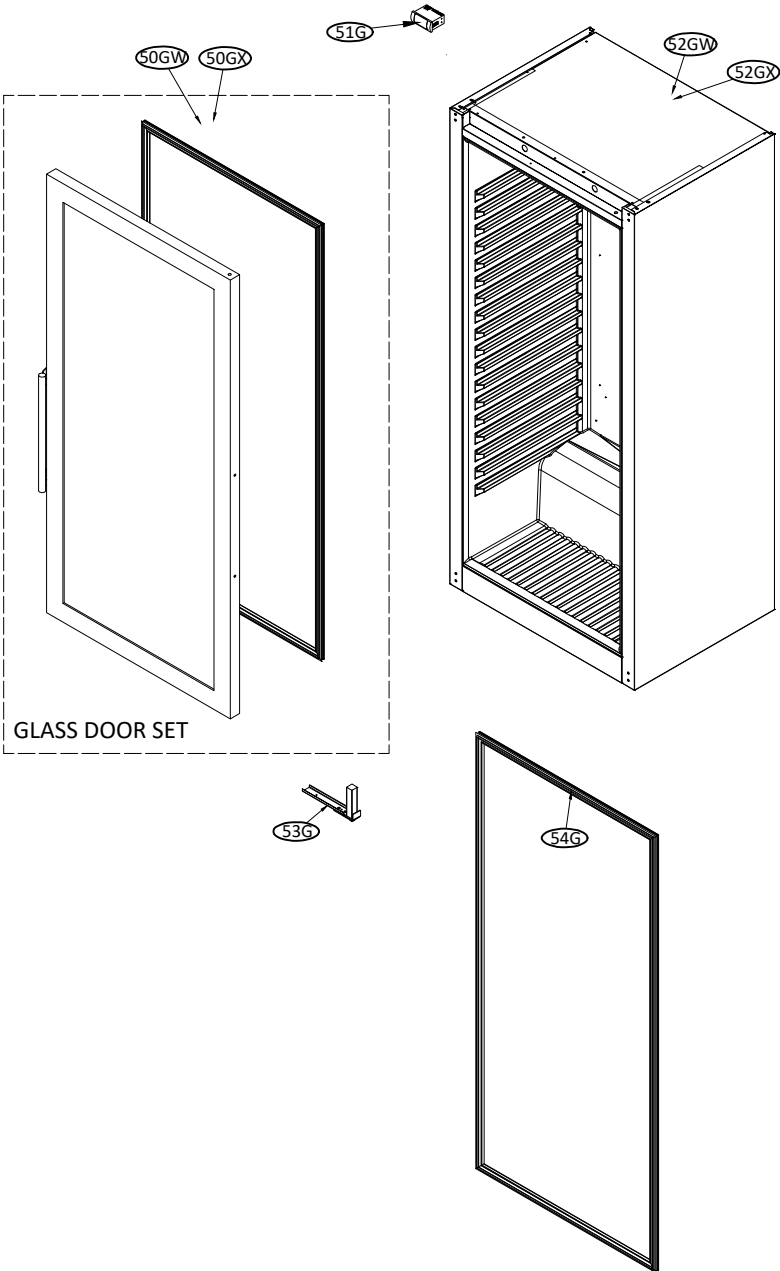


SOLID DOOR SET for CHILLER

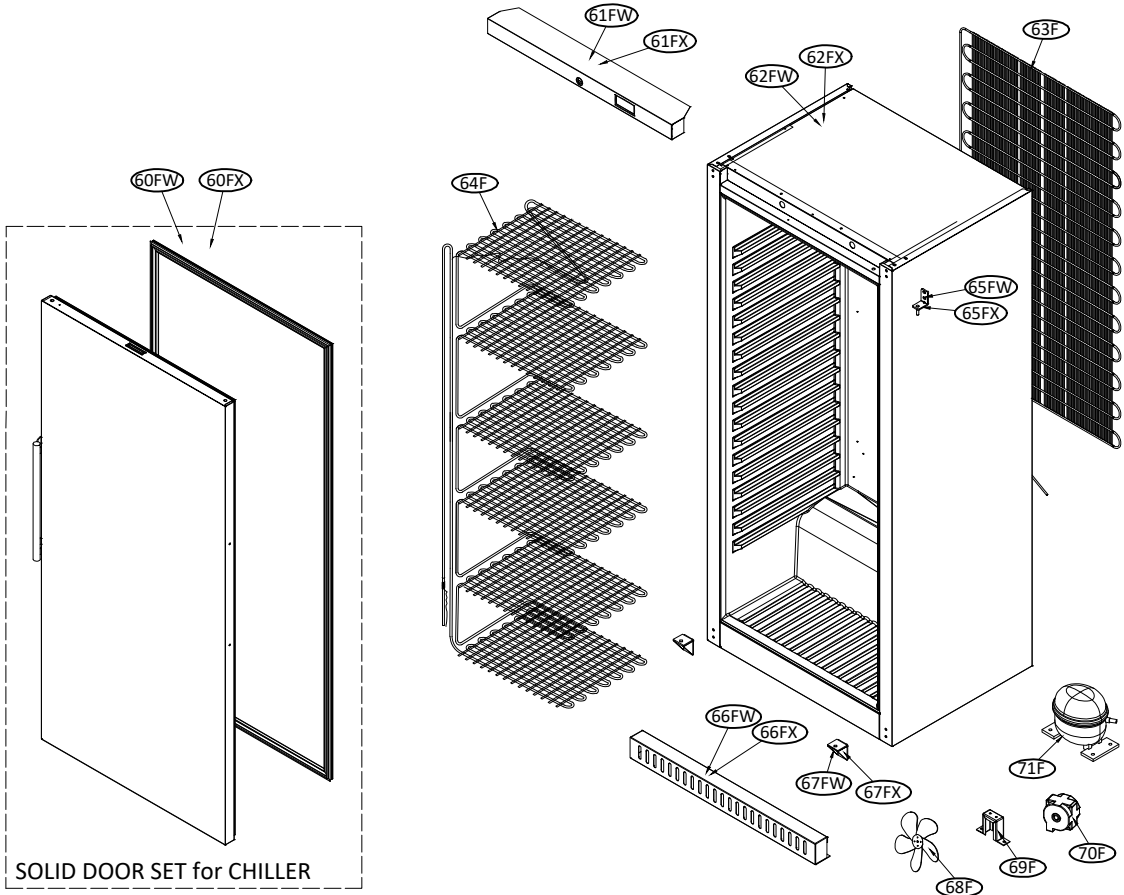


DATE: 2022/03/24	VERSION: A5	New Thermostat/Unify with (BN/BNX)	MODIFIED BY: Alberto		
DATE: 2020/05/07	VERSION: A4	Unify all range (BY/BYX/BYG/BYXG)	MODIFIED BY: Alberto		
DATE: 2018/02/27	VERSION: A3	Add Bottom Shelf/Capillary	MODIFIED BY: Alberto		
DATE: 2017/04/07	VERSION: A2	Add Castor Kit+Alternative Handle	MODIFIED BY: Jessie		
DATE: 2016/11/24	VERSION: A1	Deleted the bottom shelf	MODIFIED BY: Camilla		
		SCALE	MODEL	Q. TY	REMARKS:
		1:1	460 RANGE		
MATERIAL: S4/S5		BY/BYX/BYG/BYXG/BN/BNX 460			
DESIGN BY: Jessie		EXPLODED VIEW			
APPROVED BY: Alberto	CATEGORY	TYPE	GROUP	PART N°	
DATE: 2017/04/07	EV	1AN2	A5	1600	

CHILLER GLASS DOOR



FREEZER SOLID DOOR



DATE: 2022/03/24	VERSION: A5	New Thermostat/Unify with (BN/BNX)	MODIFIED BY: Alberto
DATE: 2020/05/07	VERSION: A4	Unify all range (BY/BYX/BYG/BYXG)	MODIFIED BY: Alberto
DATE: 2018/02/27	VERSION: A3	Add Bottom Shelf/Capillary	MODIFIED BY: Alberto
DATE: 2017/04/07	VERSION: A2	Add Castor Kit+Alternative Handle	MODIFIED BY: Jessie
DATE: 2016/11/24	VERSION: A1	Deleted the bottom shelf	MODIFIED BY: Camilla
	SCALE	MODEL	Q. TY
	1:1	460 RANGE	
MATERIAL: S4/S5	BY/BYX/BYG/BYXG/BN/BNX 460		
DESIGN BY: Jessie	EXPLODED VIEW		
APPROVED BY: Alberto	CATEGORY	TYPE	GROUP
DATE: 2017/04/07	EV	1AN2	A5
			PART N°
			1600

BOM Number 1
 Build Quantity 1
 Fixed Cost 0

BY 460

Lev. 0	Item Number	Descr	Quantity	u.m.
	EV1AN2A51600	BY/BYG/BN 460 Series - EXPLODED VIEW DRAW (Ver.A5 - S16)	1	pc
1CSW	S41AN20A0001	BY 460 - FOAMED ASSEMBLED BODY (SOLID Door-White Col.- S16)	1	pc
1CSX	S51AN40A0001	BYX 460 - FOAMED ASSEMBLED BODY (S/S Col.- S16)	1	pc
2CW	S41AN22A0004	BY/BYG 460 - RIGHT/UPPER HINGE for CHILLER (White Col.-S16)	1	pc
2CX	S11AN42A0003	BYX/BYXG 460 - RIGHT/UPPER HINGE for CHILLER(S/S Col.-S16)	1	pc
3C	S41AN20A0005	BY 460 - AIR CONVEYOUR EVAPORATOR FAN (White Col.-S16)	1	pc
4C	A01AN27A0002	BY 460 Ser.-ROOL BOND EVAPORATOR (Dim.1000x460 -Ver.A1-S16)	1	pc
5CW	S41AN21A0001	BY/BYG 460 - UPPER FRONT PANEL for CHILLER (White Col.-S16)	1	pc
5CX	S51AN41A0001	BYX/BYXG 460 - UPPER FRONT PANEL for CHILLER (S/S Col.-S16)	1	pc
6	E2306WH00001	HC-050K.4 FAN/LIGHT SWITCH (3P - WHITE) 250VAC-2.5A;	1	pc
7	Z01AN21A0003	BY/BN 460 Ser. - LOCK + N.2 KEYS FOR FRONT PANEL-(S16)	1	pc
8S	E20A141C2D00	XR02CX-5W1T1 "FLAT" DIXELL THERMOSTAT	1	pc
9	E212AA015B01	NTC PROBE - CABLE 1500 mm BLACK Color (Temperature)	1	pc
10C	P01AN20A0002	BY 460/SRK-SFK Ser. - INNER EVAP.FAN GRID (Diam.158mm - S16)	1	pc
11C	S51AN20A0003	BY 460 Ser. - EVAPORATOR FAN PLATE SUPPORT - (S16)	1	pc
12C	E17A1A100000	YZF6110B FAN: 220/240V ;50/60Hz; CABLE LENGHT 300mm	1	pc
13C	E181P1481501	FAN BLADE D.148mm-15*-PLASTIC (N°4 BLADES)	1	pc
14CW	S41AN22A0001	BY 460 - WHITE SOLID DOOR SET (Inc. Gasket+Self Closing-S16)	1	pc
14CX	S51AN42A0001	BYX 460 - S/S SOLID DOOR SET (Inc. Gasket+Self Closing-S16)	1	pc
15W	S41AN22A0003	BY/BYG/BN 460 - DOOR HANDLE (WHITE Color - S16)	1	pc
15X	A01AN22A0003	BYX/BYXG/BNX 460 - DOOR HANDLE (S/S Color - S16)	1	pc
16S	Z01AN22A0006	BY 460/688-QR/QN 3-4-6-12- SELF CLOSING SPRING (Solid-S16)	1	pc
17S	R01AN22A0002	BY/BN 460 Ser. - SOLID DOOR GASKET - (S16)	1	pc
18C	I01AN29A0002	BY 460 Ser. - BOTTOM SHELF (Dim.600x245x35mm - S16)	1	pc
19C	I01AN29A0001	BY 460 Ser. - SHELF UPPER/MIDDLE (Dim.600x408x31mm - S16)	4	pc
20CW	S41AN20A0004	BY/BYG 460 - BOTTOM LOUVER for CHILLER (White Col. - S16)	1	pc
20CX	S11AN40A0002	BYX/BYXG 460 - BOTTOM LOUVER for CHILLER(S/S Col. - S16)	1	pc
21CW	S41AN22A0007	BY/BYG 460 - RIGHT/LEFT BOTTOM HINGE for CHILLER (White-S16)	2	pc
21CX	S11AN42A0004	BYX/BYXG 460 - RIGHT/LEFT BOTTOM HINGE for CHILLER(S/S -S16)	2	pc
22	KITFT1AN2A00	BY/BN 460 Ser. - S/S FEET KIT (N.4 Adjustable feet - S16)	1	pc
23	KITCS1AN2A00	BY 460/688 Ser. - CASTOR KIT(N.2 BRAKE+N.2 STD/ H.135mm-S16)	1	pc
24	Z01AN23A0001	BY/BN 460 Ser. - ENGINE PLATE - (S16)	1	pc
25	C01AN26A0003	BY/BN 460 Ser. - CHARGE PIPE (D.6mm) - (S16)	1	pc
26C	E27B6B2Z0001	HXL170A COMP.ZEL/ACC R600a-220/240V 50Hz-1/8 HP-RSCR:	1	pc
27	C01AN26A0004	BY/BN 460 Ser. - CAPILLARY (L.2600mm/D.Int.0.7/Ext1.9mm-S16)	1	pc
28	C01AN26A0001	BY/BYG/BN 460 - DRIER FILTER Type A (15g - S16)	1	pc

29	Z01AN23A0002	BY 460 Ser. - WATER TRAY (Black Color)-(S16)	1	pc
30C	C01AN26A0002	BY 460 Ser. - EVAPORATION PIPE (D.6mm)-(S16)	1	pc
31	E26110120300	DSS28-1201500-B AC/DC ADAPTER	1	pc
32	E22AL1120150	LED STRIPES LAMP-12VDC 13W - (EAG-2835-1200)	1	pc
33C	E26B20120031	AC/DC ADAPTER MOD.HYD-1200300EU - (Male Connector)	1	pc
34C	Z01AN20A0005	BY 460 Ser. - CONDENSER FAN SUPPORT- (S16)	1	pc
35C	E1711A027000	RDM1225B:12Vdc,0,23A, 2,76W - Wire Lenght 300mm	1	pc
36	P01AN29A0003	BY 460 Ser.-REAR ENGINE ROOM SAFETY PANEL(CHILLER/Black-S16)	1	pc
37C	I01AN28A0001	BY 460 Ser. - REAR WIRE CONDENSER - (Chiller Range - S16)	1	pc
38	Z01AN29A0004	UPRIGHT CABINET Ser.- REAR BODY SPACER (Black - S16)	2	pc
39	R01AN28A0002	BY/BN 460 Ser. - SPACER FOR WIRE CONDENSER (D.25x20mm - S16)	6	pc
40	S41AN21A0002	BY/BN 460 Ser. - FRONT UPPER PANEL HOLDER - (S16)	1	pc
41A	E25EUB315300	POWER CORD 3x1,5 mmq - EU PLUG - BLACK COLOR 3 Mt	1	pc
41B	E25UKB315300	POWER CORD 3x1,5 mmq - UK PLUG - BLACK COLOR 3 Mt	1	pc
41C	E25AUB315300	POWER CORD 3x1,5 mmq - AUSTRALIAN PLUG - BLACK COLOR 3.0 Mt.	1	pc
50GW	S41AN32A0001	BYG 460 - WHITE GLASS DOOR SET (Inc.Gasket+Self Closing-S16)	1	pc
50GX	S51AN52A0001	BYXG 460 - S/S GLASS DOOR SET (Inc. Gasket+Self Closing-S16)	1	pc
51G	E20A143F2D00	XR06CX-5W1T1 "FLAT" DIXELL THERMOSTAT	1	pc
52GW	S41AN30A0001	BYG 460 - FOAMED ASSEMBLED BODY(GLASS Door-White Col.- S16)	1	pc
52GX	S51AN50A0001	BYXG 460 - FOAMED ASSEMBLED BODY(GLASS Door-S/S Col.- S16)	1	pc
53G	Z01AN32A0002	BYG/BYXG 460 - RIGHT SELF CLOSING SPRING (Glass Door - S16)	1	pc
54G	R01AN32A0003	BYG/BYXG 460 Ser. - GLASS DOOR GASKET - (S16)	1	pc
60FW	S41AN62A0001	BN 460 - FREEZER "WHITE" DOOR SET(Inc.Gasket+Self Clos.-S16)	1	pc
60FX	S51AN72A0001	BNX 460 - FREEZER "S/S" DOOR SET(Inc.Gasket+Self Clos.-S16)	1	pc
61FW	S41AN61A0001	BN 460 - UPPER FRONT PANEL for FREEZER (White Col.-S16)	1	pc
61FX	S51AN71A0001	BNX 460 - UPPER FRONT PANEL for FREEZER (S/S Col.-S16)	1	pc
62FW	S41AN60A0001	BN 460 - FOAMED ASSEMBLED BODY (White Color - S16)	1	pc
62FX	S41AN70A0001	BNX 460 - FOAMED ASSEMBLED BODY (S/S Color - S16)	1	pc
63F	I01AN68A0001	BN 460 Ser. - REAR WIRE CONDENSER - (Freezer Range - S16)	1	pc
64F	A01AN67A0001	BN 46/BNX 46-SHELVES EVAPORATOR (White color - S16)	1	pc
65FW	S41AN62A0002	BN 460 - RIGHT/UPPER HINGE for Freezer (White Col.-S16)	1	pc
65FX	S41AN72A0002	BNX 460 - RIGHT/UPPER HINGE for Freezer (S/S Col.-S16)	1	pc
66FW	S41AN61A0002	BN 460 - BOTTOM LOUVER for FREEZER (White Col.-S16)	1	pc
66FX	S51AN71A0002	BNX 460 - BOTTOM LOUVER for FREEZER (S/S Col.-S16)	1	pc
67FW	S41AN62A0003	BN 460 - RIGHT/LEFT BOTTOM HINGE for FREEZER(White Col.-S16)	2	pc
67FX	S41AN72A0003	BNX 460 - RIGHT/LEFT BOTTOM HINGE for FREEZER (S/S Col.-S16)	2	pc
68F	E181A1722801	EBMPAPTS FAN BLADE D.172mm-28*; 180 M3/h	1	pc
69F	Z01AN63A0001	BN 460/QR/QN 3 Ser. - SUPPORT FOR COMPRESSOR FAN (S16)	1	pc
70F	E17A1A020500	YZF8213 FAN: 220-240V, 50/60Hz, 0.8Kg	1	pc
71F	E27B2N1D0000	L76CU1 COMP.DONPER R290 - 220/240V 50Hz-1/2 HP RSIR:	1	pc

Finanzen/Service
28307 Bremen
Thalendorststraße 15
Tel.+49 421 48557-0
Fax+49 421 488650
bremen@nordcap.de

Vertrieb Ost
12681 Berlin
Wolfener Straße 32/34, Haus K
Tel.+49 30 936684-0
Fax+49 30 936684-44
berlin@nordcap.de

Vertrieb West
40699 Erkrath
Max-Planck-Straße 30
Tel.+49 211 540054-0
Fax+49 211 540054-54
erkrath@nordcap.de

Vertrieb Nord
21079 Hamburg
Großmoorbogen 5
Tel.+49 40 766183-0
Fax+49 40 770799
hamburg@nordcap.de

Vertrieb Süd
55218 Ingelheim
Hermann-Bopp-Straße 4
Tel.+49 6132 7101-0
Fax+49 6132 7101-20
ingelheim@nordcap.de



www.nordcap.de