

Ersatzteilliste-Explosionszeichnung Umluft-Gewerbekühlschrank **KU 1402 Comfort**

[Art. 402729120]



Thermoregulator
-2/0°C - 2M - full door

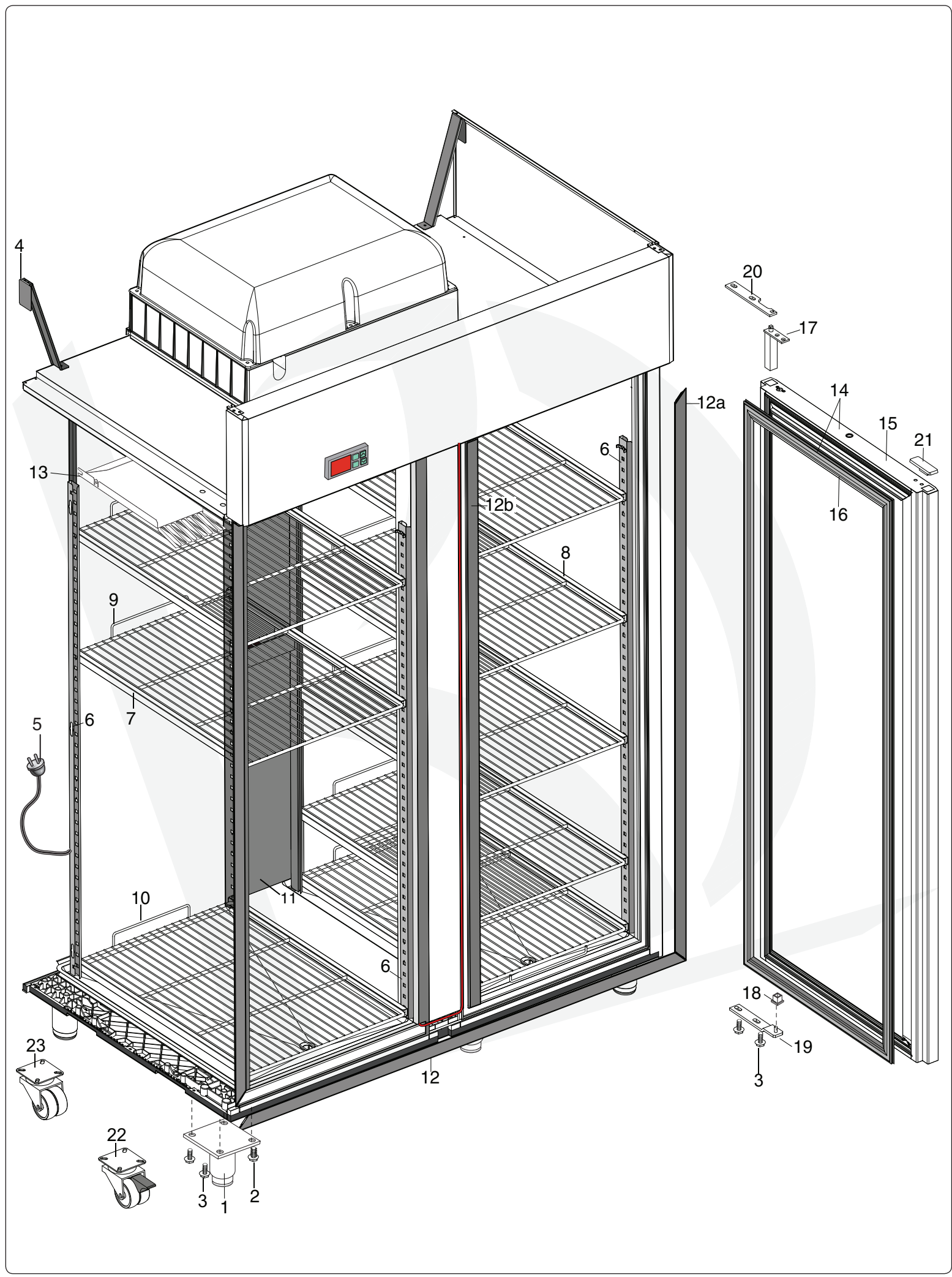
CABINETS MASS/GAB R290

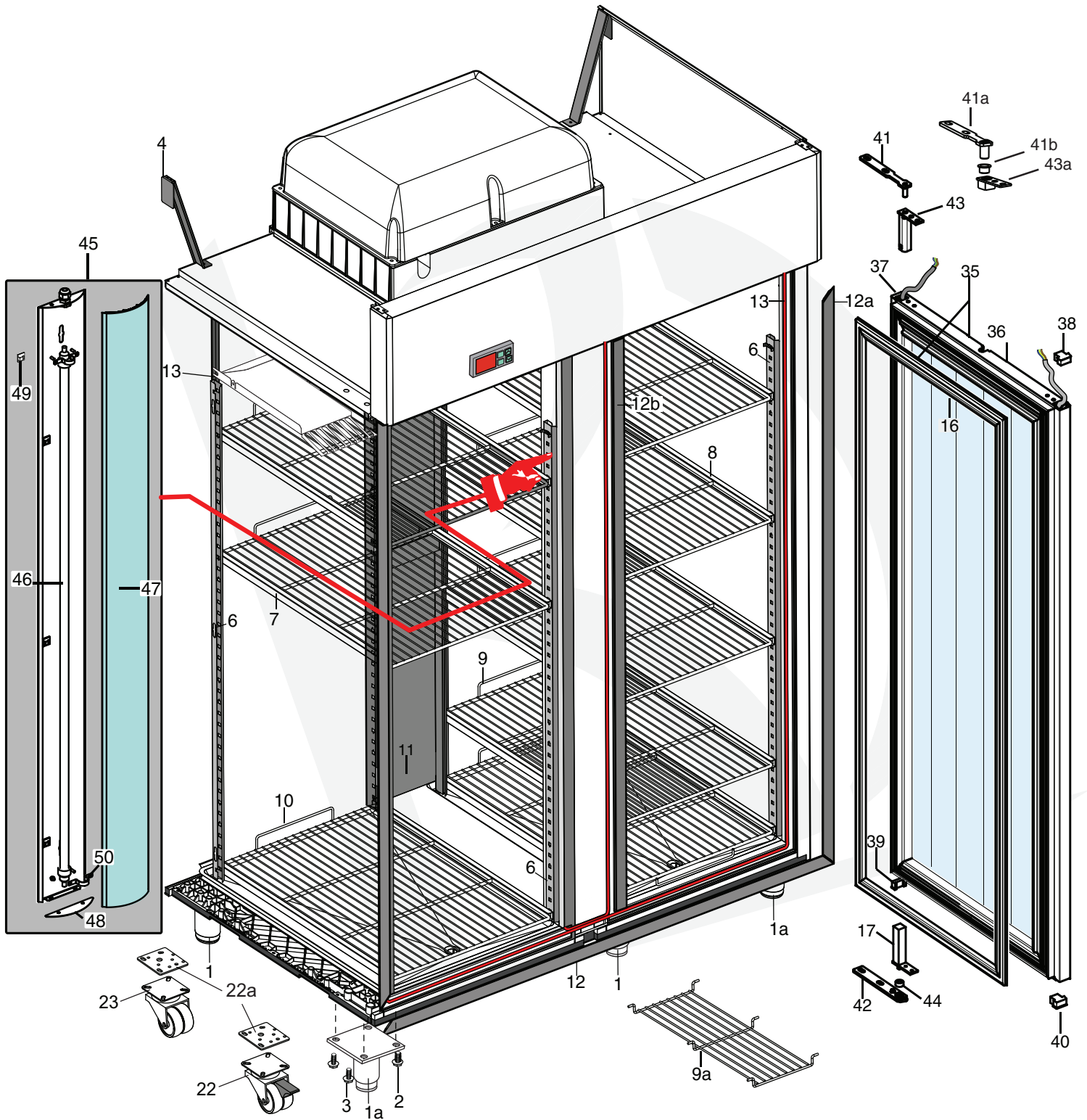
PNC	En.Ch	Model description	Brand	Ref	Pages
110361	00/00	2-DOOR REFR 1430L 0/+6°C,DIGITAL(R290)UK	Zanussi	f	2, 4, 5
110362	00/00	2-GL.DOOR REFR 1430L 2/10°C, DIG(R290)UK	Zanussi	g	3, 4, 5
110372	00/00	2-DOOR REFR 1430L 0/+6°C,DIG,S/S(R290)UK	Zanussi	h	2, 4, 5
110373	00/00	2-GL.DR REF 1430L +2+10°,DIG,S/S(R290)UK	Zanussi	i	3, 4, 5
110379	00/00	2-DOOR REFR.1430L -2/+10°C,DIG(R290)	Zanussi	l	2, 4, 5
110800	00/00	FV 2M PV GAB R290 ZAN +2+10°C A430 RUOTE	Zanussi	x	3, 4, 5
110839	00/00	2-GL.DOOR REFR 1430L 2/10°C, DIG(R290)UK	Zanussi	y	3, 4, 5
110859	01/01	2-DOOR GLASS DOOR REFRIG. 1430L +2/+10°C, DIGITAL-R290	Zanussi	x	3, 4, 5
110876	00/00	2-DOOR REFRIGERATOR 1430L -2/+10°C,DIGITAL WITH LIGHT-R290	Zanussi	a4	2, 4, 5
727400	00/03	FV 2M MASS R290 0°/+6° AISI 304 ELUX UK	To brand	a	2, 4, 5
727401	00/03	FV 2M PV MASS R290 +2°/+10° AISI 304 ELUX UK	To brand	c	3, 4, 5
727411	00/03	FV 2M GAB R290 0°/+6° AISI 430 ELUX UK	To brand	b	2, 4, 5
727412	00/03	FV 2M PV GAB R290 +2°/+10° AISI 430 ELUX UK	To brand	d	3, 4, 5
727466	25/25	FV 2M MASS R290 -2°/+10° HAKVOORT	To brand	e	2, 4, 5
727881	00/00	2-GLASS DOOR REFRIG 1430L +2+10°C, DIG. UK-R290	Electrolux	z	3, 4, 5
727882	00/00	2-GLASS DOOR REFRIG 1430L +2+10°,DIG. S/S UK-R290	Electrolux	a1	3, 4, 5
727960	01/01	2-GLASS DOOR REFRIG 1430L +2+10°C, DIGITAL-R290-UK	Electrolux	a2	3, 4, 5
727962	01/01	2-GLASS DOOR REFRIG 1430L +2+10°C, DIGITAL S/S R290-UK	Electrolux	a3	3, 4, 5
727994	01/01	2-DOOR REFRIGERATOR 1430L -2/+10°C,DIGITAL WITH LIGHT-R290	Electrolux	a4	2, 4, 5
728945	00/00	2-DOOR REFRIG.1430L -2/+10°C,DIG(R290)+WHEELS	Alpen	w	2, 4, 5
729102	00/00	2-DOOR REFR 1430L 0/+6°C,DIGITAL(R290)UK	Alpen	m	2, 4, 5
729103	00/00	2-GL.DOOR REFR 1430L 2/10°C, DIG(R290)UK	Alpen	n	3, 4, 5
729113	00/00	2-DOOR REFR 1430L 0/+6°C,DIG,S/S(R290)UK	Alpen	o	2, 4, 5
729114	00/00	2-GL.DR REF 1430L +2+10°,DIG,S/S(R290)UK	Alpen	p	3, 4, 5
729120	00/00	2-DOOR REFR.1430L -2/+10°C,DIG(R290)	Alpen	q	2, 4, 5
729320	00/00	2-DOOR REFR 1430L 0/+6°C,DIGITAL(R290)UK	To brand	r	2, 4, 5
729321	00/00	2-GL.DOOR REFR 1430L 2/10°C, DIG(R290)UK	To brand	s	3, 4, 5
729330	00/00	2-DOOR REFR 1430L 0/+6°C,DIG,S/S(R290)UK	To brand	t	2, 4, 5
729331	00/00	2-GL.DR REF 1430L +2+10°,DIG,S/S(R290)UK	To brand	u	3, 4, 5
729336	00/00	2-DOOR REFR.1430L -2/+10°C,DIG(R290)	To brand	v	2, 4, 5
729488	00/00	2-GL.DOOR REFR 1430L 2/10°C, DIG(R290)UK	Alpen	j	3, 4, 5
729489	00/00	2-GL.DR REF 1430L +2+10°,DIG,S/S(R290)UK	Alpen	k	3, 4, 5
729523	00/00	2-DOOR REFRIGERATOR 1430L -2/+10°C,DIGITAL WITH LIGHT-R290	Alpen	a4	2, 4, 5

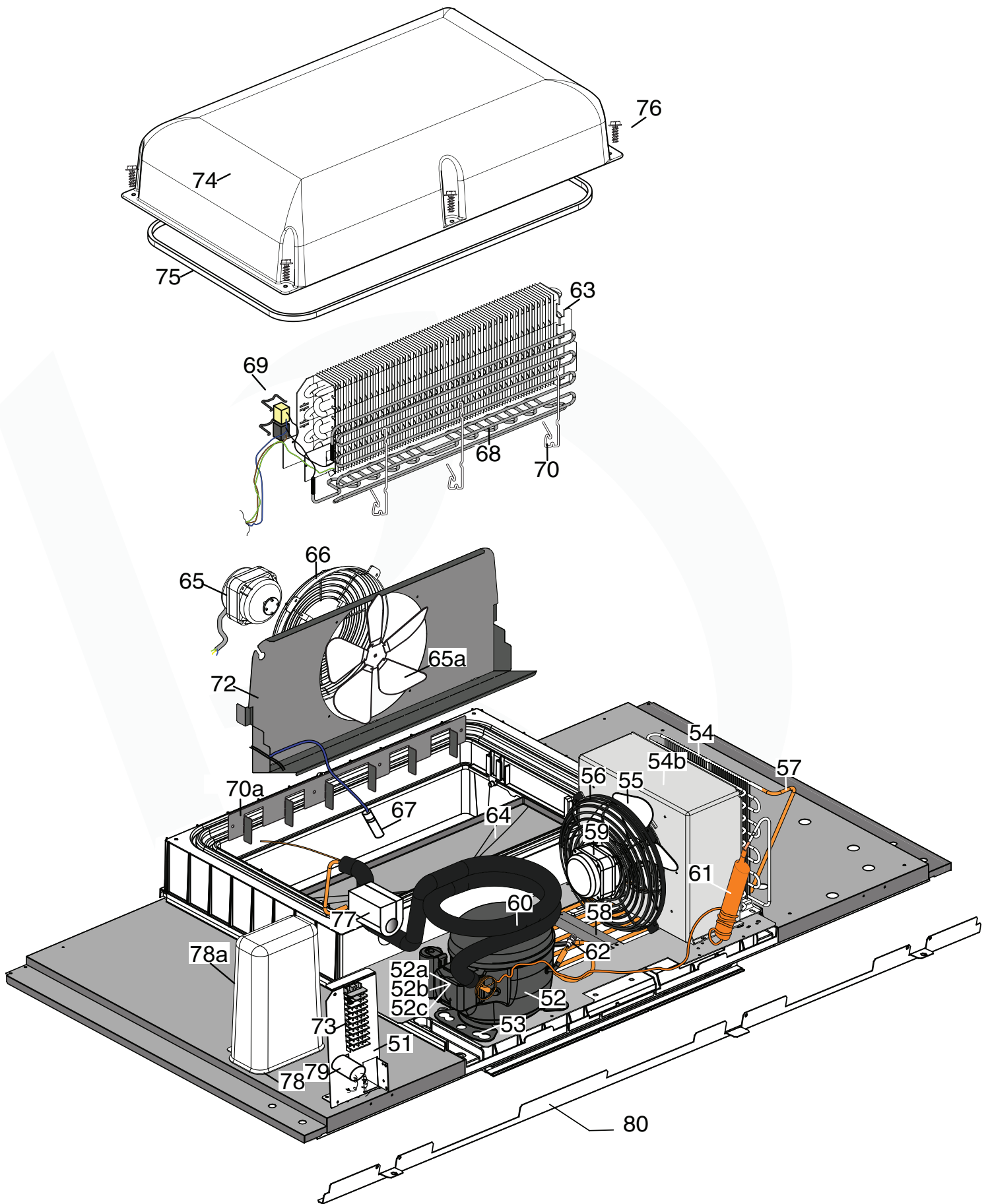
Note: per la corretta identificazione dei componenti, attenersi esclusivamente alle pagine indicate e alla lettera di riferimento.

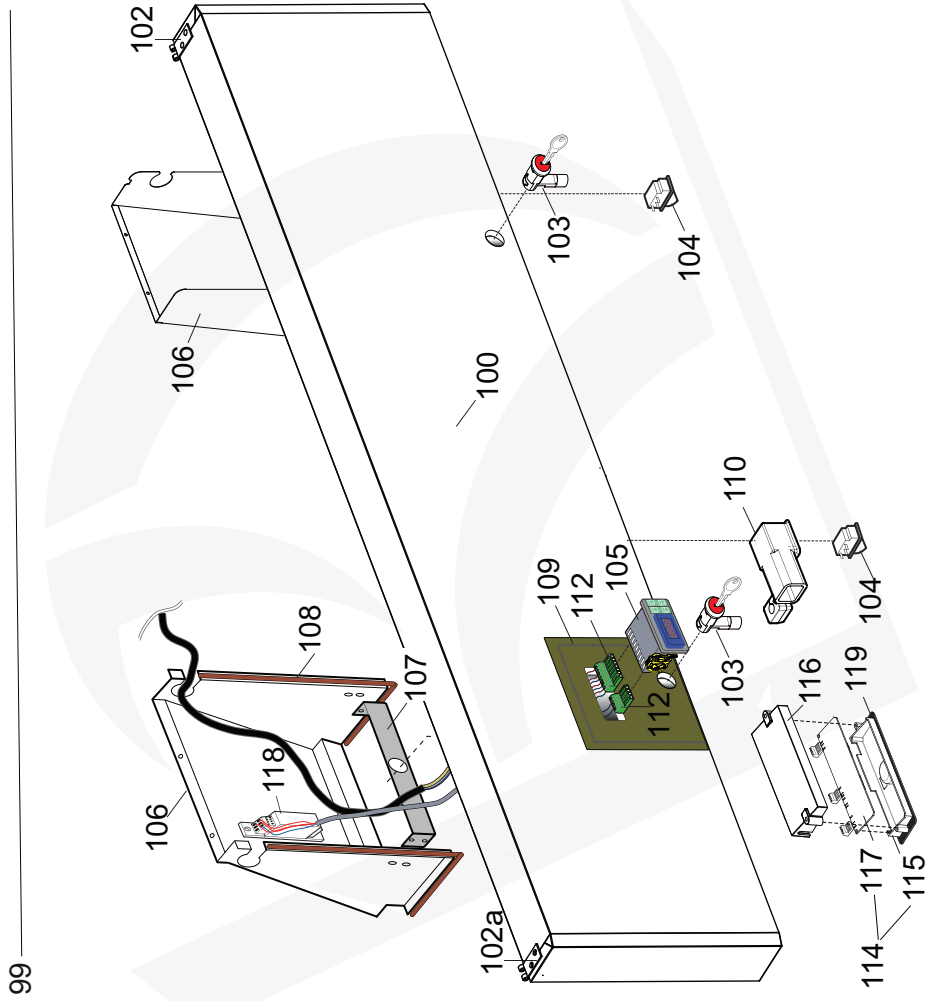
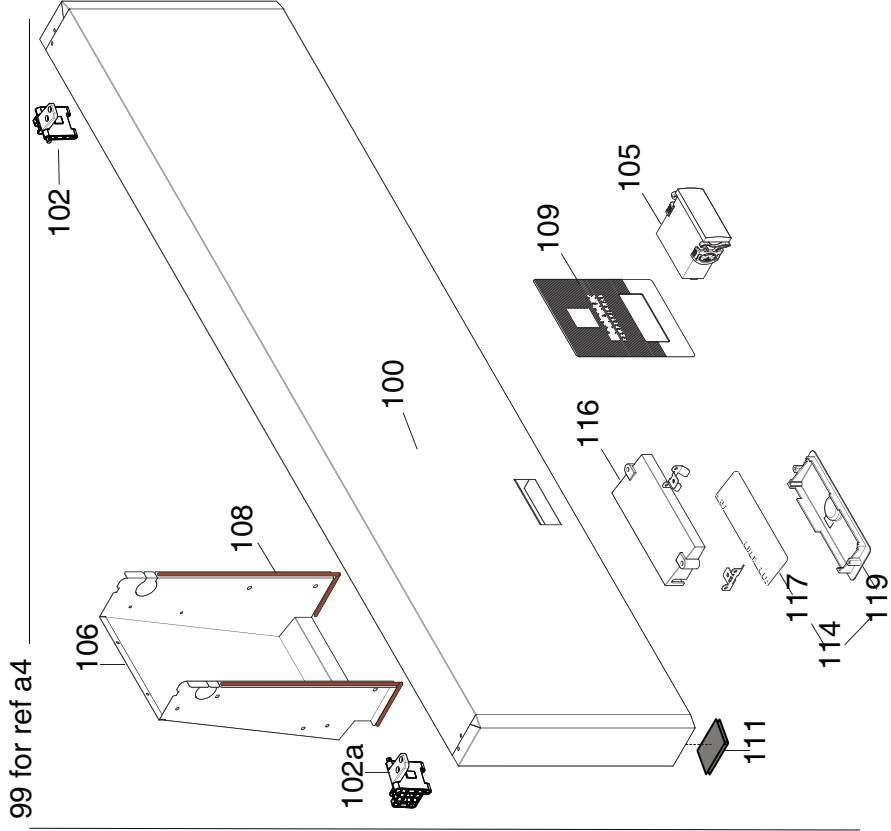
Note: for the correct identification of the components, follow the indicated pages and the reference letter.

Rev. 10	Pag.	Index	Indice
	2,3	Cabinet and door	Armadio e porta
	4	Cooling unit assembly	Gruppo refrigerante
	5	Control panel	Pannello comandi
	6,7	Spare parts list	Lista ricambi









Pos	Fact .Code	Code	Descrizione	Description	Ref, - Note
1	541R05001	093243	Piedino	Foot	e,l,q,v
1a	518R02600	093244	Piedino anteriore porta vetro	Back foot glass door	
2	217555204	093245	Vite per plastica per piedino	Screw (use by fix foot)	
3	518708601	093246	Vite M8x20 per fiss. staffa sup/inf	Screw M8X20 (use by fix bracket)	
4	502R17500	093394	Staffa supporto fianchi	Side support	
5	635R32300	095750	Cavo di alimentazione SCHUKO	SCHUKO supply cable	e,j,k,l,q,v,w,x,y, z,a1,a2,a3
6	501R38201	093249	Cremagliera anteriore/posteriore	Front/back Rack	
7	501R47900	093250	Guida Sx	Left support	
8	501R48100	093251	Guida Dx	Right support	
9	514R10600	093252	Griglia 2/1 rilsan	Grid 2/1rilsan	
9a	514R11700	093397	Griglia centrale	Central grid	
10	514R10600	093253	Griglia di fondo rilsan	Bottom grid rilsan	
11	501R62100	093490	Supporto centrale cremagliere	Rack support	
12	832R09202	093545	Cornice orrizzontale	Orrizzontal frame	
12a	832R09101	093255	Cornice verticale	Vertical frame	
12b	832R09401	093399	Cornice verticale montante	Vertical frame central support	
13	875R37500		Assieme carter interno	Internal protection assembly	
14	835R27008	093289	Porta con guarnizione, cerniera	Gasket, hinge, and door	a,e,f,l,m,q,r,v,w
14	835R27108	093290	Porta con guarnizione, cerniera A430	Gasket, hinge, and door A430	b,h,o,t
14	835R75700		Porta con guarnizione, cerniera	Gasket, hinge and door with light	a4
15	835R27407	093581	Porta 304	Door (left) for template A304	a,e,f,l,m,q,r,v,w
15	835R27507	096028	Porta 430	Door (left) for template A430	b,h,o,t
15	835R75600		Porta 304	Door (left) for template A304	a4
16	548R06802	093257	Guarnizione porta pv	Gasket glass door	glass door
16	548R08000	094152	Guarnizione porta pc/pv LED	Gasket full door and LED glass door	full door and
17	835704001	082219	Cerniera porta	Hinge door	
18	544700601	081654	Boccola per porta	Door bush	
19	833R21600	093341	Staffa inferiore porta	Lower stirrup door	
20	505723801	082257	Staffa superiore porta	Upper stirrup door	
21	541R05301	093271	Tappo per cerniere	Hole hinge plug	
22	835R24900	093575	Ruota rotante con freno	Brake wheel	a,b,c,d,f,g,h,i, j,k,m,n,o,p,r,s, t,u,x,y,z,a1,a2,a3
22	835739900	087110	Ruota rotante con freno	Brake wheel	w
22a	504R17300	096411	Piastra di sostegno	Support plate for wheels	a2,a3
23	835R24800	093574	Ruota rotante	Wheel	a,b,c,d,f,g,h,i,j, k,m,n,o,p,r,s,t, u,x,y,z,a1,a2,a3
23	835740000	087111	Ruota rotante	Wheel	w
35	880R57001	093736	Ass. porta vetro completa	Glass door assembled	
35	883R01401	*	Ass. porta vetro LED completa	LED Glass door assembled	a2,a3
36	879R15600	093274	Porta vetro tn	Glass door TN	
36	879R36600	096173	Porta vetro LED tn	LED Glass door TN	a2,a3
37	546R22400	093535	Tappo sup. dx pv	Upper right plug door GL	
38	546R22300	093536	Tappo sup. sx pv	Upper left plug door GL	
39	546R22500	093537	Tappo inf. dx pv	Lower right plug door GL	
40	546R22200	093538	Tappo inf. sx pv	Lower left plug door GL	
41	505R12700	093349	Staffa superiore pv	Upper hinge GL	
41a	505R21900	096180	Cerniera superiore pv LED	Upper hinge GL LED	a2,a3
41b	546R35300	096182	Boccola GFM-16-18-16	Bush GFM-16-18-16	a2,a3
42	833R21900	093301	Ass. staffa inf.(reversibile) pv	Lower bracket (reversible)	
43	835R28100	093320	Ass cerniera sup pv	Upper hinge GL	
43a	505R22000	096181	Ass cerniera sup pv LED	Upper hinge GL LED	a2,a3
44	546R23100	093517	Boccola per cerniera PV	Hinge bush GL	
45	880R60700	093303	Ass. lampada completo	Light support assembly	c,d
45	835R26801	094484	Ass. lampada completo	Light support assembly	Up to 2471... c,d,g,i,j,k,n, p,s,u,x,y,z,a1 From 2481...
46	661R01000	093350	Lampada 28W	Neon 28W	c,d,g,i,j,k,n, p,s,u,x,y,z,a1

Pos	Fact .Code	Code	Descrizione	Description	Ref. - Note
47	546R22600	093258	Frontale lampada	Protection light	c,d,g,i,j,k,n, p,s,u,x,y,z,a1
48	501R49500	093351	Tappo chiusura luce	Plug of clousure	c,d,g,i,j,k,n, p,s,u,x,y,z,a1
49	546R23200	093352	Ferma cavo	Wiring stopper	c,d,g,i,j,k,n, p,s,u,x,y,z,a1
50	501R50200	093321	Fermo lampada	Stopper light	c,d,g,i,j,k,n, p,s,u,x,y,z,a1
51	501R41501	093332	Supporto impianto elettrico	Electrical wiring support	
52	684R05900	093426	Compressore EMT6152U R290	Compressor EMT6152U R290	
52a	*		Relè avviamento	Start relay	
52b	*		Protettore	Protector	
52c	*		Condensatore di avviamento	Start capacitor	
53	518708401	087122	Fissaggio compressore	Rubber compressor	
54	830R06600	093431	Condensatore 5R D4,76	Condenser 4R D8	
54b	546R24200	*	Copertura condensatore	Condenser cover	
55	511708800	089697	Ventola 230-31 (elco)	Ventola 230-31(elco)	
56	546709500	089755	Protezione ventola	Fan protection	
57	515R12700	093259	Serpentina evap. acqua di conden.	Evaporation water pipe	
58	543R09300	093260	Fissaggio serpentina	Stopper pipe	
59	682R05300	093334	Ventilatore condensatore (elco)	Condenser ventialtor (elco)	
59	682R11500	095603	Ventilatore condens.(EBM NIQ3212)	Condenser ventialtor (EBM NIQ3212)	a2,a3
60	858R06700	*	Scambiatore 2m TN R290	Heat exchanger	a,b,c,d,f,g,h,i, j,k,m,n,o,p,r,s, t,u,x,y,z,a1,a2,a3
60	858R06400	093507	Scambiatore 2m TN R290	Heat exchanger	e,l,q,v,w
61	858R00100	099949	Filtro 15 gr	Dehidrator filter	
61	805769901	099629	Filtro 40 gr	Dehidrator filter	a2,a3
62	A02021800	0A8171	Valvola per compressore	Compressor valve (charge or disch.)	
63	830R04002	093335	Evaporatore 3R 8T	Evaporator 4R 8T	Up to 6441
63	830R10600	094576	Evaporatore 3R 8T	Evaporator 3R 8T	From 6451
63	830R04102	093430	Evaporatore 4R 8T	Evaporator 4R 8T	j,k,x,y,z,a1
64	546R19201	093469	Vaschetta evaporatore	Evaporator tray	
65	682R05300	093334	Ventilatore evaporatore	Evaporator fan (Fime)	Not for j,k,x,y,z,a1
65	682R08600	094477	Ventilatore evaporatore (EBM IQ3612)	Evaporator fan (EBM IQ3612)	j,k,x,y,z,a1
65	682R11500	095603	Ventilatore evap.(EBM NIQ3212)	Evaporator fan (EBM NIQ3212)	a2,a3
65a	511708800	089697	Ventola 230-31 ebm	Fan 230 -31 ebm	Not for j,k,x,y,z,a1,a2,a3
65a	511R01000	093365	Ventola 230-34 ebm	Fan 230 -34 ebm	j,k,x,y,z,a1,a2,a3
66	546709500	089755	Griglia ventilatore	Motor fan support	
67	646R06700	092173	Sonda cella	Cavity probe	
68	617R06001	093427	Resistenza con termost. 2-3R	Heating element with thermostat	e,l,q,v,w
69	514R11600	093487	Molla per fissaggio termostati	Thermostat spring	e,l,q,v,w
70	514R11100	093508	Molla per fissaggio resistenza	Heating element spring	e,l,q,v,w
70a	501R40700	093509	Deviatore aria	Air conveyor	
72	501R44101	093510	Convogliatore evaporat. pala 230	Evaporator conveyor	Up to 6441
72	501R44103	094429	Convogliatore evaporat. pala 230	Evaporator conveyor	From 6451
72	502R57901	094428	Convogliatore evaporat. pala 230	Evaporator conveyor	j,k,x,y,z,a1,a2,a3
73	639R09900	093528	Morsettiera	Clamp	
74	835R24101	093261	Assieme Calotta	Evaporator cover	Up to 6181
74	835R47601	*	Assieme Calotta	Evaporator cover	From 6191
75	14701R003	093262	Neoprene espa. 8x13,3 nero (M4)	Gasket cover (neoprene 8x13,3)	
76	217555204	093245	Vite senza punta x plastica	Cover screw	
77	546R19702	093263	Tamponcino per tubi	Pipe cover insulation	
78	546R26501	094425	Copertura scatola impianto elettrico	Wiring box cover	
78a	546R26701	093976	Scatola impianto elettrico	Wiring box	
79	694R00501	092257	Filtro antidisturbo	Electric filter	
80	501R49702	094617	Rivestimento ant. sup. AISI 304	Upper front covering AISI 304	
99	880R56810	*	Cruscotto con termoregolat.A304	Panel with termoregulator A304	a,f,m,r
99	880R56904	*	Cruscotto con termoregolat.A304	Panel with termoregulator A304	b,h,o,t
99	880R60908	*	Cruscotto con termor.. PV A304	Panel with termoregulator A304 GL	c,g,j,n,s,y,z
99	880R61008	*	Cruscotto con termor.. PV A430	Panel with termoregulator A430 GL	d,i,k,p,u,x,a1
99	880R51210	*	Cruscotto con termor.	Panel with termoregulator	e,l,q,v,w
99	883R02801	*	Cruscotto con termor.. PV LED A304	Panel with termoregulator A304 GL LED	a2

Pos	Fact .Code	Code	Descrizione	Description	Ref, - Note
99	883R03201	*	Cruscotto con termor.. PV LED A430	Panel with termoregulator A430 GL LED	a3
99	883R27701	*	Cruscotto con termor. con luce	Panel with termoregulator with light	a4
100	509R13003	093569	Cruscotto A304	Panel 304 AISI	a,c,e up to 29/2013
100	509R13004	095827	Cruscotto A304	Panel 304 AISI	a,c,e,f,g,j,l,m, n,q,r,s,v,w,y,z from 30/2013
100	509R13103	093570	Cruscotto A430	Panel 430 AISI	b,d up to 29/2013
100	509R13104	094436	Cruscotto A430	Panel 430 AISI	b,d,h,i,k,o,p,t,u, x,a1 from 30/2013
100	509R25200	096189	Cruscotto A304	Panel 304 AISI	a2
100	509R25300	096190	Cruscotto A430	Panel 430 AISI	a3
100	509R25700	*	Cruscotto A304	Panel 304 AISI	a4
102	832R10100	093609	Cerniera per cruscotto dx	Hinge for panel	
102a	832R10200	093610	Cerniera per cruscotto sx	Hinge for panel	
103	833R20900	093345	Serratura	Lock	
103	833R21100	093433	Serratura	Lock	a4
104	640712100	087485	Micro porta	Door switch	x,a2,a3
104	640R02100	094035	Micro porta	Door switch	Not for a4
105	646R10801	093328	Termoregolatore ir33 gab/mass	Thermoregulator Gab/Mass	a,b,e up to 23/2012
105	646R10803	093532	Termoregolatore ir33 IMEL1J0545	Thermoregulator IMEL1J0545	a,b,e,f,h,l,m, o,q,r,t,v,w from 24/2014
105	646R11000	093329	Termoregolatore ir33 gab/mass PV	Thermoregulator Gab/Mass GL	c,d,g,i,j,k,n,p,s,u, x,y,z,a1,a2,a3
105	646R11101	093434	Termoregolatore ir33 IMEL1J0548	Thermoregulator IMEL1J0548	a4
106	501R37403	094389	Protezione	Protection led-lamp	
107	501R37502	093354	Staffa fiss. protez.termoregolatore	Bracket support	
107	504R24400		Staffa fiss. protez.termoregolatore	Bracket support	a4
108	140088006	0L0113	Guarnizione	Guarnizione	
109	755R03901	093268	Membrana adesiva	Stiker	Up to 7381
109	598R81500	095022	Membrana adesiva Zanussi	Zanussi sticker	For Zanussi products
109	598R81601	095023	Membrana adesiva Electrolux	Electrolux sticker	From 7391 for To brand products
109	598R81700	095024	Membrana adesiva Alpen	Alpen sticker	For Alpen products
109	598R98500		Membrana adesiva Electrolux	Electrolux sticker	a4 - Electrolux
109	598R99100		Membrana adesiva Zanussi	Zanussi sticker	a4 - Zanussi
109	598R99200		Membrana adesiva Alpen	Alpen sticker	a4 - Alpen
110	546R12100	092353	Protezione micro	Door switch protection	Not for a4
112	639R06800	*	Connettore dritto 3 vie	Connector 3 ways right	
112	639R06900	*	Connettore dritto 7 vie	Connector 7 ways right	
112		099740	Connettore 90° 7 vie	Connector 7 ways 90°	
112		099741	Connettore 90° 5 vie	Connector 5 ways 90°	
112		088998	Connettore 90° 3 vie	Connector 3 ways 90°	
112		099743	Connettore 90° 3 vie piccolo	Connector 3 ways 90° small	
112		099742	Connettore 90° 2 vie	Connector 2 ways 90°	
112		091682	Connettore 90° 4 vie	Connector 4 ways 90°	
112		091684	Connettore 90° 5 vie	Connector 5 ways 90°	
114	855R12801	093809	Led +supporto	Led-lamp + support	a4
115	546R19501	093386	Supporto scheda led	Support led-lamp	a4
116	546R19601	093387	Protezione scheda led	Protection led-lamp	a4
117	648R05001	093389	Scheda led	Led-lamp board	a4
*	639R09600	093180	Convertitore spina UK	UK plug converter	
118	624R01400	093270	Alimentatore PV	Light power GL	c,d,g,i,j,k,n, p,s,u,x,y,z,a1
118	648R11300	096179	Alimentatore PV LED	Light power GL LED	a2,a3
119	569R05900	093390	Guarnizione per scheda led	Ledlamp board gasket	a4



NordCap GmbH & Co. KG
Thalendorststraße 15
28307 Bremen
Hauptsitz (Service, Finanzen & Personal, Lager, IT, Marketing)

Telefon: +49 421 48557-0
Telefax: +49 421 488650
E-Mail: bremen@nordcap.de

Die NordCap Verkaufsniederlassungen in Deutschland:

Nord: Hamburg • Ost: Berlin • Süd: Ingelheim • West: Erkrath



ALPENINOX