

Ersatzteilliste-Explosionszeichnung

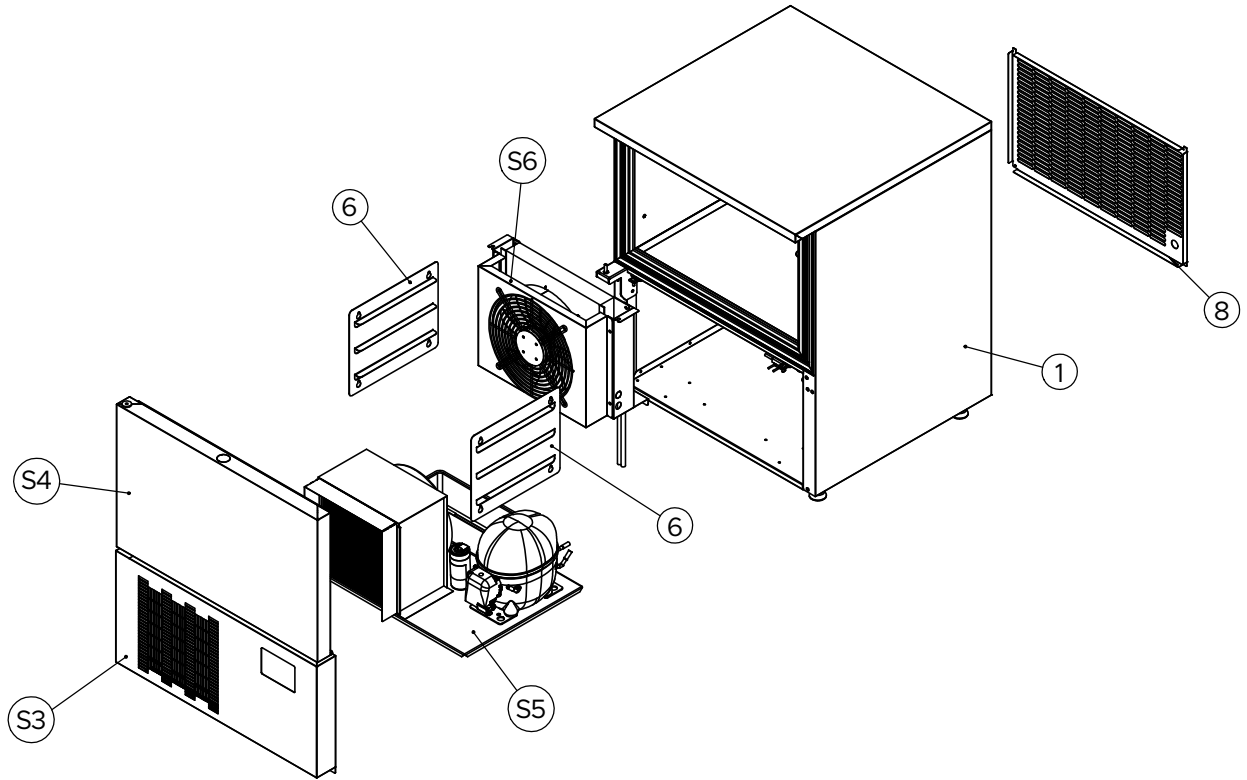
COOL-LINE-Schnellkühler/ Schockfroster **SKF 5 GN ENTRY**

[Art. 433100001]



ENTRY 5

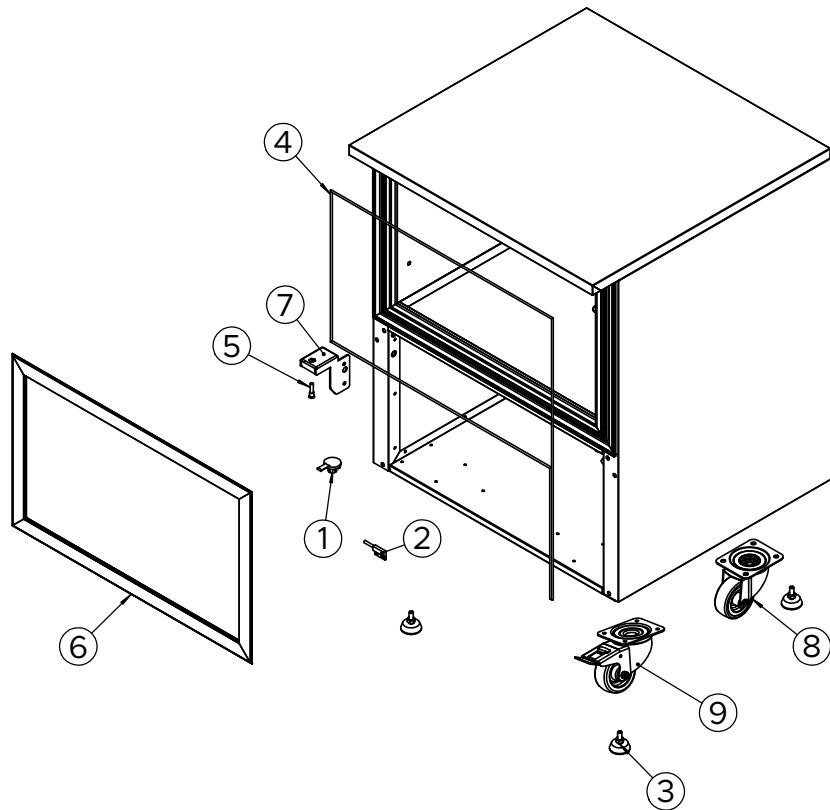
General Subassembly



General Subassembly components list

Position	Spare Part Code	Description
1	R451400008	Body
6	R150700012	Trays support
8	R150300007	Back panel

ENTRY 5
Body Subassembly

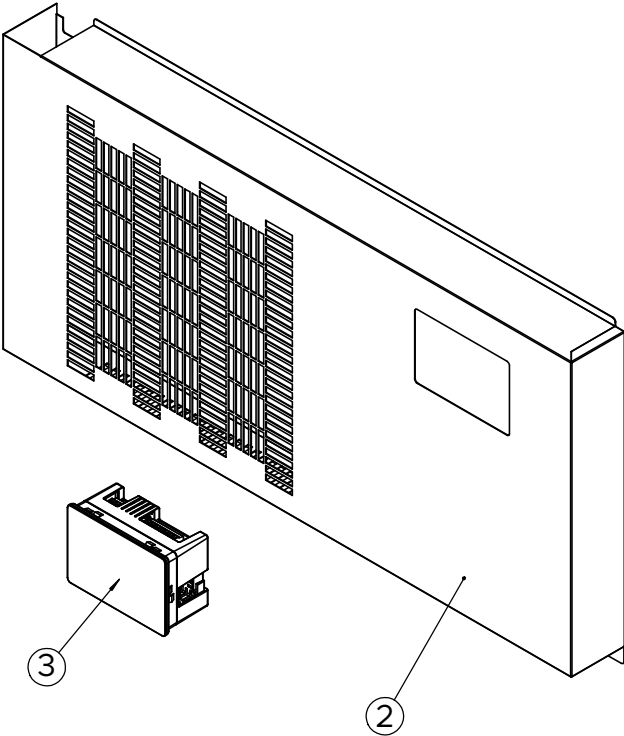


Body components list

Position	Spare Part Code	Description
1	R230100001	Cap for drain hole
2	R211700004	Magnetic sensor short
3	R230500002	Adjustable foot d.40xm8
4	R210200008	Door Heater
5	R150700008	Lower hinge pin
6	R400100004	Frame kit
7	R150700009	Lower hinge
8	R230500003	Wheel without brake
9	R230500004	Wheel with brake

ENTRY 5

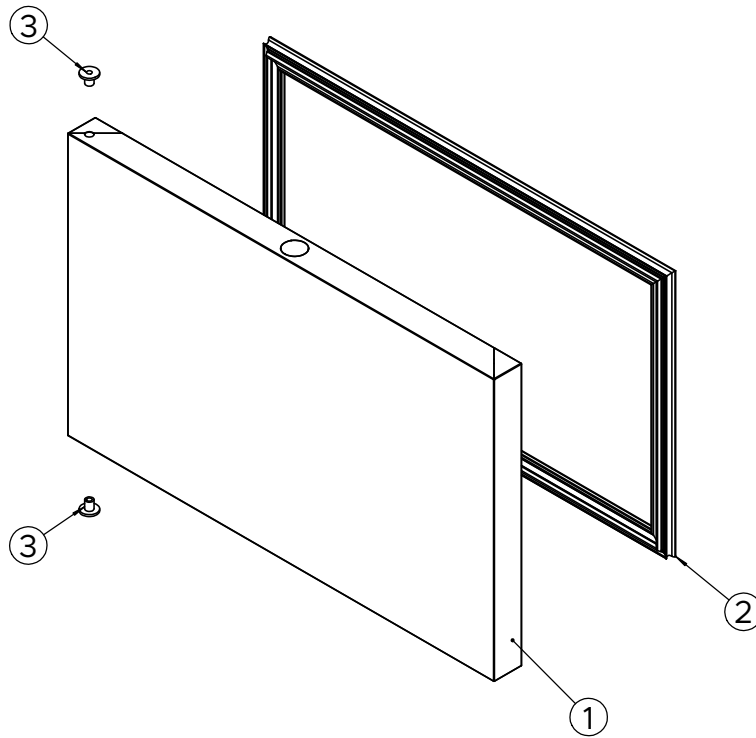
Front Panel Subassembly



Front panel components list		
Position	Spare Part Code	Description
2	R150300011	Front panel
3	R240200003	Controller EVJ805

ENTRY 5

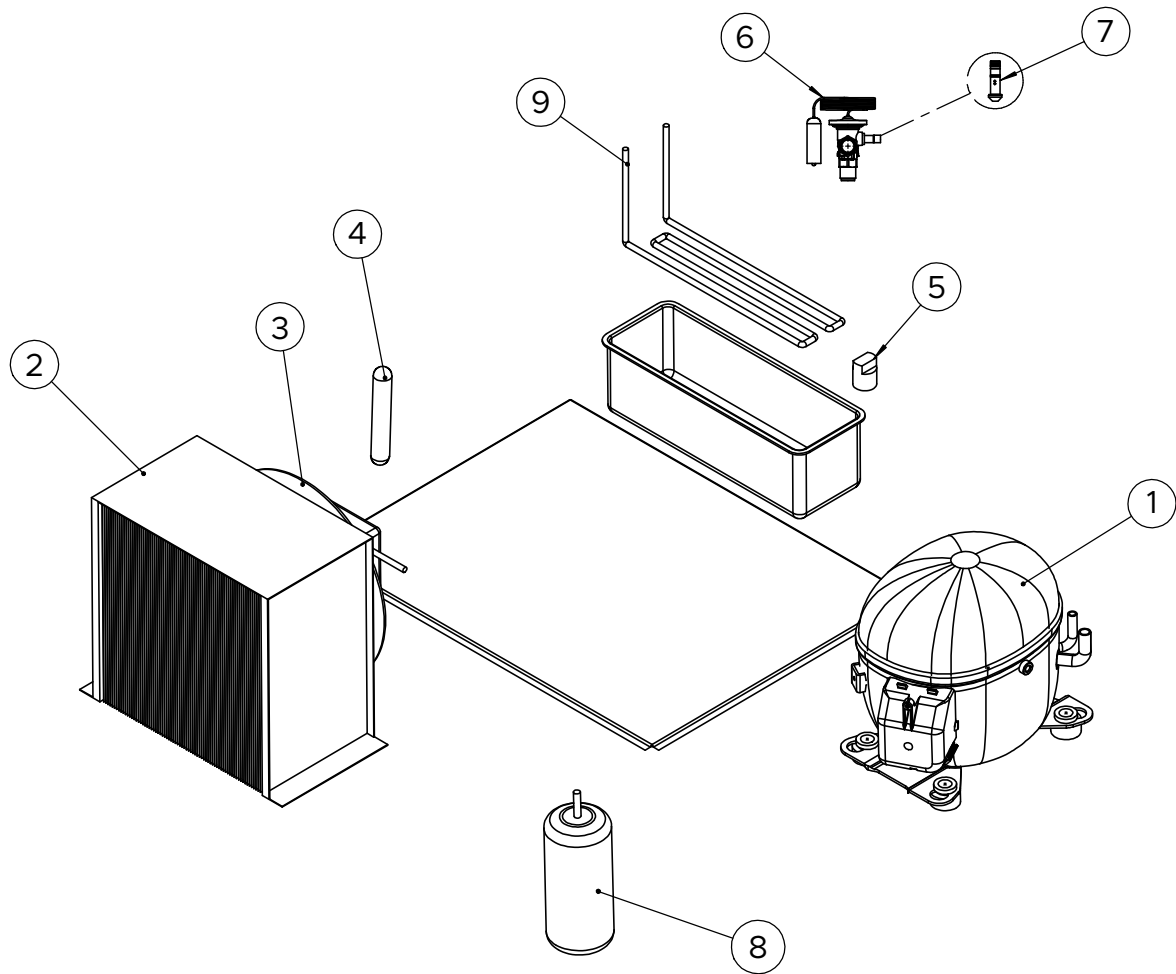
Door Subassembly



Door components list		
Position	Spare Part Code	Description
1	R451400003	Door
2	R250300006	Door gasket
3	R250200001	Brass bushing

ENTRY 5

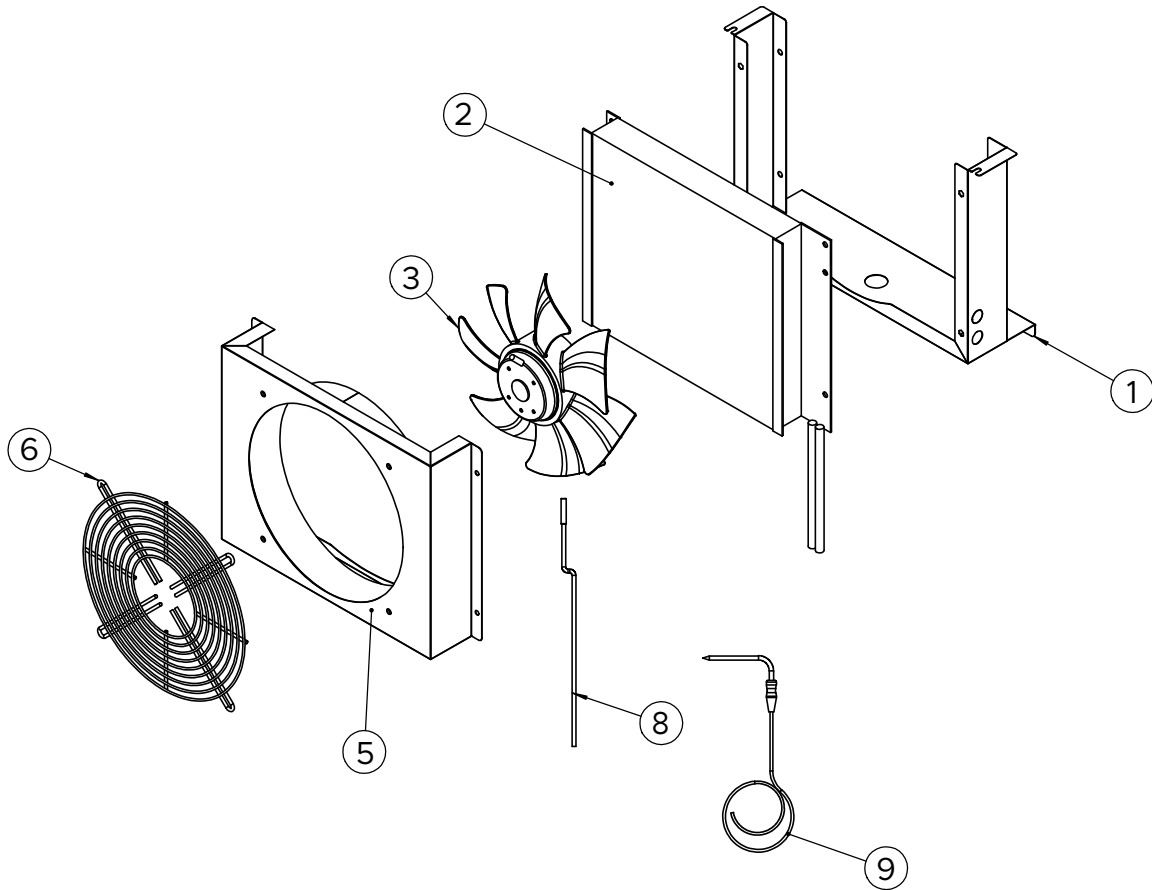
Condensed Unit Subassembly



Condensed unit components list		
Position	Spare Part Code	Description
1	R221000004	Compressor NEU2178GK
2	R220400004	Condenser
3	R210100006	Condenser fan
4	R220600004	Filter
5	R221200001	High pressure switch
6	R220300002	Sanhua thermostatic valve OR2
6	R220300003	Castel thermostatic valve 2230/M12S
7	R220300010	Castel Orifice 00
8	R220500002	Liquid receiver
9	R220500005	Hot gas pipe

ENTRY 5

Fan & Evaporator Support Subassembly



Fan & Evaporator Support components list

Position	Spare Part Code	Description
1	R150400004	Evaporator support
2	R220200005	Evaporator
3	R210100010	Fan
5	R150400009	Fan support
8	R240100006	Cell/Evap probe PTC
9	R240100007	Core probe PTC

NordCap GmbH & Co. KG
Thalendorststraße 15
28307 Bremen
Hauptsitz (Service, Finanzen & Personal, Lager, IT, Marketing)

Telefon: +49 421 48557-0
Telefax: +49 421 488650
E-Mail: bremen@nordcap.de

Die NordCap Verkaufsniederlassungen in Deutschland:

Nord: Hamburg • Ost: Berlin • Süd: Ingelheim • West: Erkrath

