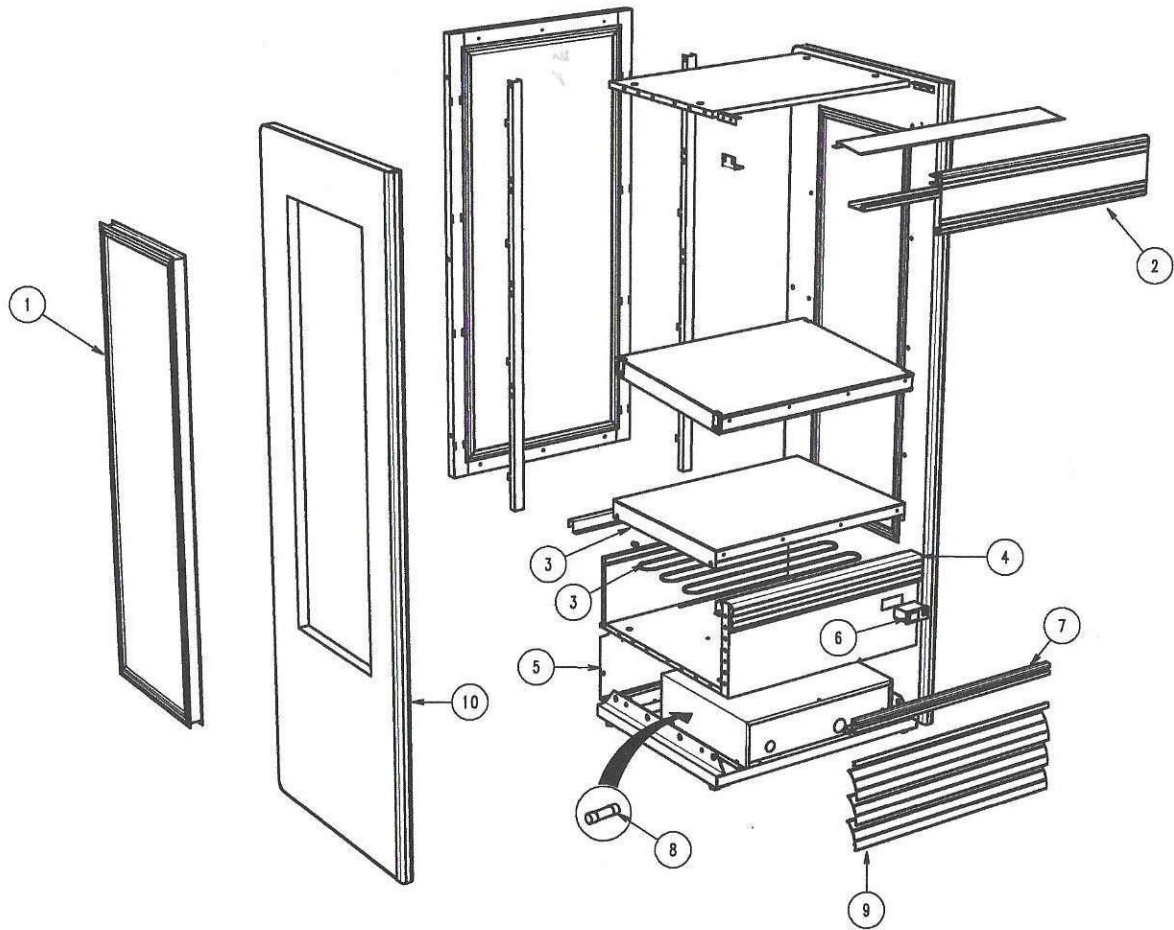


Ersatzteilliste-Explosionszeichnung

Serie Wärmeregale **SCARLET SLIM**



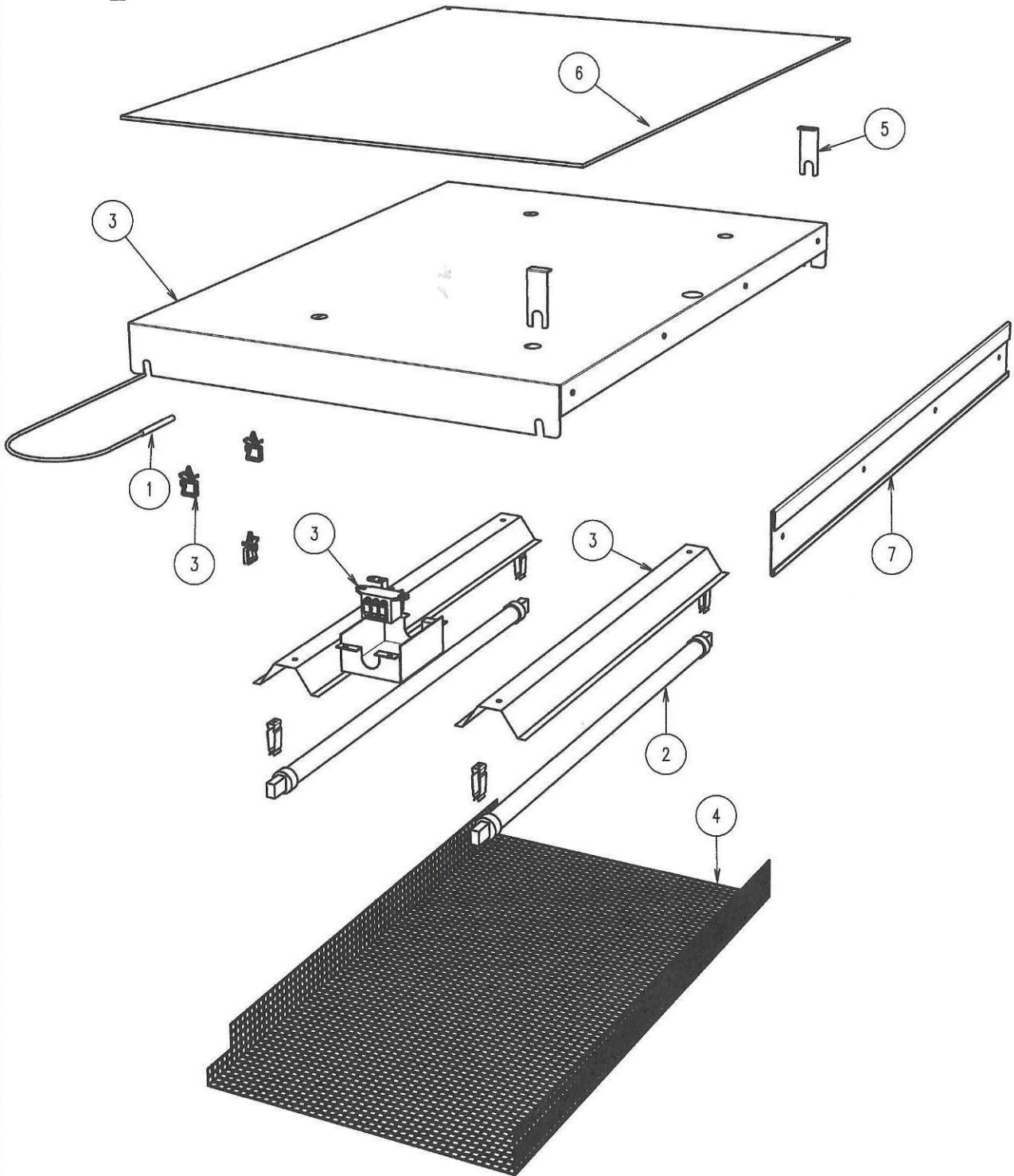
S



Indice	Data	Approvato	Descrizione Modifica
Materiale:		Tratt. sup.:	
Modello: SCARLET		Data : 18/03/2019 Disegnatore : enrico	
Descrizione:		Scala 1:1	Numero disegno Indice I-Mod

	CABINET	
1	90050083900	COMPLETE PANORAMIC END GLASS (WITH TRIMS)
2	90050105700	ISOLATED UPPER FRONT M071 SCARLET
2	90050105800	ISOLATED UPPER FRONT M100 SCARLET
2	90050105900	ISOLATED UPPER FRONT M120 SCARLET
2	90050110000	ISOLATED UPPER FRONT RAL M071 SCARLET
2	90050110100	ISOLATED UPPER FRONT RAL M100 SCARLET
2	90050110200	ISOLATED UPPER FRONT RAL M120 SCARLET
3	90050105400	BASE SHELF WITH HEATER M071 SCARLET
3	90050105500	BASE SHELF WITH HEATER M100 SCARLET
3	90050105600	BASE SHELF WITH HEATER M120 SCARLET
3	90050109200	BASE SHELF WITH HEATER M071 SCARLET
3	90050109300	BASE SHELF WITH HEATER M100 SCARLET
3	90050109400	BASE SHELF WITH HEATER M120 SCARLET
3	90050109500	BASE SHELF WITH HEATER M071 SCARLET
3	90050109600	BASE SHELF WITH HEATER M100 SCARLET
3	90050109700	BASE SHELF WITH HEATER M120 SCARLET
4	90050069900	PVC DARK GREY BUMPER M071
4	90050070000	PVC DARK GREY BUMPER M100
4	90050070100	PVC DARK GREY BUMPER M120
4	90050069100	PVC GREY BUMPER M071
4	90050069200	PVC GREY BUMPER M100
4	90050069300	PVC GREY BUMPER M120
4	90050068300	PVC BLACK BUMPER M071
4	90050068400	PVC BLACK BUMPER M100
4	90050068500	PVC BLACK BUMPER M120
5	90050105100	COMPLETE BACK PROTECTION M071 SCARLET
5	90050105200	COMPLETE BACK PROTECTION DI FISSAGGIO M100 SCARLET
5	90050105300	COMPLETE BACK PROTECTIONDI FISSAGGIO M120 SCARLET
6	90050104900	ELECTRONIC CONTROLLER SCARLET EP3K02X2EC
7	90050070700	LOWER FRONT GRILLE SUPPORT WITH GREY INNER TRIM M071
7	90050070800	LOWER FRONT GRILLE SUPPORT WITH GREY INNER TRIM M100
7	90050070900	LOWER FRONT GRILLE SUPPORT WITH GREY INNER TRIM M120
7	90050097400	LOWER FRONT GRILLE SUPPORT WITH INNER TRIM M071 RAL
7	90050097500	LOWER FRONT GRILLE SUPPORT WITH INNER TRIM M100 RAL
7	90050097600	LOWER FRONT GRILLE SUPPORT WITH INNER TRIM M120 RAL
8	90050106000	FUSE 12A (SCARLET 71)
8	90050106100	FUSE 16A (SCARLET 100)
8	90050106200	FUSE 20A (SCARLET 120)
9	90050072000	LOWER FRONT GRILLE M071 VBN
9	90050072100	LOWER FRONT GRILLE M100 VBN
9	90050072200	LOWER FRONT GRILLE M120 VBN
9	90050073000	LOWER FRONT GRILLE M071 VBN - RAL
9	90050073100	LOWER FRONT GRILLE M100 VBN - RAL
9	90050073200	LOWER FRONT GRILLE M120 VBN - RAL
10	90050049900	COMPLETE END PANEL TRIM CLIPPER VBN
10	90050051400	COMPLETE END PANEL TRIM (RAL COLOR) CLIPPER VBN

T



Indice	Data	Approvato	Descrizione Modifica	
Materiale:		Tratt. sup.:		
Modello: SCARLET				
Descrizione: SHELF				
Data : 18/03/2019			Disegnatore : enrico	
Scala	Numero disegno		Indice	
1:1			I-Mod	

	SHELF	
1	90050106300	TEMPERATURE PROBE SCARLET
2	90050106400	HALOGEN LAMP SCARLET M71
2	90050106500	HALOGEN LAMP SCARLET M100
2	90050106600	HALOGEN LAMP SCARLET M120
3	90050107700	SHELF FOR SCARLET, WHITE M71
3	90050108400	SHELF FOR SCARLET, WHITE M100
3	90050108500	SHELF FOR SCARLET, WHITE M120
3	90050108600	SHELF FOR SCARLET, RAL M71
3	90050108700	SHELF FOR SCARLET, RAL M100
3	90050108800	SHELF FOR SCARLET, RAL M120
3	90050108900	SHELF FOR SCARLET, S.S. M71
3	90050109000	SHELF FOR SCARLET, S.S. M100
3	90050109100	SHELF FOR SCARLET, S.S. M120
4	90050107800	LAMP PROTECTION GRILLE, WHITE M71
4	90050107900	LAMP PROTECTION GRILLE, WHITE M100
4	90050108000	LAMP PROTECTION GRILLE, WHITE M120
4	90050106700	LAMP PROTECTION GRILLE, RAL M71
4	90050106800	LAMP PROTECTION GRILLE, RAL M100
4	90050106900	LAMP PROTECTION GRILLE, RAL M120
5	90050107000	SHELF STOPPER FOR SCARLET (KIT 4 PCS.)
6	90050108100	SHELF COVER IN ALUMINIUM WHITE M71
6	90050108200	SHELF COVER IN ALUMINIUM WHITE M100
6	90050108300	SHELF COVER IN ALUMINIUM WHITE M120
6	90050107100	SHELF COVER IN ALUMINIUM, RAL M71
6	90050107200	SHELF COVER IN ALUMINIUM, RAL M100
6	90050107300	SHELF COVER IN ALUMINIUM, RAL M120
7	90050107400	TICKET STRIP RAL SCARLET M71
7	90050107500	TICKET STRIP RAL SCARLET M100
7	90050107600	TICKET STRIP RAL SCARLET M120

NordCap GmbH & Co. KG
Thalendorststraße 15
28307 Bremen
Hauptsitz (Service, Finanzen & Personal, Lager, IT, Marketing)

Telefon: +49 421 48557-0
Telefax: +49 421 488650
E-Mail: bremen@nordcap.de

Die NordCap Verkaufsniederlassungen in Deutschland:

Nord: Hamburg • Ost: Berlin • Süd: Ingelheim • West: Erkrath

