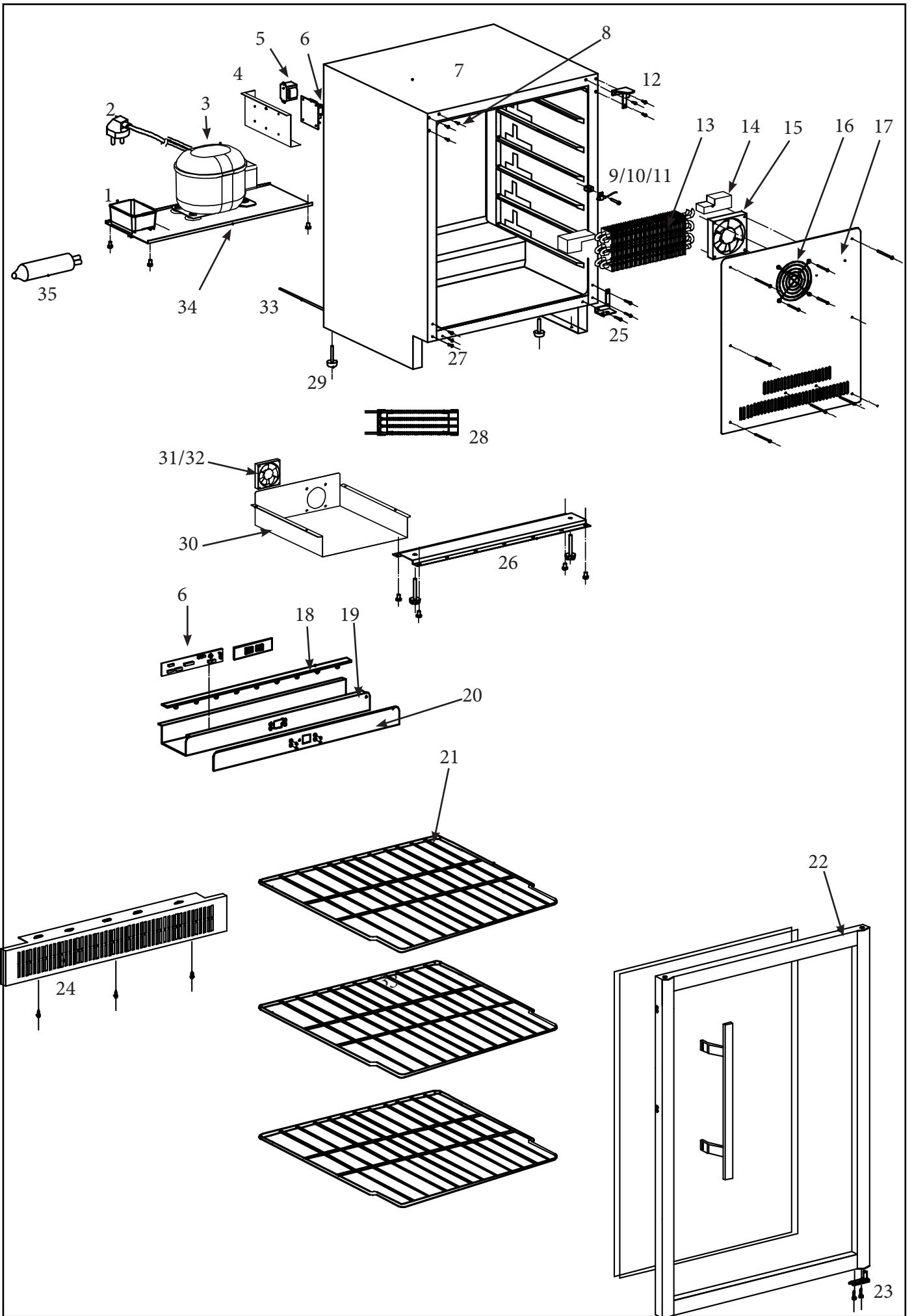


Model: 0-S707001H1030803

GB - Spare parts list



Parts of 0-S707001H1030803 (BC45A)

Rev.A 2015-6-18

Item	Part No.	Description	Qty	Spec
1	DG13-1	Water tank	1	
2	DG2-2.2	Power cord	1	
3	DG1-93	Compressor	1	
4	DG13-272-1	PCB board cover	1	
5	DG6-15	Transformer	1	
6	DG3-99-11	PCB board	1	
7	DG26-107-1	Cabinet	1	
8	DG13-268	Decorative nail	3	
9	DG13-7	Shelf support	1	
10	DG20-1	Wire clamp	1	
11	DG8-7-W	Senser	1	
12	DG14-15.6-BR	Top hinge module (Right)	1	
13	DG12-50-1	Evaporator	1	
14	DG18-93	foam	2	
15	DG7-47	Evaporator fan	1	
16	DG19-6	Fan cover	1	
17	DG22-111	Air duct board	1	
18	DG3-17-W	LED LIGHT	1	
19	DG22-379	Electrical box	1	
20	DG20-212	Display panel	1	
21	DG15-257	Wire shelves	3	
22	DG23-101	door	1	
	M130L-003	Gasket	1	
	DG13-286	handle	1	
23	DG22-116	Lower hinge	1	
24	DG22-338	Decorative frame	1	
25	DG14-167-BR	Lower hinge module(Right)	1	
26	DG22-330	Support bracket of front legs	1	
27	DG13-8	Decorative nail	3	
28	DG12-91	Condenser	1	
29	DG13-6.11	Cabinet leg	4	
30	DG19-9	Condenser cover	1	
31	DG7-47	Condenser fan	1	
	DG17-145-2	Connecting wire	1	
	DG17-158	Connecting wire	1	
32	DG19-3	Fan cover	1	
33	DG12-6.1	Air-circulating pipe	1	
34	DG22-331	Compressor bracket	1	
35	DG11-45	Drier	1	
Spare	DG14-15.6-BL	Upper hinge left	1	
	DG14-167-BL	Lower hinge left	1	
	DG15-61-1	Wooden front trim	3	
	GB7-051	Screw for wooden front trim	9	