

## Ersatzteilliste-Explosionszeichnung Gewerbetiefkühlschrank **TK 160 W**

[Art. 402729009]



## Under-counters

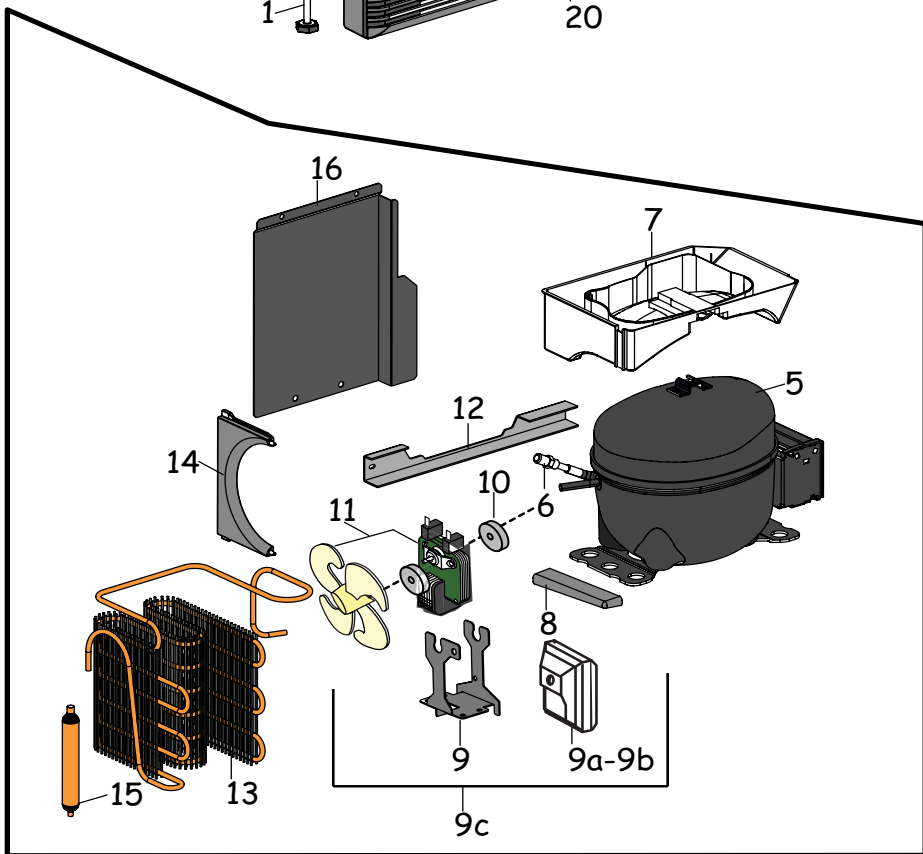
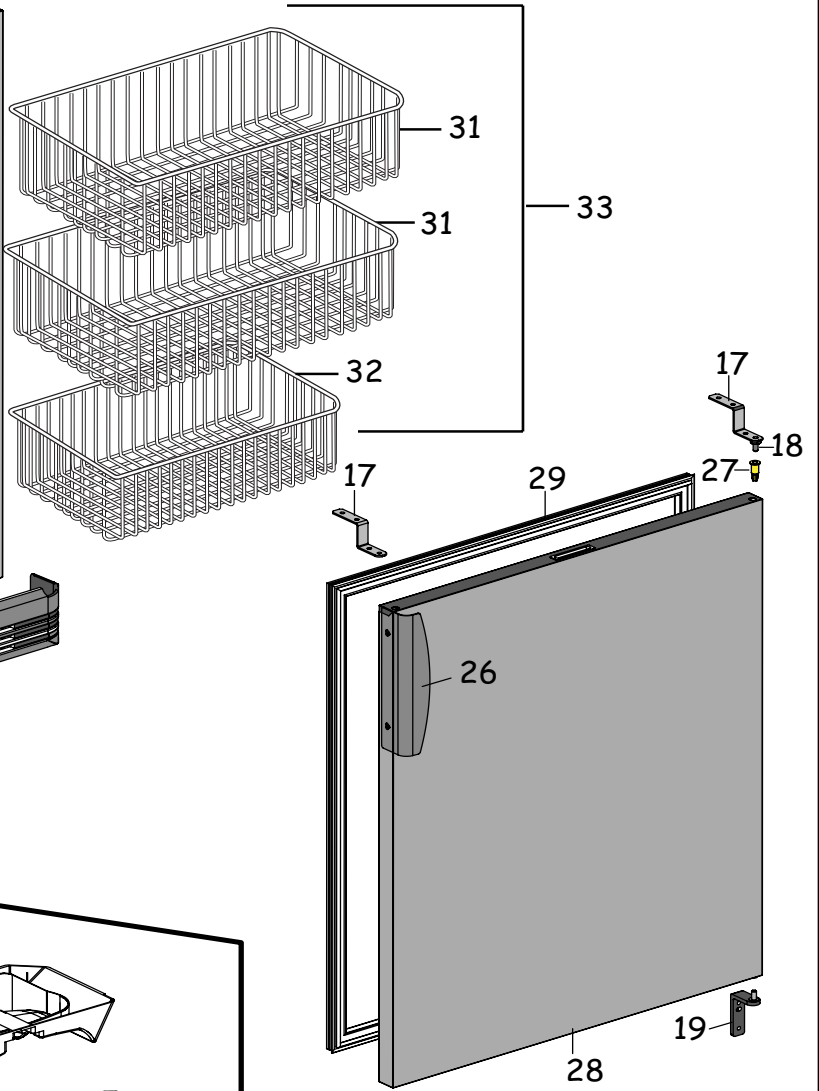
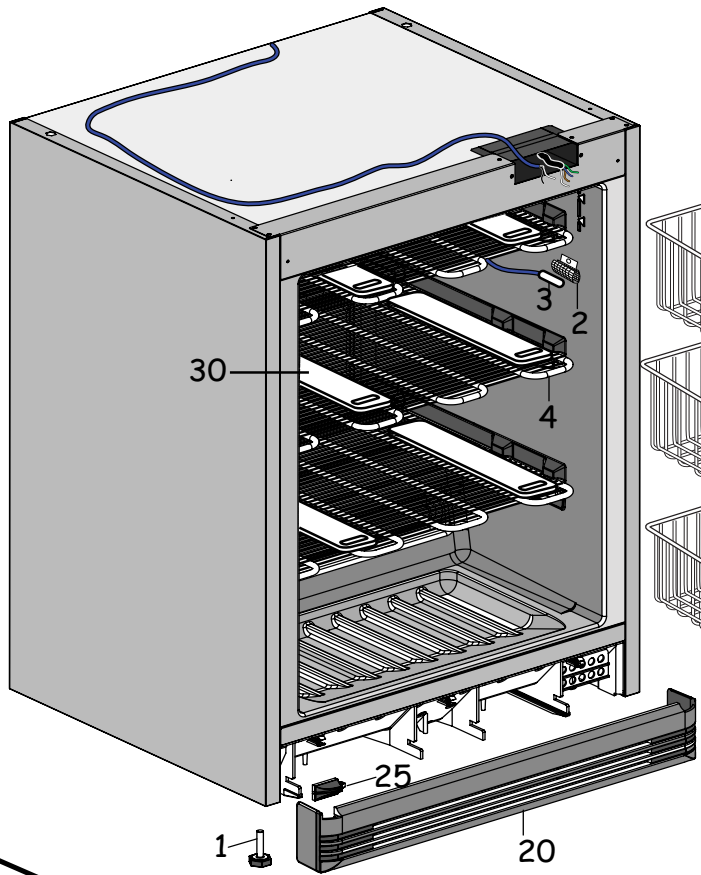
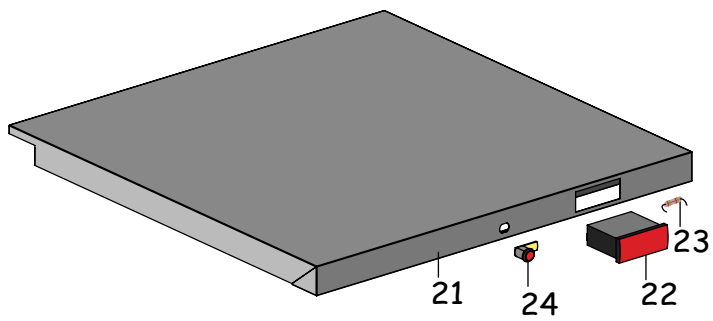
## COUNTER 160 lt. Refrigerated & Freezer

Code	En.Ch	Model	Description	Ref	Page	Brand
729000	02	ARUCR16X1	UNDERCOUNTER REF.160L,1 DOOR +2+10°C,S/S	c	4 5	Alpen
729001	02	ARUCR16G1V	UNDERC. REF.160L,1 GL.DOOR +2+10°C, GREY	d	4 5	Alpen
729003	02	ARUCR16W1	UNDERCOUNTER.REF.160L,1 DOOR +2+10°C,WHITE	e	4 5	Alpen
729004	02	ARUCR16W1V	UNDERC. REF.160L,1 GL.DOOR +2+10°C,WHITE	f	4 5	Alpen
729005	02	ARUCR16X1G	UNDERC. REF.160L,1 DOOR +2+10°C,S/S-UK	g	4 5	Alpen
729006	02	ARUCR16W1G	UNDERC.REF.160L,1 DOOR +2+10°C,WHITE-UK	h	4 5	Alpen
729007	00	ARUCF16W1C	UC.FREEZER 160L,1 DR -15/-20°C,WHITE-UK	b	2 3	Alpen
729008	00	ARUCF16X1C	UC. FREEZER 160L,1 DOOR -15/-20°C,S/S-UK	a	2 3	Alpen
729009	00	ARUCF16W1C	UNDC.FREEZER 160L,1 DOOR -15/-20°C,WHITE	b	2 3	Alpen
729010	00	ARUCF16X1C	UNDERC.FREEZER 160L,1 DOOR -15/-20°C,S/S	a	2 3	Alpen
729011	02	ARUCR16X1LG	1D 160L UNDERC.REF.+2+10,LFT HING.S/S-UK	g	4 5	Alpen
729012	03	ARUCR16RGK	1DR 160L UNDERCOUNTER REF.+2+10°C,S/S-UK	n	4 5	Alpen
729013	03	ARUCR16LGK	1DR 160L UNDERCOUNTER REF.+2+10°C,S/S-UK	o	4 5	Alpen
729338	02	NRUCR16X1	UNDERCOUNTER REF.160L,1 DOOR +2+10°C,S/S	c	4 5	OEM
729339	02	NRUCR16G1V	UNDERC. REF.160L,1 GL.DOOR +2+10°C, GREY	d	4 5	OEM
729340	02	NRUCR16W1	UNDERCOUNTER.REF.160L,1 DOOR +2+10°C,WHITE	e	4 5	OEM
729341	02	NRUCR16W1V	UNDERC. REF.160L,1 GL.DOOR +2+10°C,WHITE	f	4 5	OEM
729342	02	NRUCR16X1G	UNDERC. REF.160L,1 DOOR +2+10°C,S/S-UK	g	4 5	OEM
729343	02	NRUCR16W1G	UNDERC.REF.160L,1 DOOR +2+10°C,WHITE-UK	h	4 5	OEM
729344	00	NRUCF16W1C	UC.FREEZER 160L,1 DR -15/-20°C,WHITE-UK	b	2 3	OEM
729345	00	NRUCF16X1C	UC. FREEZER 160L,1 DOOR -15/-20°C,S/S-UK	a	2 3	OEM
729346	00	NRUCF16W1C	UNDC.FREEZER 160L,1 DOOR -15/-20°C,WHITE	b	2 3	OEM
729347	00	NRUCF16X1C	UNDERC.FREEZER 160L,1 DOOR -15/-20°C,S/S	a	2 3	OEM

Pag.	Indice
2	Apparecchiatura freezer
3	Lista ricambi
4	Apparecchiatura refrigerata
5	Lista ricambi

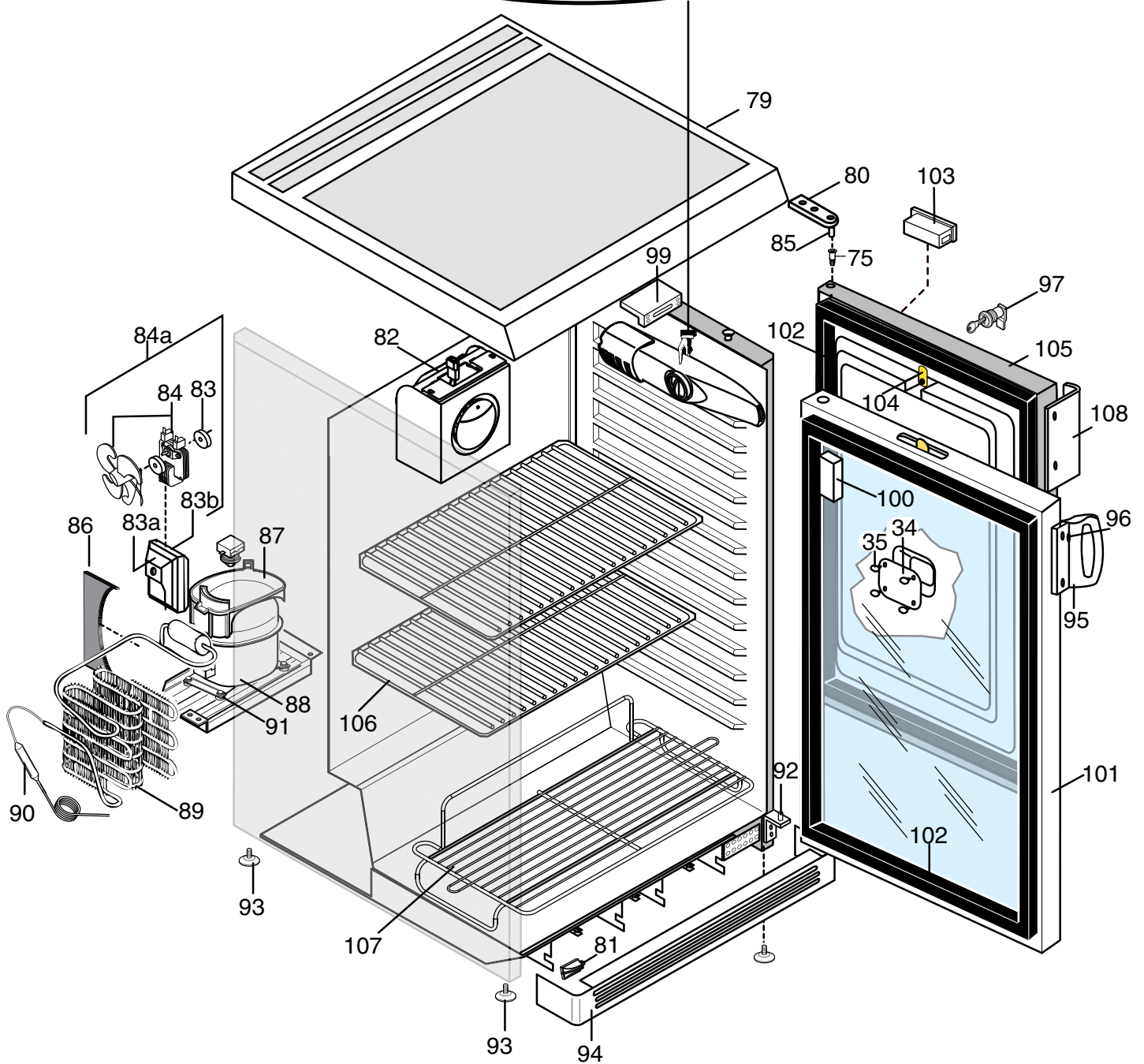
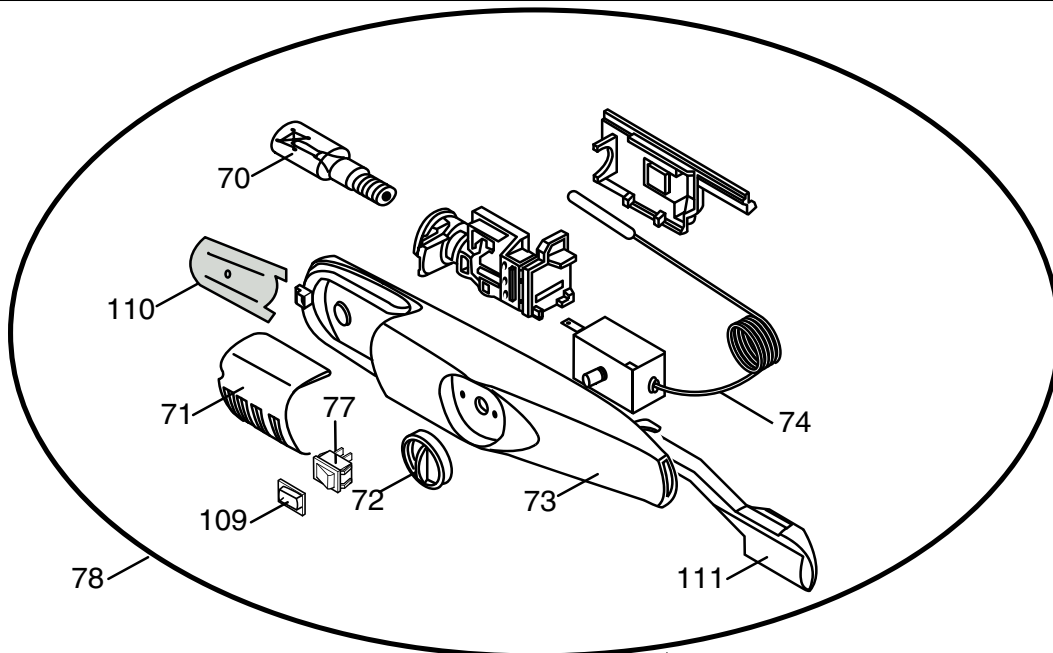
Index
Freestanding freezer
Spare parts list
Freestanding refrigerated
Spare parts list

Rev. 3



## Counters 160 LT

Pos	Code	Descrizione	Description	Ref. / Notes
1	091721	Piedino	Foot	
2	088602	Protezione per sonda	Probe protection	
3	092173	Sonda per termoregolatore	Digital thermoregulator probe	
4	092766	Griglie evaporanti	Evaporation grid	
5	092256	Compressore vedi TB VTX2016_02	Compressor see TB VTX2016_02	
6	0A8171	Valvola di ricarica gas	Gas recharge valve	
7	092254	Bacinella raccolta condensa	Condenser basin	
8	092767	Gommino per compressore	Compressor Rubber	
9	092768	Staffa ventilatore	Ventilator support	
9a	546R13300	Copertura ventilatore posterior.	Back protection fan	
9b	546R13200	Copertura ventilatore frontale	Front protection fan	
9c	093038	Kit Ventilatore	Kit Ventilator	
10	546R15300	Gommini per ventilatore	Ventilator rubber	
11	093037	Ventilatore	Ventilator	
12	092769	Staffa blocc. compressore	Compressor stopper	
13	092770	Condensatore	Condenser	
14	092771	Semianello ventilatore	Protection air	
15	099949	Filtro deidratore	Dehydrator filter	
16	092772	Lamiera di protezione	Protection fan	
17	092773	Cerniera sup dx e sx	Upper Hinge (right and left)	
18	091812	Perno per cerniera	Upper hinge pin	
19	092775	Cerniera inferiore	Lower Hinge	
19	093866	Cerniera inferiore	Lower Hinge	n,o
20	092778	Zoccolo	Plint	a
20	091814	Zoccolo	Plint	b
21	833R20002	Top	Top	
22	091609	Termoregolatore (IMEL1J0525)	Termoregulator (IMEL1J0525)	to be set
*	091682	Connettori per sonda	Probe connection	
23	092777	Resistenza (a saldare)	Resistors	
24	099878	Serratura	Lock	
25	092779	Tassello per zoccolo	Plint cover	a,g
25	092776	Tassello per zoccolo	Plint cover	b
26	099881	Maniglia per porta	Door handle	a,g
26	091374	Maniglia per porta bianca	Door handle white	b
26	093071	Maniglia per porta	Door handle	n,o
27	095611	Boccola per porta	Door bush	
28	092781	Porta	Door	a
28	092783	Porta bianca	Door White	b
29	092782	Guarnizione porta	Door Gasket	
30	546R18000	Guida per cestelli	Basket guide	
31	514R10300	Cestello grande	Big basket	
32	514R10400	Cestello piccolo	Small basket	
33	*	Kit cestelli	Kit basket	9F 880189
34	543R01000	Copertura bulbo porta	Bulb cover door	c,d,e,f,g,h
35	099622	Perno per copertura bulbo porta	Pin for bulb cover door	c,d,e,f,g,h
70	660R00200	Lampada	Light	c,d,e,f,g,h
71	546R13900	Protezione lampada	Protection light	c,d,e,f,g,h
72	092786	Manopola termostato	Thermostat knob	c,d,e,f,g,h
73	546R13600	Scatola termostato	Thermostat box	c,d,e,f,g,h
74	091197	Termostato meccanico	Thermostat	c,d,e,f,g,h
75	092780	Boccola per porta	Door bush	c,d,e,f,g,h
77	091963	Interuttore	Switth	
78	092774	Guppo termostato TH LCC	Complete box and thermostat	c,d,e,f,g,h
79	091811	Piano di lavoro grigio	Top grey	c,d,g
79	091808	Piano di lavoro bianco	Top white	e,f,h
79	095043	Piano di lavoro grigio	Top grey	n,o
80	091752	Cerniera superiore	Upper hinge	c,d,e,f,g,h
81	092779	Tassello per zoccolo	Cover lower hinge	c,d,g
81	092776	Tassello per zoccolo	Cover lower hinge	e,f,h
82	091366	Gruppo ventilatore cella DAC	Motor ventilator +fan	c,d,e,f,h
83	546R15300	Gommino ventilatore	Rubber for motor ventilator	c,d,e,f,g,h
83a	546R13300	Copertura ventilatore posterior.	Back protection fan	c,d,e,f,g,h



## Counters 160 LT

Pos	Code	Descrizione	Description	Ref. / Notes
83b	546R13200	Copertura ventilatore frontale	Front protection fan	c,d,e,f,g,h
84a	093038	Kit Ventilatore	Kit Ventilator	c,d,e,f,g,h
84	093037	Ventilatore	Ventilator	c,d,e,f,g,h
85	091812	Perno per cerniera H=4,5 D=6	Pin for hinge	c,d,e,f,g,h
86	092771	Semianello ventilatore	Protection air	c,d,e,f,g,h
87	092254	Vaschetta raccolta condensa	Basin for water condenser	c,d,e,f,g,h
88	092256	Compressore vedi TB VTX2016_02	Compressor see TB VTX2016_02	c,d,e,f,g,h
89	092770	Condensatore	Condenser	c,d,e,f,g,h
90	099949	Filtro deidratore 7 GR 2VIE	Dehydrator filter	c,d,e,f,g,h
91	092767	Gommino per compressore	Compressor Rubber	c,d,e,f,g,h
92	092775	Cerniera inferiore	Lower hinge	c,d,e,f,g,h
93	091721	Piedino livellatore	Foot	c,d,e,f,g,h
94	092778	Zoccolo	Plint	c,d,g
94	091814	Zoccolo	Plint	e,f,h
<b>94</b>	<b>502R82200</b>	<b>Zoccolo</b>	<b>Plint</b>	<b>n,o</b>
95	091734	Maniglia bianca	Handle	e,f,h
96	092784	Coprivite bianco	Plug for handle	
97	091805	Serratura	Lock	d,f
<b>97</b>	<b>091138</b>	<b>Serratura con chiavi diverse</b>	<b>Lock with different keys</b>	<b>c,e,g,h (standard)</b>
99	091140	Riscontro serratura	Lock block	d,f
100	091141	Riscontro per micro cella	Switch block	d,f
101	092691	Ass. porta vetro completa	Glass door white	f
101	092692	Ass. porta vetro completa	Glass door (grey)	d
101	094397	Ass. porta schiumata	Foamed door	l, m
102	092689	Guarnizione porta	Gasket	
103	094760	Termometro TLCD03 nero	Thermometer TDLD03 nero	c,e,g,h
103	095041	Termometro TR58X25L52	Thermometer TR58X25L52	n,o
104	091144	Leva per serratura	Lock lever	c,e,g,h
105	091145	Ass Porta cieca	Full door	e,h
105	091146	Ass Porta cieca	Full door	c,g up to wk 43/2011
105	093174	Ass Porta cieca	Full door	c,g from wk 44/2011
105	095042	Ass Porta cieca	Full door	n,o
<b>106</b>	<b>095643</b>	<b>Griglia</b>	<b>Shelf</b>	<b>c,d,e,f,g,h</b>
<b>107</b>	<b>095644</b>	<b>Griglia di fondo</b>	<b>Bottom shelf</b>	<b>c,d,e,f,g,h</b>
108	099881	Maniglia	Handle	c,d,g
109	088293	Protezione interruttore	Swich protection	
110	091954	Lamina riflessione	Protection	c,d,e,f,g,h
111	099898	Contro pulsante	Swich button	c,d,e,f,g,h



NordCap GmbH & Co. KG  
Thalendorststraße 15  
28307 Bremen  
Hauptsitz (Service, Finanzen & Personal, Lager, IT, Marketing)

Telefon: +49 421 48557-0  
Telefax: +49 421 488650  
E-Mail: [bremen@nordcap.de](mailto:bremen@nordcap.de)

Die NordCap Verkaufsniederlassungen in Deutschland:

Nord: Hamburg • Ost: Berlin • Süd: Ingelheim • West: Erkrath



**ALPENINOX**