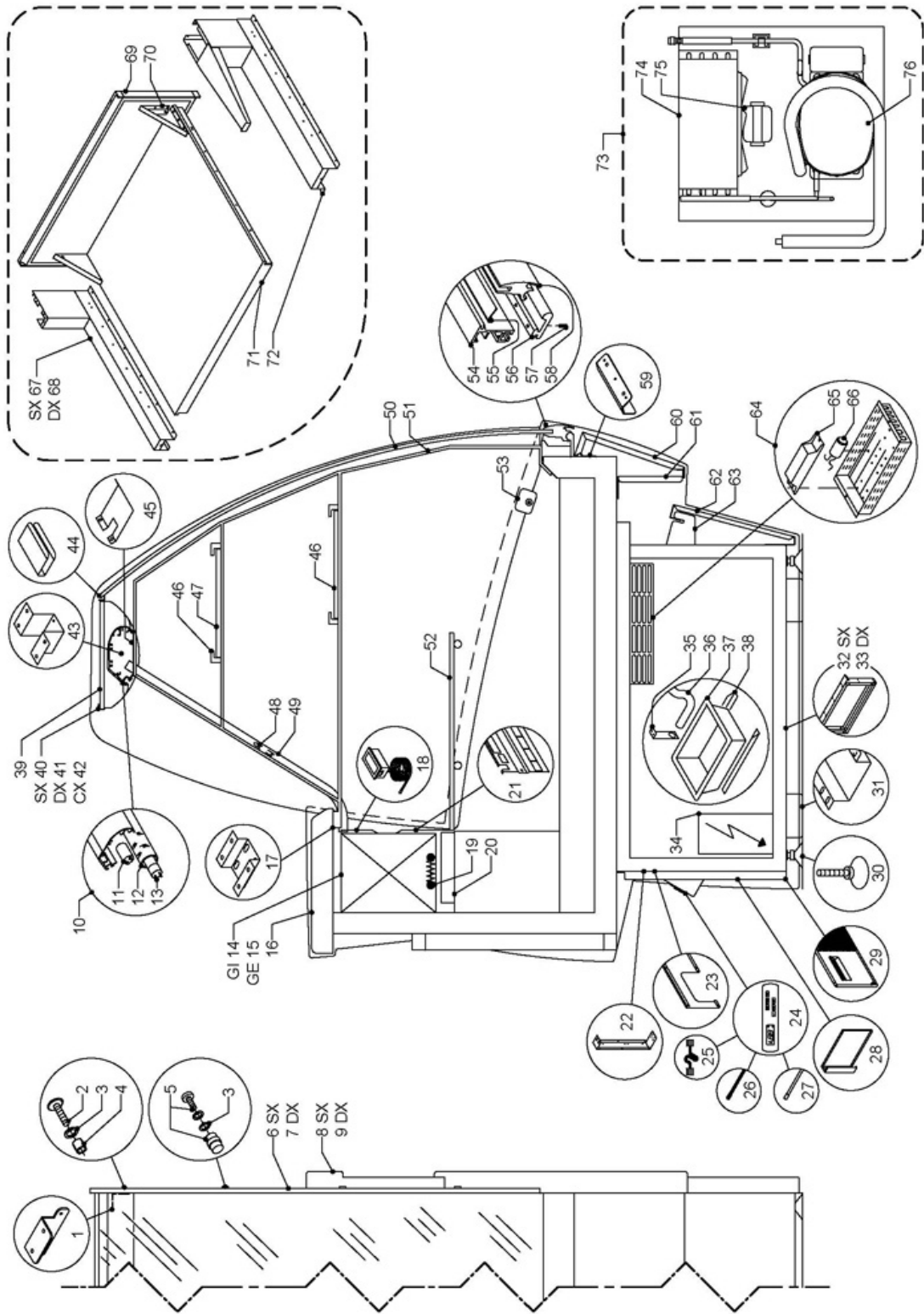


Sweet 2 L200



N°	Codice	Descrizione
1	725702	STIRRUP ZNT CANOPY HOLDER SWEET2/ZARA
2	038000	SCREW POLIERS TC- M4X15 INOX
3	039348	PLASTIC WASHER 6X18 FOR SIDE GLASS
4	379328	PVC CAP FOR GLASS
5	040097	SUPPORT FOR INTERM.GLASS SWEET
6	725505	SPALL.TERMOF.SX RAL9006 SWEET2
7	725506	SPALL.TERMOF.DX RAL9006 SWEET2
8	725511	CRISTALLO LAT.SX SWEET2 STD
9	725512	CRISTALLO LAT.DX SWEET2 STD
10	681406	WIRED ALUM. LAMP HOLDER GIOVE L.187
11	048940	STARTER ST 111 OSRAM
12	046633	COVER LAMP PROFILE IM-29 L=1495
13	046778	LAMP.FL.L58W/840 (D.26X1500)
14	041449	EVAPORATOR WITH SUCTION PIPE SWEETL=200
15	041451	COM.EV.SWEET ST.GE.200
16	725520	WORKING SHELF MM 250 SWEET2 1875
18	042721	DIGITAL THERMOMETER -40/+70 24W
19	046559	DOUBLE DEFROST HEATER D6 L187
20	621121	WATER TRAY L=190
21	650543	GRID FOR EVAPOR.COVER SWEET L=200
22	611011	MIDDLE FRAME ELIOS/ASTRA/SWEET
23	611191	COVER BACK PLATE EL./AST./SW. L=190
24	042760	INTERFACE FOR ELECTRONIC CONTROL BOARD
25	042727	CAVO CONNES.EVCO1256800044 MT1
26	04510552	PROBE FOR TELETHERM.NTCIP68 L=4000BLACK
27	04510550	PROBE FOR TELETHERM.NTCIP68 L=4000GREEN
28	725584	TAMP.LAT.CONDENSATORE SWEET2
29	681296	COVER GRID CONDENSER MARTE/MAJOR
30	37559000	ADJUSTING FRONT FOOT M10X65 D35 RAL9006
31	611002	FRAME CROSS MEMBER EL./AST./SW.L200
32	650549	FRAME LEFT SWEET
33	601000	FRAME ELIOS/ASTRA/MINOR
34	681003	WIRED POWER MODULE EVG003
35	552218	BRACKET FOR PIPE H20 COND.
36	00170612	GREEN PLASTIC PIPE D20-27
37	045651	WATER PLASTIC TRAY CM.10X36X9H
38	621062	"C" PROFILE TO SUPPORT WATER TRAY
39	725537	CRIST.RENDIR.SWEET2 L100
40	725513	SUPP.SX RENDIR/PLAF.SWEET2 STD
41	725514	SUPP.DX RENDIR/PLAF.SWEET2 STD
42	725515	SUPP.CX RENDIR/PLAF.SWEET2 STD
44	692707	FERMO CX CANAL.IX VETRI SP6MM
45	681458	PROTECTION FOR LIGHTING CANOPY GIOVE
47	725582	CRIST.INTERM.SWEET2 STD L200
48	650972	WIRING KIT SUPERSTRUC.SWEET 100/200
49	725522	TUBO X PASS.CAVI PLAF.SWEET2
50	725500	CRISTALLO CURVO SWEET2 L=100
52	650507	LOWER GLASS SHELF SWEET L=100
53	049218	PLASTIC CLAMP FOR SIDE GLASS
54	725828	PR.FRONT.ALL.725816 SWEET2 200
55	725571	PROF.GUARNIZIONE FRONT.SWEET2
56	725830	PR.RIBAL.ALL.725817 SWEET2 100
57	038546	GRANO PIANO UNI5923 M4X10 ZNT.
58	725831	PR.MANIG.ALL.725818 SWEET2 100
59	725517	SQUADRETTA SUPERIOR.DEC.SWEET2
60	725598	RED RAL3020 DEC.TRIMS SWEET2 200
62	725586	FRONT PLINTH RAL9006 SWEET2 L200
63	725516	LAM.SUPPORTO ZOCCOLO SWEET2
64	692220	BALLAST W/HOLD.WIRED 50HZ
65	047003	BALLAST 65W 220/50HZ
66	045603	CAPACITOR MF8
67	650616	BOTTOM SHELF L WITH BRACKET SWEET
68	650617	BOTTOM SHELF R WITH BRACKET SWEET
69	650628	PORTELLO CASSETTONE/A SWEET
70	650669	HOLDER FOR SWEET DRAWER
71	650698	S/S SLIDING SHELF SWEET DRAWER
72	650621	MIDDLE BOTTOM SHELF WITH BRACKET SWEET
73	098517	COND.UNIT R404A E6210GK ASTRA/GIOVE 250
74	041896	CONDENSER
75	043042	FAN MOTOR FOR COMPRESSOR 18/73 W

N°	Codice	Descrizione
76	045351	COMPRESSOR R404A ASPERA E6210GK