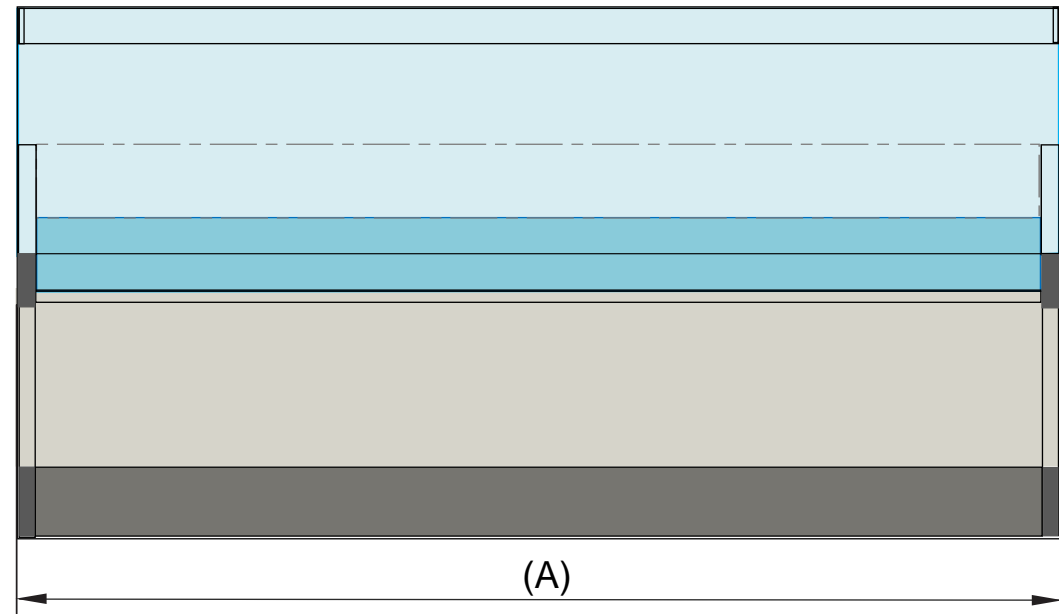
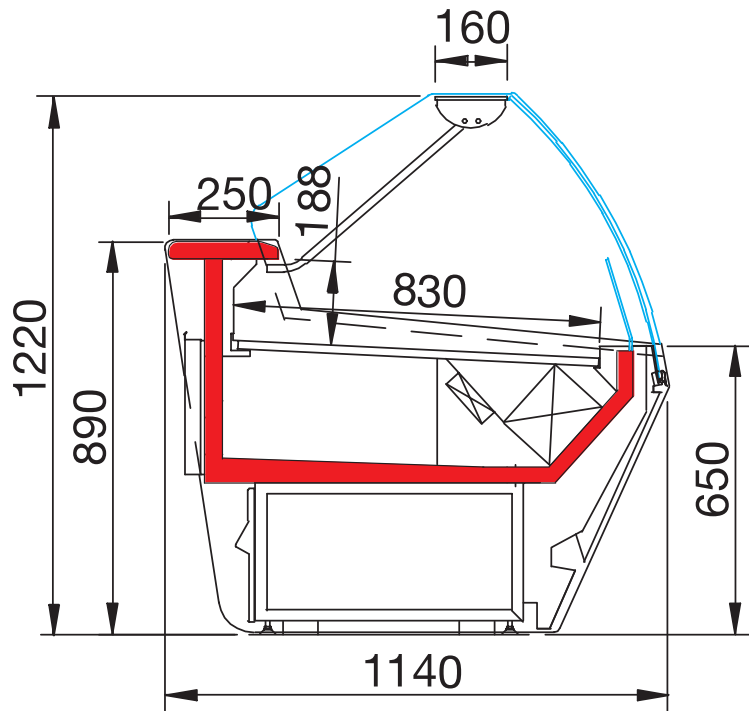


Masszeichnung

Frischwaretheke Serie GIOVE III-UM



Glove III-135	(A) - 1330 mm
Glove III-200	(A) - 1955 mm
Glove III-260	(A) - 2580 mm
Glove III-320	(A) - 3205 mm
Glove III-385	(A) - 3830 mm