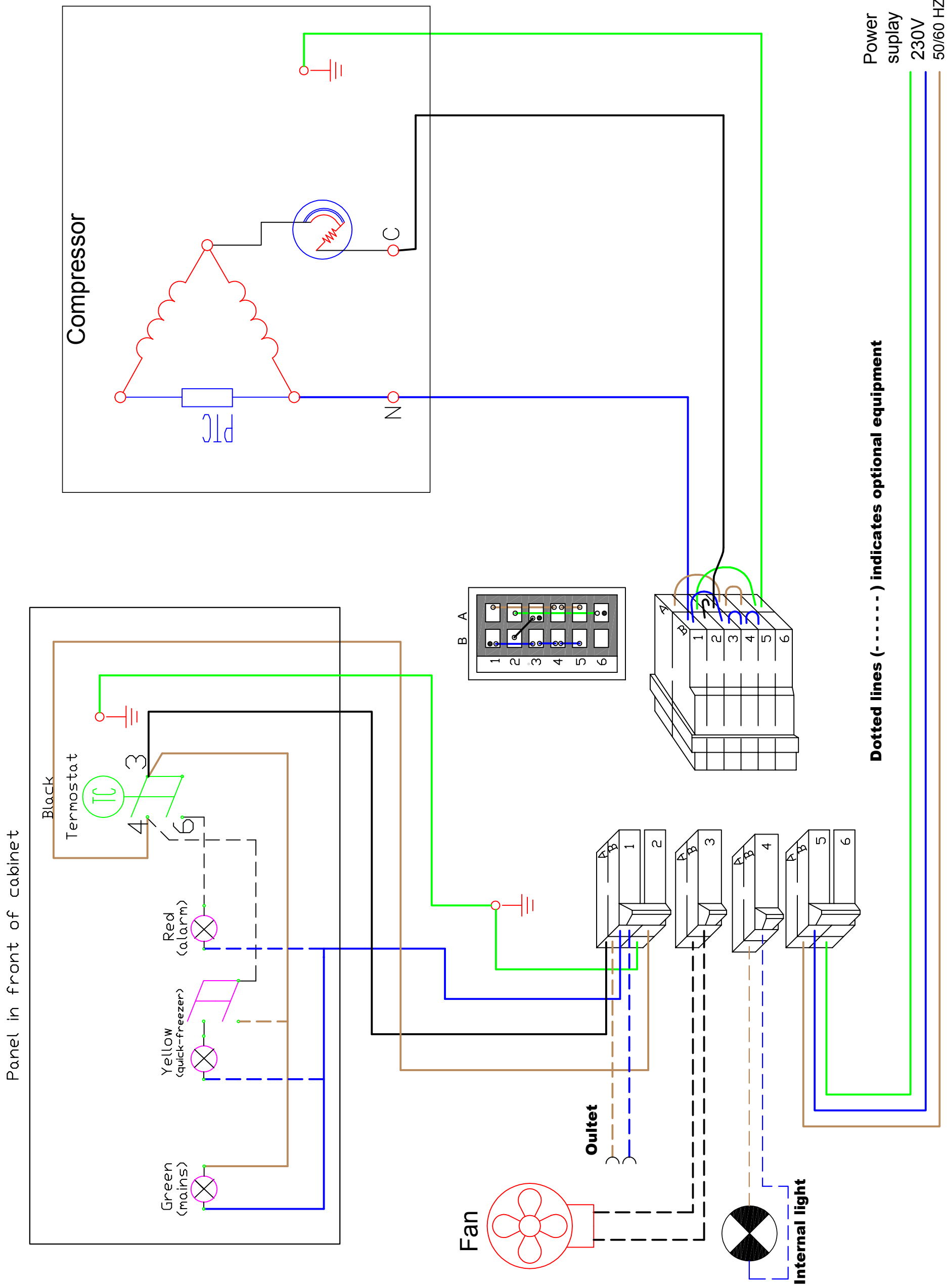


Wiring diagram Chest freezers appliances with LST starting equipment



Power supply 230V 50/60 HZ

Dotted lines (- - - - -) indicates optional equipment

Chest freezers appliances.

Tegnet af/ Dato	Godkendt af / Dato	File name	Scale Ikke målfast
GH 230904		PDA TED0001	Side 1/1