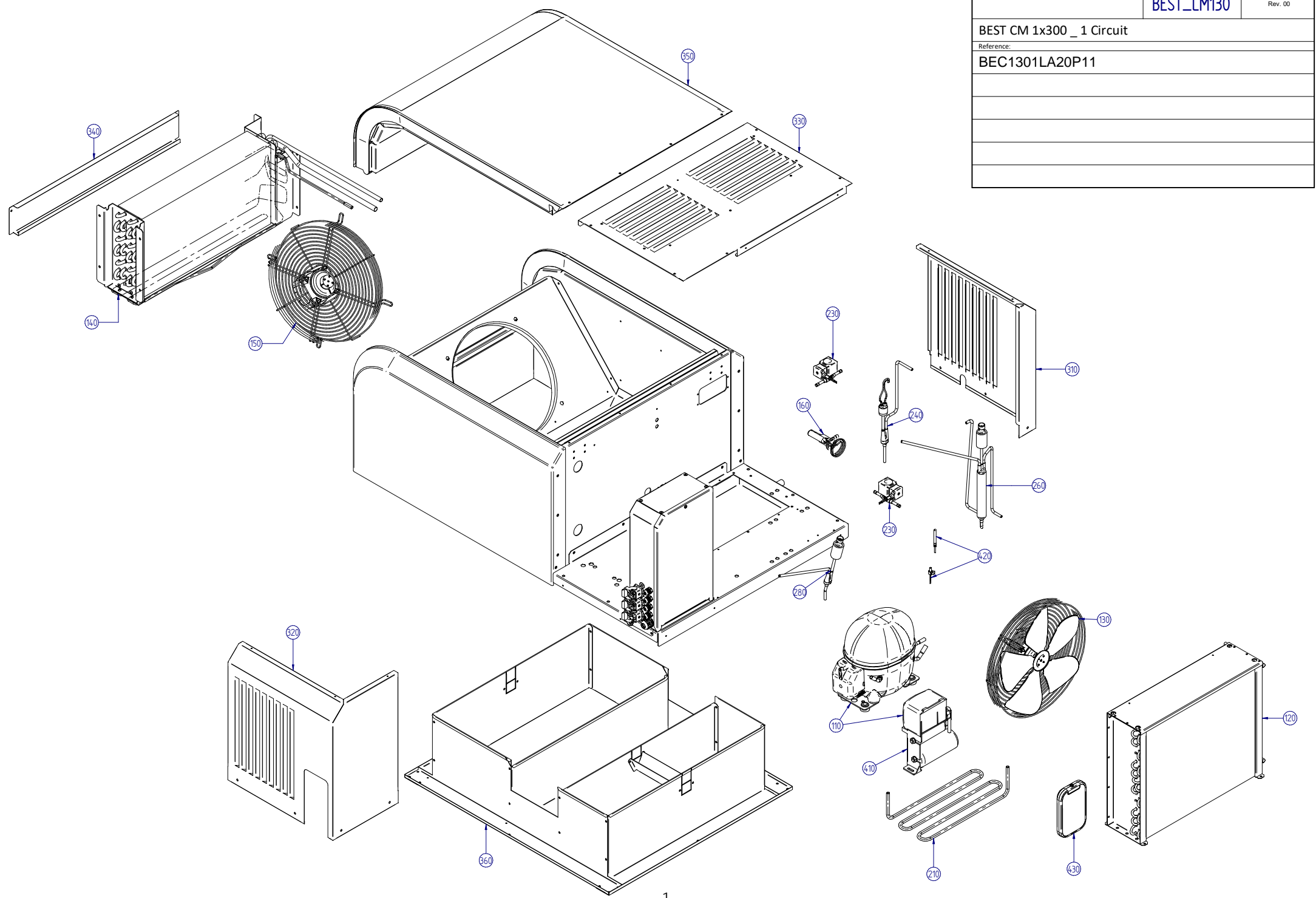
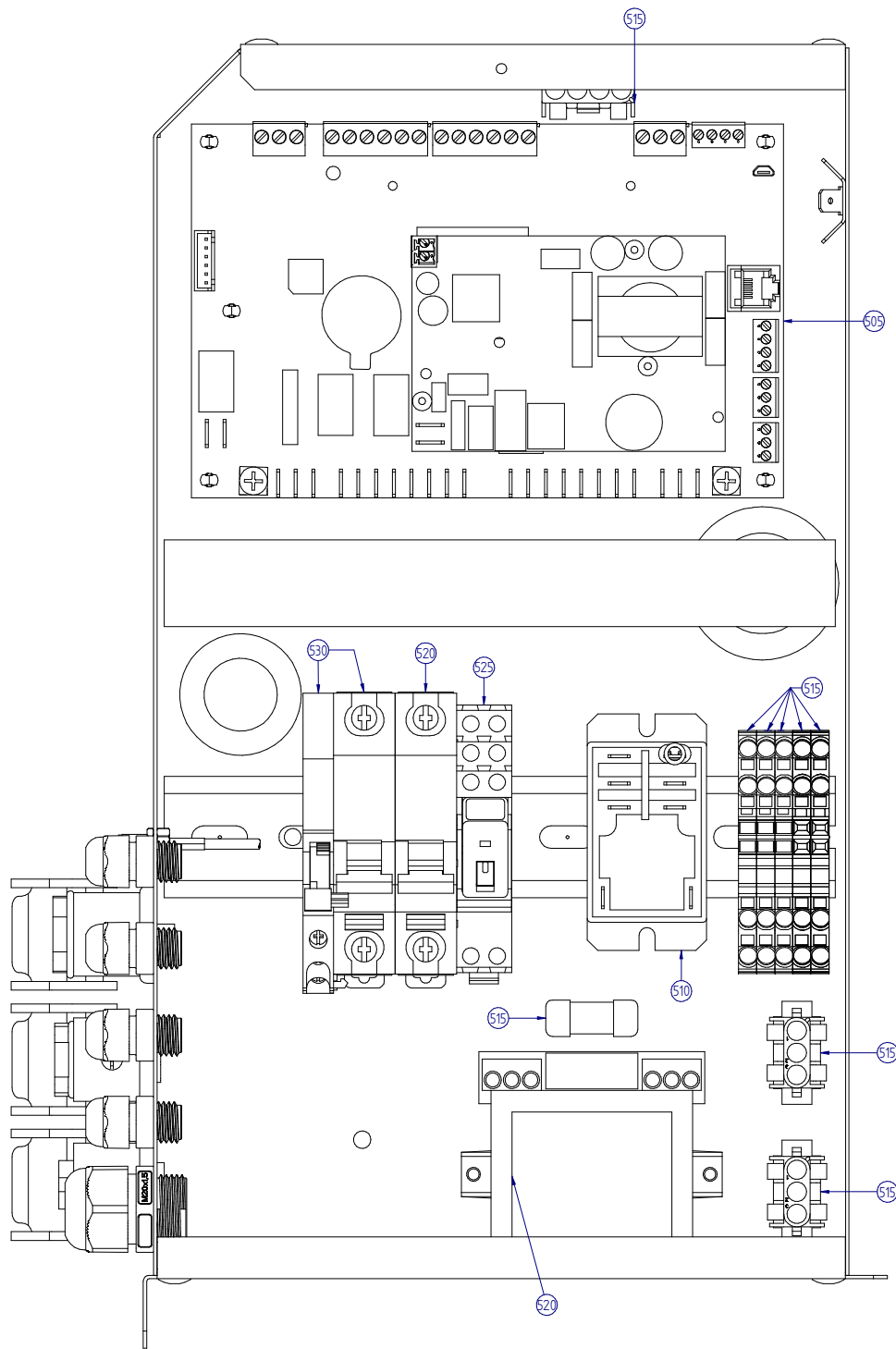


|                                |
|--------------------------------|
| <b>BEST CM 1x300_1 Circuit</b> |
| Reference:                     |
| <b>BEC1301LA20P11</b>          |
|                                |
|                                |
|                                |
|                                |





|                              |                   |                       |
|------------------------------|-------------------|-----------------------|
|                              | Draft             | Foglio / Sheet 2 di 8 |
|                              | <b>BEST_CM130</b> | Rev. 00               |
| <b>BEST CM 1x300 _ E.Box</b> |                   |                       |
| Reference:                   |                   |                       |
| <b>BEC1301LA20P11</b>        |                   |                       |
|                              |                   |                       |
|                              |                   |                       |
|                              |                   |                       |
|                              |                   |                       |

ERSATZTEILLISTE Januar 2024 - BEST CM

| BAUGRUPPE<br>GROUP                                     | POSITION<br>POSITION   | KOMPONENTEN<br>COMPONENTS  | BESCHREIBUNG<br>DESCRIPTION  | Code      | BEC1301LA10P11 | BEC1301LA20P11 | BEC1301MA05P11 | BEC1301MA07P11 | BEC1301MA10P11 | BEC1301MA20P11 | BEC2301LA30P11 | BEC2301MA30P11 | BEC2301MA40P11 | BEC2302LA40P1x | BEC2302LA50P1x | BEC2302LA60P1x | BEC2302MA50P1x | BEC2302MA60P1x | BEC2302MA70P1x | BEC2353LA70P12 | BEC2353LA80P12 | BEC2353MA80P12 | BEC2353MA80P12 |   |   |   |
|--|--|--|--|-----------|----------------|----------------|----------------|----------------|----------------|----------------|----------------|----------------|----------------|----------------|----------------|----------------|----------------|----------------|----------------|----------------|----------------|----------------|----------------|---|---|---|
|  |  |  |  |           |                |                |                |                |                |                |                |                |                |                |                |                |                |                |                |                |                |                |                |   |   |   |
| HAUPTKOMPONENTEN<br>MAIN COMPONENTS                    | 110  | Verdichter / Compressor  | Verdichter+ Schwingungsdämpfer+Elektrobox / Compressor + vibration-damping feet +    | 4001-0038 | x              |                |                |                |                |                |                |                |                |                |                |                |                |                |                |                |                |                |                |   |   |   |
|  | 110  | Verdichter / Compressor  | Verdichter+ Schwingungsdämpfer+Elektrobox / Compressor + vibration-damping feet +    | 4001-0040 |                | x              |                |                |                |                |                |                |                |                |                |                |                |                |                |                |                |                |                |   |   |   |
|  | 110  | Verdichter / Compressor  | Verdichter+ Schwingungsdämpfer+Elektrobox / Compressor + vibration-damping feet +    | 4001-0104 |                |                | x              |                |                |                |                |                |                |                |                |                |                |                |                |                |                |                |                |   |   |   |
|  | 110  | Verdichter / Compressor  | Verdichter+ Schwingungsdämpfer+Elektrobox / Compressor + vibration-damping feet +    | 4001-0106 |                |                |                | x              |                |                |                |                |                |                |                |                |                |                |                |                |                |                |                |   |   |   |
|  | 110  | Verdichter / Compressor  | Verdichter+ Schwingungsdämpfer+Elektrobox / Compressor + vibration-damping feet +    | 4001-0033 |                |                |                |                | x              |                |                |                |                |                |                |                |                |                |                |                |                |                |                |   |   |   |
|  | 110  | Verdichter / Compressor  | Verdichter+ Schwingungsdämpfer+Elektrobox / Compressor + vibration-damping feet +    | 4001-0034 |                |                |                |                |                | x              |                |                |                |                |                |                |                |                |                |                |                |                |                |   |   |   |
|  | 110  | Verdichter / Compressor  | Verdichter+ Schwingungsdämpfer+Elektrobox / Compressor + vibration-damping feet +    | 4001-0105 |                |                |                |                |                |                | x              |                |                |                |                |                |                |                |                |                |                |                |                |   |   |   |
|  | 110  | Verdichter / Compressor  | Verdichter+ Schwingungsdämpfer+Elektrobox / Compressor + vibration-damping feet +    | 4001-0107 |                |                |                |                |                |                |                |                | x              |                |                |                |                |                |                |                |                |                |                |   |   |   |
|  | 110  | Verdichter / Compressor  | Verdichter+ Schwingungsdämpfer+Elektrobox / Compressor + vibration-damping feet +    | 4001-0037 |                |                |                |                |                |                |                |                |                | x              |                |                |                |                |                |                |                |                |                |   |   |   |
|  | 110  | Verdichter / Compressor  | Verdichter+ Schwingungsdämpfer+Elektrobox / Compressor + vibration-damping feet +    | 4001-0108 |                |                |                |                |                |                |                |                |                |                | x              |                |                |                |                |                |                |                |                |   |   |   |
|  | 120  | Verflüssiger (Lamellenpaket) / Condenser (fin and tube assembly)           | Verflüssiger (Lamellenpaket) / Condenser (fin and tube assembly)                     | 4001-0109 | x              | x              | x              | x              | x              | x              |                |                |                |                |                |                |                |                |                |                |                |                |                |   |   |   |
|  | 120  | Verflüssiger (Lamellenpaket) / Condenser (fin and tube assembly)           | Verflüssiger (Lamellenpaket) / Condenser (fin and tube assembly)                     | 4001-0110 |                |                |                |                |                |                | x              | x              | x              |                |                |                |                |                |                |                |                |                |                |   |   |   |
|  | 120  | Verflüssiger (Lamellenpaket) / Condenser (fin and tube assembly)           | Verflüssiger (Lamellenpaket) / Condenser (fin and tube assembly)                     | 4001-0111 |                |                |                |                |                |                |                |                |                |                | x              | x              | x              | x              | x              | x              |                |                |                |   |   |   |
|  | 120  | Verflüssiger (Lamellenpaket) / Condenser (fin and tube assembly)           | Verflüssiger (Lamellenpaket) / Condenser (fin and tube assembly)                     | 4001-0112 |                |                |                |                |                |                |                |                |                |                |                |                |                |                |                |                | x              | x              | x              | x |   |   |
|  | 140  | Verdampfer (Lamellenpaket) / Evaporator (fin and tube assembly)            | Verdampfer (Lamellenpaket) / Evaporator (fin and tube assembly)                      | 4001-0113 | x              | x              | x              | x              | x              | x              |                |                |                |                |                |                |                |                |                |                |                |                |                |   |   |   |
|  | 140  | Verdampfer (Lamellenpaket) / Evaporator (fin and tube assembly)            | Verdampfer (Lamellenpaket) / Evaporator (fin and tube assembly)                      | 4001-0114 |                |                |                |                |                |                |                | x              | x              | x              |                |                |                |                |                |                |                |                |                |   |   |   |
|  | 140  | Verdampfer (Lamellenpaket) / Evaporator (fin and tube assembly)            | Verdampfer (Lamellenpaket) / Evaporator (fin and tube assembly)                      | 4001-0115 |                |                |                |                |                |                |                |                |                |                | x              | x              | x              | x              | x              | x              |                |                |                |   |   |   |
|  | 140  | Verdampfer (Lamellenpaket) / Evaporator (fin and tube assembly)            | Verdampfer (Lamellenpaket) / Evaporator (fin and tube assembly)                      | 4001-0116 |                |                |                |                |                |                |                |                |                |                |                |                |                |                |                |                |                | x              | x              | x | x |   |
|  | 130  | Baugruppe Verflüssigerlüfter / Condenser fan assembly                      | Motor + Flügel + Gitter + Halterung / Motor + fan + guard + fixing bracket           | 4001-0117 |                |                |                |                |                |                |                |                |                |                |                |                |                |                |                |                |                | x              | x              | x | x |   |
|  | 130  | Baugruppe Verflüssigerlüfter / Condenser fan assembly                      | Motor + Flügel + Gitter + Halterung / Motor + fan + guard + fixing bracket           | 4001-0118 | x              | x              | x              | x              | x              | x              | x              | x              | x              | x              | x              | x              | x              | x              | x              | x              |                |                |                |   |   |   |
| 150  | Baugruppe Verdampferlüfter / Evaporator fan assembly             | Motor + Flügel + Gitter + Halterung / Motor + fan + guard + fixing bracket | 4001-0118  | x         | x              | x              | x              | x              | x              | x              | x              | x              | x              | x              | x              | x              | x              | x              | x              |                |                |                |                |   |   |   |
| 160  | Thermostatisches Expansionsventil / Thermostatic expansion valve | Thermostatisches Expansionsventil / Thermostatic expansion valve           | 4001-0043  | x         |                | x              | x              | x              |                |                |                |                |                |                |                |                |                |                |                |                |                |                |                |   |   |   |
| 160  | Thermostatisches Expansionsventil / Thermostatic expansion valve | Thermostatisches Expansionsventil / Thermostatic expansion valve           | 4001-0044  |           | x              |                |                |                |                |                | x              |                |                |                |                |                | x              |                |                |                |                |                |                |   |   |   |
| 160  | Thermostatisches Expansionsventil / Thermostatic expansion valve | Thermostatisches Expansionsventil / Thermostatic expansion valve           | 4001-0045  |           |                |                |                |                |                |                | x              | x              |                |                |                |                |                |                |                |                |                |                |                |   |   |   |
| 160  | Thermostatisches Expansionsventil / Thermostatic expansion valve | Thermostatisches Expansionsventil / Thermostatic expansion valve           | 4001-0046  |           |                |                |                |                |                |                |                |                | x              |                |                |                |                |                |                |                |                |                |                | x |   |   |
| KOMPONENTEN<br>KÄLTEMITTELKREISLAUF<br>LINE COMPONENTS | 210  | Kondensatverdunster / Condensate dryer                                     | Heizschlange für Verdunstungsschale / Heater tube for condensate tray                | 4001-0141 | x              | x              | x              | x              | x              | x              |                |                |                |                |                |                |                |                |                |                |                |                |                |   |   |   |
|  | 210  | Kondensatverdunster / Condensate dryer                                     | Heizschlange für Verdunstungsschale / Heater tube for condensate tray                | 4001-0142 |                |                |                |                |                |                |                |                | x              | x              | x              |                |                |                |                |                |                |                |                |   |   |   |
|  | 210  | Kondensatverdunster / Condensate dryer                                     | Heizschlange für Verdunstungsschale / Heater tube for condensate tray                | 4001-0143 |                |                |                |                |                |                |                |                |                |                |                |                |                |                |                |                |                |                |                |   |   |   |
|  | 210  | Kondensatverdunster / Condensate dryer                                     | Heizschlange für Verdunstungsschale / Heater tube for condensate tray                | 4001-0163 |                |                |                |                |                |                |                |                |                |                |                |                |                |                |                |                |                |                | x              | x | x | x |
|  | 215  | Kondensatverdunster / Condensate dryer                                     | Heizschlange für Verdunstungsschale / Heater tube for condensate tray                | 4001-0144 |                |                |                |                |                |                |                |                |                |                |                |                |                |                |                |                |                |                |                |   |   |   |
|  | 215  | Kondensatverdunster / Condensate dryer                                     | Heizschlange für Verdunstungsschale / Heater tube for condensate tray                | 4001-0145 |                |                |                |                |                |                |                |                |                |                |                |                |                |                |                |                |                |                |                |   |   |   |
|  | 220  | Kondensatverdunster / Condensate dryer                                     | Heizschlange für Verdunstungsschale / Heater tube for condensate tray                | 4001-0146 |                |                |                |                |                |                |                |                |                |                |                |                |                |                |                |                |                |                |                |   |   |   |
|  | 230  | Magnetventil / Solenoid valve  | Magnetventil + Spule + Verbindungskabel / Solenoid valve + coil + connector cable    | 4001-0051 | x              | x              | x              | x              | x              | x              | x              | x              | x              | x              | x              | x              | x              | x              | x              | x              | x              | x              | x              | x | x |   |
|  | 240  | Hochdruckschalter / HBP Pressure switch                                    | Hochdruckschalter inkl. Verbindungskabel / HBP Pressure switch incl. connector cable | 4001-0119 | x              | x              | x              | x              | x              | x              |                |                |                |                |                |                |                |                |                |                |                |                |                |   |   |   |
|  | 240  | Hochdruckschalter / HBP Pressure switch                                    | Hochdruckschalter inkl. Verbindungskabel / HBP Pressure switch incl. connector cable | 4001-0120 |                |                |                |                |                |                |                |                |                |                |                |                |                |                |                |                |                |                |                |   |   |   |
|  | 240  | Hochdruckschalter / HBP Pressure switch                                    | Hochdruckschalter inkl. Verbindungskabel / HBP Pressure switch incl. connector cable | 4001-0121 |                |                |                |                |                |                |                |                |                |                |                |                |                |                |                |                |                |                |                |   |   |   |
|  | 240  | Hochdruckschalter / HBP Pressure switch                                    | Hochdruckschalter inkl. Verbindungskabel / HBP Pressure switch incl. connector cable | 4001-0122 |                |                |                |                |                |                |                |                |                |                |                |                |                |                |                |                |                |                |                |   |   |   |
|  | 245  | Hochdruckschalter / HBP Pressure switch                                    | Hochdruckschalter inkl. Verbindungskabel / HBP Pressure switch incl. connector cable | 4001-0123 |                |                |                |                |                |                |                |                |                |                |                |                |                |                |                |                |                |                |                |   |   |   |
|  | 245  | Hochdruckschalter / HBP Pressure switch                                    | Hochdruckschalter inkl. Verbindungskabel / HBP Pressure switch incl. connector cable | 4001-0124 |                |                |                |                |                |                |                |                |                |                |                |                |                |                |                |                |                |                |                |   |   |   |
|  | 250  | Hochdruckschalter / HBP Pressure switch                                    | Hochdruckschalter inkl. Verbindungskabel / HBP Pressure switch incl. connector cable | 4001-0125 |                |                |                |                |                |                |                |                |                |                |                |                |                |                |                |                |                |                |                |   |   |   |
|  | 260  | Hochdrucktransmitter Kreislauf 1 / High pressure probe circuit 1           | Hochdrucktransmitter 0-30 bar / High pressure probe 0-30 bar                         | 4001-0126 | x              | x              | x              | x              | x              | x              |                |                |                |                |                |                |                |                |                |                |                |                |                |   |   |   |
|  | 260  | Hochdrucktransmitter Kreislauf 1 / High pressure probe circuit 1           | Hochdrucktransmitter 0-30 bar / High pressure probe 0-30 bar                         | 4001-0127 |                |                |                |                |                |                |                |                |                |                |                |                |                |                |                |                |                |                |                |   |   |   |
|  | 260  | Hochdrucktransmitter Kreislauf 1 / High pressure probe circuit 1           | Hochdrucktransmitter 0-30 bar / High pressure probe 0-30 bar                         | 4001-0128 |                |                |                |                |                |                |                |                |                |                |                |                |                |                |                |                |                |                |                |   |   |   |
|  | 260  | Hochdrucktransmitter Kreislauf 1 / High pressure probe circuit 1           | Hochdrucktransmitter 0-30 bar / High pressure probe 0-30 bar                         | 4001-0129 |                |                |                |                |                |                |                |                |                |                |                |                |                |                |                |                |                |                |                |   |   |   |
|  | 265  | Hochdrucktransmitter Kreislauf 1 / High pressure probe circuit 2           | Hochdrucktransmitter 0-30 bar / High pressure probe 0-30 bar                         | 4001-0130 |                |                |                |                |                |                |                |                |                |                |                |                |                |                |                |                |                |                |                |   |   |   |
| 265  | Hochdrucktransmitter Kreislauf 2 / High pressure probe circuit 2 | Hochdrucktransmitter 0-30 bar / High pressure probe 0-30 bar               | 4001-0131  |           |                |                |                |                |                |                |                |                |                |                |                |                |                |                |                |                |                |                |                |   |   |   |
| 270  | Hochdrucktransmitter Kreislauf 2 / High pressure probe circuit 2 | Hochdrucktransmitter 0-30 bar / High pressure probe 0-30 bar               | 4001-0132  |           |                |                |                |                |                |                |                |                |                |                |                |                |                |                |                |                |                |                |                |   |   |   |
| 280  | Niederdrucktransmitter / Low pressure probe                      | Niederdrucktransmitter 0-10 bar / Low pressure probe 0-10 bar              | 4001-0133  | x         |                | x              | x              | x              | x              |                |                |                |                |                |                |                |                |                |                |                |                |                |                |   |   |   |
| 280  | Niederdrucktransmitter / Low pressure probe                      | Niederdrucktransmitter 0-10 bar / Low pressure probe 0-10 bar              | 4001-0134  |           | x              |                |                |                |                |                |                |                |                |                |                |                |                |                |                |                |                |                |                |   |   |   |

ERSATZTEILLISTE Januar 2024 - BEST CM

| BAUGRUPPE<br>GROUP  | POSITION<br>POSITION           | KOMPONENTEN<br>COMPONENTS  | BESCHREIBUNG<br>DESCRIPTION   | Code      | BEC1301LA10P11 | BEC1301LA20P11 | BEC1301MA05P11 | BEC1301MA07P11 | BEC1301MA10P11 | BEC1301MA20P11 | BEC2301LA30P11 | BEC2301MA30P11 | BEC2301MA40P11 | BEC2302LA40P1x | BEC2302LA50P1x | BEC2302LA60P1x | BEC2302MA50P1x | BEC2302MA60P1x | BEC2353LA70P12 | BEC2353LA80P12 | BEC2353MA80P12 | BEC2353MA80P12 |   |
|---|--------------------------------|--|---|-----------|----------------|----------------|----------------|----------------|----------------|----------------|----------------|----------------|----------------|----------------|----------------|----------------|----------------|----------------|----------------|----------------|----------------|----------------|---|
|   |                                |  |   |           |                |                |                |                |                |                |                |                |                |                |                |                |                |                |                |                |                |                |   |
| GEHÄUSE<br>HOUSING  | 310                            | Seitenblech rechts / Right panel   | Seitenblech rechts / Right panel  | 4001-0147 | x              | x              | x              | x              | x              | x              |                |                |                |                |                |                |                |                |                |                |                |                |   |
|   | 310                            | Seitenblech rechts / Right panel   | Seitenblech rechts / Right panel  | 4001-0148 |                |                |                |                |                |                | x              | x              | x              | x              | x              | x              | x              | x              |                |                |                |                |   |
|   | 310                            | Seitenblech rechts / Right panel   | Seitenblech rechts / Right panel  | 4001-0149 |                |                |                |                |                |                |                |                |                |                |                |                |                |                |                | x              | x              | x              | x |
|   | 320                            | Seitenblech links / Left panel   | Seitenblech links / Left panel  | 4001-0159 | x              | x              | x              | x              | x              | x              |                |                |                |                |                |                |                |                |                |                |                |                |   |
|   | 320                            | Seitenblech links / Left panel   | Seitenblech links / Left panel  | 4001-0150 |                |                |                |                |                |                | x              | x              | x              | x              | x              | x              | x              | x              |                |                |                |                |   |
|   | 320                            | Seitenblech links / Left panel   | Seitenblech links / Left panel  | 4001-0157 |                |                |                |                |                |                |                |                |                |                |                |                |                |                |                | x              | x              | x              | x |
|   | 330                            | Oberes Blech / Top panel   | Oberes Blech / Top panel  | 4001-0162 | x              | x              | x              | x              | x              | x              |                |                |                |                |                |                |                |                |                |                |                |                |   |
|   | 330                            | Oberes Blech / Top panel   | Oberes Blech / Top panel  | 4001-0164 |                |                |                |                |                |                |                | x              | x              | x              | x              | x              | x              | x              |                |                |                |                |   |
|   | 330                            | Oberes Blech / Top panel   | Oberes Blech / Top panel  | 4001-0165 |                |                |                |                |                |                |                |                |                |                |                |                |                |                |                | x              | x              | x              | x |
|   | 340                            | Hinteres Blech / Back panel  | Hinteres Blech / Back panel   | 4001-0161 | x              | x              | x              | x              | x              | x              |                |                |                |                |                |                |                |                |                |                |                |                |   |
|   | 340                            | Hinteres Blech / Back panel  | Hinteres Blech / Back panel   | 4001-0166 |                |                |                |                |                |                |                | x              | x              | x              | x              | x              | x              | x              |                |                |                |                |   |
|   | 340                            | Hinteres Blech / Back panel  | Hinteres Blech / Back panel   | 4001-0167 |                |                |                |                |                |                |                |                |                |                |                |                |                |                |                | x              | x              | x              | x |
|   | 350                            | Isolierte Verdampferabdeckung / Insulated bx cover evaporator  | Isolierte Verdampferabdeckung / Insulated bx cover evaporator   | 4001-0154 | x              | x              | x              | x              | x              | x              |                |                |                |                |                |                |                |                |                |                |                |                |   |
|   | 350                            | Isolierte Verdampferabdeckung / Insulated bx cover evaporator  | Isolierte Verdampferabdeckung / Insulated bx cover evaporator   | 4001-0168 |                |                |                |                |                |                |                | x              | x              | x              | x              | x              | x              | x              |                |                |                |                |   |
|   | 350                            | Isolierte Verdampferabdeckung / Insulated bx cover evaporator  | Isolierte Verdampferabdeckung / Insulated bx cover evaporator   | 4001-0151 |                |                |                |                |                |                |                |                |                |                |                |                |                |                |                | x              | x              | x              | x |
|   | 360                            | Luftführungsgehäuse / Air duct   | Luftführungsgehäuse / Air duct  | 4001-0155 | x              | x              |                |                |                |                |                |                |                |                |                |                |                |                |                |                |                |                |   |
|   | 360                            | Luftführungsgehäuse / Air duct   | Luftführungsgehäuse / Air duct  | 4001-0156 |                |                | x              | x              | x              | x              |                |                |                |                |                |                |                |                |                |                |                |                |   |
|   | 360                            | Luftführungsgehäuse / Air duct   | Luftführungsgehäuse / Air duct  | 4001-0169 |                |                |                |                |                |                |                | x              |                |                | x              | x              | x              |                |                |                |                |                |   |
|   | 360                            | Luftführungsgehäuse / Air duct   | Luftführungsgehäuse / Air duct  | 4001-0170 |                |                |                |                |                |                |                |                | x              | x              |                |                |                | x              | x              | x              |                |                |   |
|   | 360                            | Luftführungsgehäuse / Air duct   | Luftführungsgehäuse / Air duct  | 4001-0152 |                |                |                |                |                |                |                |                |                |                |                |                |                |                |                | x              | x              |                |   |
| 360   | Luftführungsgehäuse / Air duct | Luftführungsgehäuse / Air duct   | 4001-0153   |           |                |                |                |                |                |                |                |                |                |                |                |                |                |                |                |                | x              | x              |   |
| 370   | Luftleitblech / Air conveyor   | Luftleitblech / Air conveyor   | 4001-0160   |           |                |                |                |                |                |                | x              | x              | x              | x              | x              | x              | x              | x              |                |                |                |                |   |
| 370   | Luftleitblech / Air conveyor   | Luftleitblech / Air conveyor   | 4001-0158   |           |                |                |                |                |                |                |                |                |                |                |                |                |                |                |                | x              | x              | x              |   |
| ELEKTRISCHE/<br>ELEKTRONISCHE<br>KOMPONENTEN<br>ELECTRIC/ELECTRONIC<br>COMPONENTS | 410                            | Anschlusskasten Verdichter / Compressor electrical box   | Anschlusskasten Verdichter / Compressor electrical box  | 4001-0082 | x              |                |                |                |                |                |                |                |                |                |                |                |                |                |                |                |                |                |   |
|   | 410                            | Anschlusskasten Verdichter / Compressor electrical box   | Anschlusskasten Verdichter / Compressor electrical box  | 4001-0083 |                | x              |                |                |                |                |                |                |                |                | x              |                |                |                |                | x              |                |                |   |
|   | 410                            | Anschlusskasten Verdichter / Compressor electrical box   | Anschlusskasten Verdichter / Compressor electrical box  | 4001-0135 |                |                |                | x              |                |                |                |                |                |                |                |                |                |                |                |                |                |                |   |
|   | 410                            | Anschlusskasten Verdichter / Compressor electrical box   | Anschlusskasten Verdichter / Compressor electrical box  | 4001-0080 |                |                |                |                | x              |                |                |                |                |                |                |                |                |                |                |                |                |                |   |
|   | 410                            | Anschlusskasten Verdichter / Compressor electrical box   | Anschlusskasten Verdichter / Compressor electrical box  | 4001-0081 |                |                |                |                |                | x              |                |                |                |                |                |                |                | x              |                |                |                |                |   |
|   | 410                            | Anschlusskasten Verdichter / Compressor electrical box   | Anschlusskasten Verdichter / Compressor electrical box  | 4001-0136 |                |                |                |                |                |                | x              |                |                |                |                |                |                |                |                |                | x              |                |   |
|   | 410                            | Anschlusskasten Verdichter / Compressor electrical box   | Anschlusskasten Verdichter / Compressor electrical box  | 4001-0137 |                |                |                |                |                |                |                | x              |                |                |                |                |                |                |                |                |                | x              |   |
|   | 410                            | Anschlusskasten Verdichter / Compressor electrical box   | Anschlusskasten Verdichter / Compressor electrical box  | 4001-0085 |                |                |                |                |                |                |                |                | x              |                |                |                |                |                |                |                |                |                | x |
|   | 410                            | Anschlusskasten Verdichter / Compressor electrical box   | Anschlusskasten Verdichter / Compressor electrical box  | 4001-0138 |                |                |                |                |                |                |                |                |                |                |                | x              |                |                |                |                |                |                |   |
|   | 420                            | Temperaturfühler + elektrische Abtauheizung / Temperature probes + dicharg   | Raum- und Verdampferfühler + Abtauheizung / Cold room and evaporator probes +   | 4001-0139 | x              | x              | x              | x              | x              | x              | x              | x              | x              | x              | x              | x              | x              | x              | x              | x              | x              | x              | x |
| 430   | Display Kit / Display kit      | Kunststofffrontplatte + Display + Tastatur / Plastic front panel + disply + keyboard   | 4001-0009   | x         | x              | x              | x              | x              | x              | x              | x              | x              | x              | x              | x              | x              | x              | x              | x              | x              | x              | x              |   |
| KOMPONENTEN<br>SCHALTKASTEN<br>ELECTRICAL BOX<br>COMPONENTS                       | 505                            | Steuerplatine / Electronic board   | Steuerplatine mit aufgespielter Software / Electronic switch incl. software   | 4001-0003 | x              | x              | x              | x              | x              | x              | x              | x              | x              | x              | x              | x              | x              | x              | x              | x              | x              | x              |   |
|   | 510                            | KL1 - Verdichterschütz / KL1 - Compressor contactor  | KL1 - Verdichterschütz / KL1 - Compressor contactor   | 4001-0020 | x              | x              | x              | x              | x              | x              | x              | x              | x              | x              | x              | x              | x              | x              | x              | x              | x              | x              |   |
|   | 515                            | Elektrische Komponenten / Electrical Components  | Steckverbindung Display+Schmelsicherung+Klemmen / Plug connection   | 4001-0002 | x              | x              | x              | x              | x              | x              | x              | x              | x              | x              | x              | x              | x              | x              | x              | x              | x              | x              |   |
|   | 520                            | TC1 - Leistungstransformator + QM2 - Leitungsschutzschalter für TC1 - Power transformer + QM2 - magnetothermic switch for secondary load | TC1 - Leistungstransformator + QM2 - Leitungsschutzschalter für Nebenverbraucher TC1 - Power transformer + QM2 - magnetothermic switch for secondary load | 4001-0021 | x              | x              | x              | x              | x              | x              | x              | x              | x              | x              | x              | x              | x              | x              | x              | x              | x              | x              |   |
|   | 525                            | KL3 - Relais Hochdruckschalter +Sockel / KL3-Pressure switch relay+socket  | KL3 - Relais Hochdruckschalter +Sockel / KL3-Pressure switch relay+socket   | 4001-0016 | x              | x              | x              | x              | x              | x              | x              | x              | x              | x              | x              | x              | x              | x              | x              | x              | x              | x              |   |
| ZUBEHÖR<br>ACCESSORIES  | 610                            | Kühlraumlicht / Cold room light  | Kühlraumlicht / Cold room light   | 4001-0089 | x              | x              | x              | x              | x              | x              | x              | x              | x              | x              | x              | x              | x              | x              | x              | x              | x              | x              |   |
|   | 620                            | Türkontaktschalter / Door switch   | Türkontaktschalter / Door switch  | 4001-0090 | x              | x              | x              | x              | x              | x              | x              | x              | x              | x              | x              | x              | x              | x              | x              | x              | x              | x              |   |